



HY10P40

Datasheet

8-Bit RISC-like Mixed Signal Microcontroller

Embedded 24-Bit $\Sigma\Delta$ ADC

Table of Contents

1. FEATURES	5
2. PIN DEFINITION	6
2.1. Pinout I/O Description	7
2.1.1. SOP8 Package marker information	9
2.1.2. MSOP10 Package marker information	9
2.1.3. SSOP16 Package marker information	10
3. APPLICATION CIRCUIT	11
3.1. PIR application (Pyroelectric Infrared-detector)	11
3.2. Smart Pressure Sensor Application	11
4. FUNCTION OUTLINE	12
4.1. Internal Block Diagram	12
4.2. Related Description and Supporting Document	12
4.3. SD18 Network	13
5. REGISTER LIST	14
6. ELECTRICAL CHARACTERISTICS	17
6.1. Recommended Operating Conditions	17
6.2. Internal RC Oscillator	17
6.3. Supply Current into VDD Excluding Peripherals Current	19
6.4. Port 1~3	20
6.5. Reset (Brownout)	21
6.6. Power System	22
6.7. SD18, Power Supply and Recommended Operating Conditions	23

HY10P40

Embedded 24-Bit Σ ADC 8-Bit RISC-like Mixed Signal Microcontroller



6.7.1.	SD18 Performance (fSD18=250KHz).....	23
6.7.2.	SD18 Noise Performance.....	25
6.8.	Built-in EPROM (BIE).....	26
7.	ORDERING INFORMATION.....	27
8.	PACKAGE INFORMATION.....	28
8.1.	SOP8(S008).....	28
8.1.1.	Package Dimensions SOP8(150mil).....	28
8.1.2.	Tube Dimensions SOP8(150mil).....	29
8.1.3.	Tape & Reel Information.....	30
8.2.	MSOP10(M010).....	32
8.2.1.	Package Dimensions.....	32
8.2.2.	Tube Dimensions MSOP10(M010).....	33
8.2.3.	Tape & Reel Information.....	34
8.3.	SSOP16(E016).....	36
8.3.1.	Package Dimensions.....	36
8.3.2.	Tube Dimensions SSOP16(E016).....	37
8.3.3.	Tape & Reel Information.....	38
9.	REVISION RECORD.....	40

HY10P40

Embedded 24-Bit Σ ADC 8-Bit RISC-like Mixed Signal Microcontroller

Attention :

1. HYCON Technology Corp. reserves the right to change the content of this datasheet without further notice. For most up-to-date information, please constantly visit our website:
<http://www.hycontek.com> .
2. HYCON Technology Corp. is not responsible for problems caused by figures or application circuits narrated herein whose related industrial properties belong to third parties.
3. Specifications of any HYCON Technology Corp. products detailed or contained herein stipulate the performance, characteristics, and functions of the specified products in the independent state. We does not guarantee of the performance, characteristics, and functions of the specified products as placed in the customer's products or equipment. Constant and sufficient verification and evaluation is highly advised.
4. Please note the operating conditions of input voltage, output voltage and load current and ensure the IC internal power consumption does not exceed that of package tolerance. HYCON Technology Corp. assumes no responsibility for equipment failures that resulted from using products at values that exceed, even momentarily, rated values listed in products specifications of HYCON products specified herein.
5. Notwithstanding this product has built-in ESD protection circuit, please do not exert excessive static electricity to protection circuit.
6. Products specified or contained herein cannot be employed in applications which require extremely high levels of reliability, such as device or equipment affecting the human body, health/medical equipments, security systems, or any apparatus installed in aircrafts and other vehicles.
7. Despite the fact that HYCON Technology Corp. endeavors to enhance product quality as well as reliability in every possible way, failure or malfunction of semiconductor products may happen. Hence, users are strongly recommended to comply with safety design including redundancy and fire-precaution equipments to prevent any accidents and fires that may follow.
8. Use of the information described herein for other purposes and/or reproduction or copying without the permission of HYCON Technology Corp. is strictly prohibited.

1. Features

- 8-bit RISC-like, 46 high performance instructions included (H08B instruction set).
- 24-Bit $\Sigma\Delta$ ADC Analog-to-Digital Converter
 - Comb filter conversion rate up to 1.95Ksps
 - Sampling frequency: 250KHz
 - Over-sampling rate configurations: 128~32768
 - Fully differential input signal and zero adjust of measurement range
 - Signal amplification, x1/4, x1/2, x1, x2, x4, x8, x16
 - Measurement signal input: 8-ch
 - Low temp. drift
- Internal Power System
 - Built-in LDO linear power regulator, VDDA
 - ◆ Internal analog circuit or external sensor voltage source
 - ◆ 2.4V//2.7/3.0V configurable output, can use external voltage input
 - ◆ Low consumption and low temp. drift
 - Built-in reference voltage, ACM
 - ◆ Analog circuit voltage reference source (1.2V)
 - ◆ Low consumption and low temp. drift
- Timer
 - Watch Dog
 - ◆ Reset and interrupt event
 - 8-bit Timer
 - ◆ Interrupt event
 - 16-bit Timer
 - ◆ 16-Bit PWM output
 - ◆ 2 8-Bit PWM output
 - ◆ Interrupt event
- Operation Voltage and Temperature Range
 - V_{DD}: 2.2V ~ 3.6V
 - - 40°C ~ 85°C
- Operation Frequency
 - Built-in high resolution HAO oscillator 2MHz/4MHz/8MHz
 - Built-in low power oscillator, 14KHz LPO
- Memory Type
 - 2KW OTP program memory
 - 128B data memory
 - 6-layer stack
 - Built-in EPROEM
 - ◆ V_{PP} operation voltage 6.0V
 - ◆ 64W EPROM memory
- Pin Features
 - Equipped with 10mA driving power
 - Self-define function module output pin
- Reset Function
 - Power On Reset
 - Brown Out Reset
 - Watch Dog Reset
- I²C Interface

HY10P40

Embedded 24-Bit $\Sigma\Delta$ ADC
8-Bit RISC-like Mixed Signal Microcontroller

2. Pin Definition

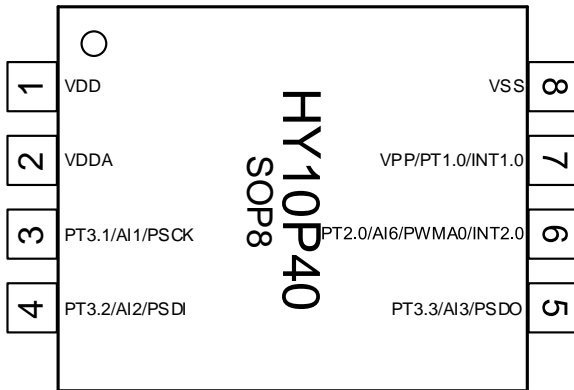


Figure 2-1 HY10P40 SOP8 Pin Diagram

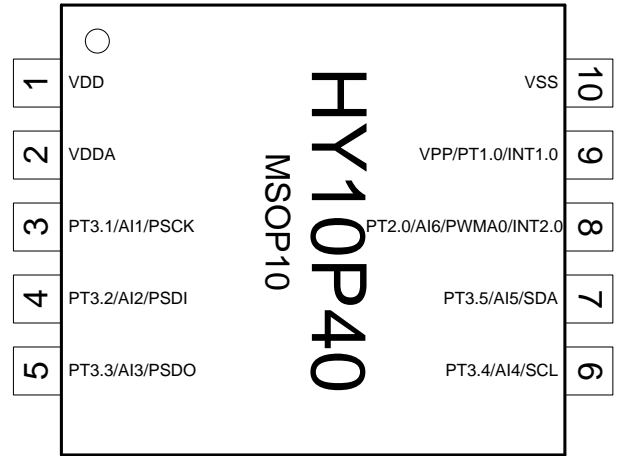


Figure 2-2 HY10P40 MSOP10 Pin Diagram

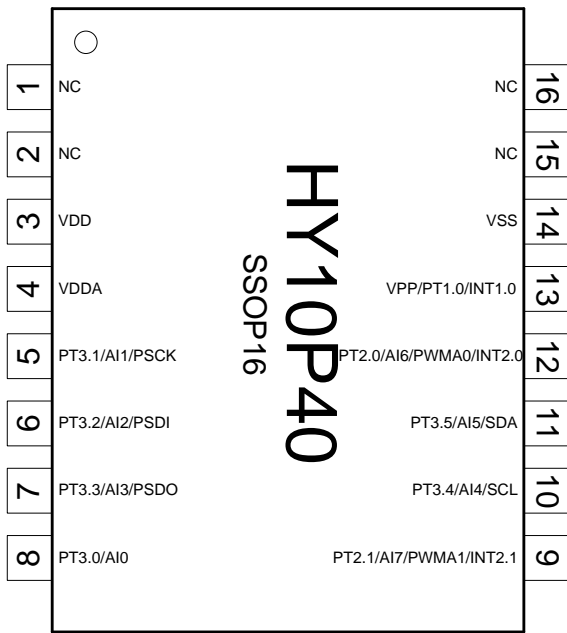


Figure 2-4 HY10P40 SSOP16 Pin Diagram

HY10P40

Embedded 24-Bit Σ ADC
8-Bit RISC-like Mixed Signal Microcontroller



2.1. Pinout I/O Description

"I": input, "O": output, "A": Analog, "S": Smith Trigger, "C": CMOS I/O, "P": Power Source, "/" or, "X": can be omitted

Package			Pin	Design		Description
SSOP16	MSOP10	SOP8		Type	Buffer	
1	-	-	NC	X	X	-
2	-	-	NC	X	X	-
3	1	1	VDD	P	P	Chip operation power source pin
4	2	2	VDDA	P	P	LDO linear regulator power output pin
5	3	3	PT3.1	I/O	S/C	Digital input/output pin
			AI1	A	A	Analog input channel
			PSCK	I	S	OTP read/write interface, PSCK pin
6	4	4	PT3.2	I/O	C	Digital input/output pin
			AI2	A	A	Analog input channel
			PSDI	I	S	OTP read/write interface, PSDI pin
7	5	5	PT3.3	I/O	C	Digital input/output pin
			AI3	A	A	Analog input channel
			PSDO	I/O	S	OTP read/write interface, PSDO pin
8	-	-	PT3.0	I/O	C	Digital input/output pin
			AI0	A	A	Analog input channel
9	-	-	PT2.1	I/O	C	Digital input/output pin
			AI7	A	A	Analog input channel
			PWMA1	O	C	PWM1 output pin of TMB1
			INT2.1	I	S	External Falling Edge Trigger Interrupt
10	6	-	PT3.4	I/O	C	Digital input/output pin
			AI4	A	A	Analog input channel
			SCL	I/O	S	I ² C communication interface
11	7	-	PT3.5	I/O	C	Digital input/output pin
			AI5	A	A	Analog input channel
			SDA	I/O	S	I ² C communication interface
12	8	6	PT2.0	I/O	C	Digital input/output pin
			AI6	A	A	Analog input channel
			PWMA0	O	C	PWM0 output pin of TMB1
			INT2.0	I	S	External Falling Edge Trigger Interrupt
13	9	7	PT1.0	I	S	Digital input
			VPP	P	P	OTP programming voltage pin
			INT0	I	S	External interrupt source

HY10P40

Embedded 24-Bit $\Sigma\Delta$ ADC

8-Bit RISC-like Mixed Signal Microcontroller

14	10	8	VSS	P	P	Chip operation power source ground pin
15	-	-	NC	X	X	-
16	-	-	NC	X	X	-

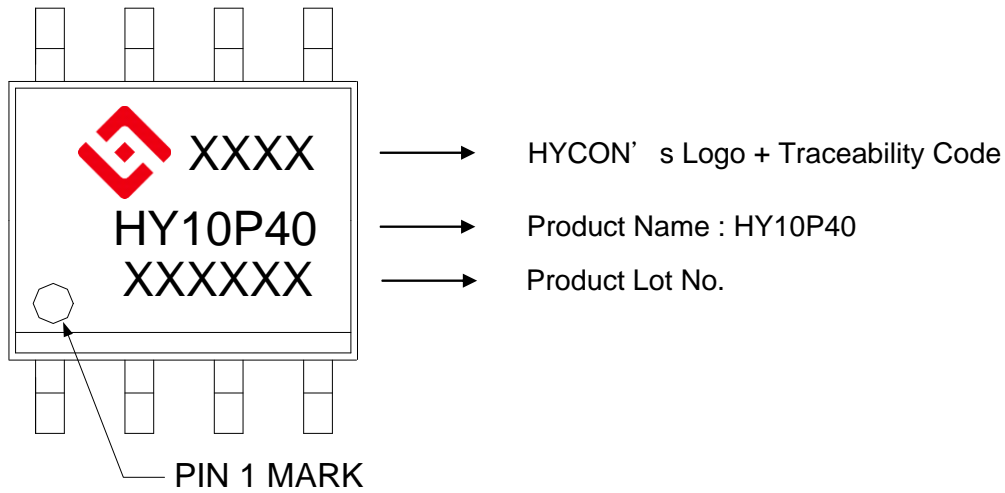
Table 2-1 Pin Definition and Function Description

HY10P40

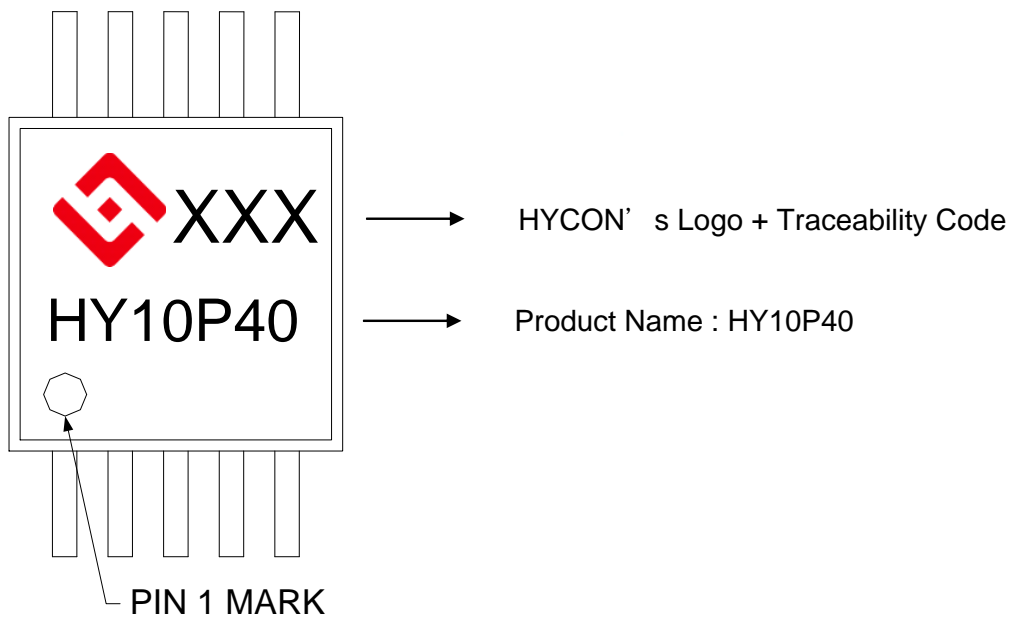
Embedded 24-Bit $\Sigma\Delta$ ADC

8-Bit RISC-like Mixed Signal Microcontroller

2.1.1. SOP8 Package marker information



2.1.2. MSOP10 Package marker information

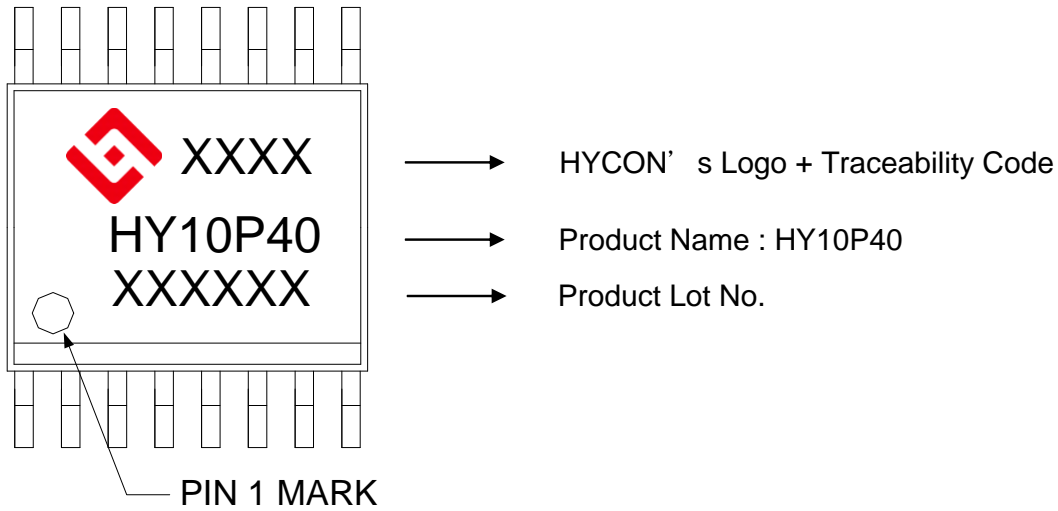


HY10P40

Embedded 24-Bit $\Sigma\Delta$ ADC

8-Bit RISC-like Mixed Signal Microcontroller

2.1.3. SSOP16 Package marker information



HY10P40

Embedded 24-Bit $\Sigma\Delta$ ADC
8-Bit RISC-like Mixed Signal Microcontroller

3. Application Circuit

3.1. PIR application (Pyroelectric Infrared-detector)

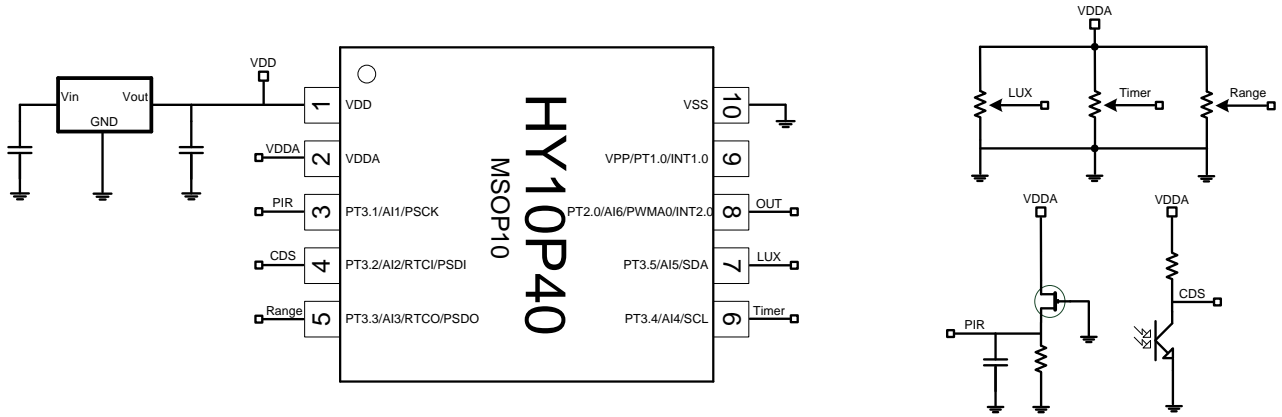


Figure 3-1 PIR Application Circuit

3.2. Smart Pressure Sensor Application

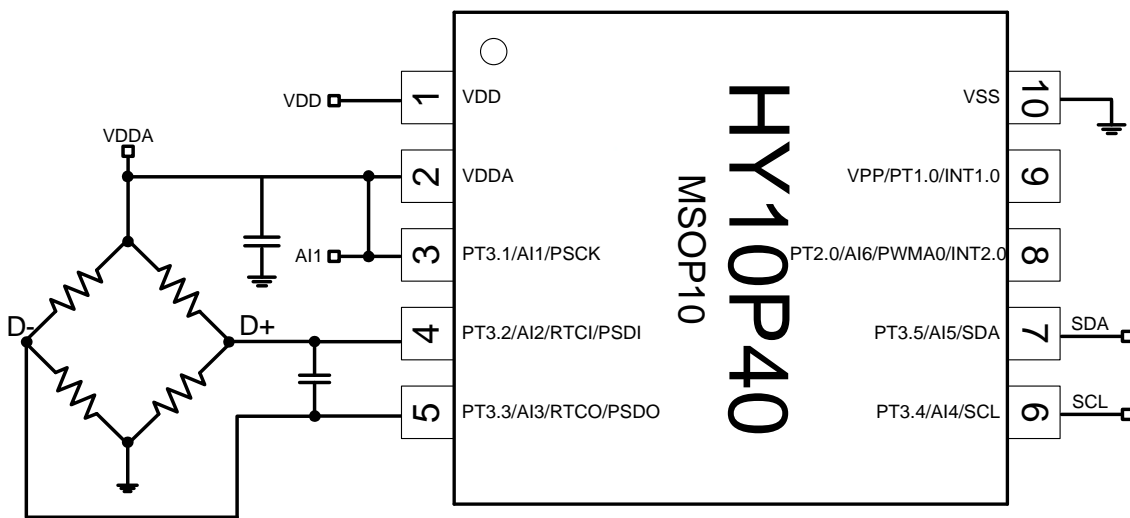


Figure 3-2 Smart Pressure Sensor Application Circuit

4. Function Outline

4.1. Internal Block Diagram

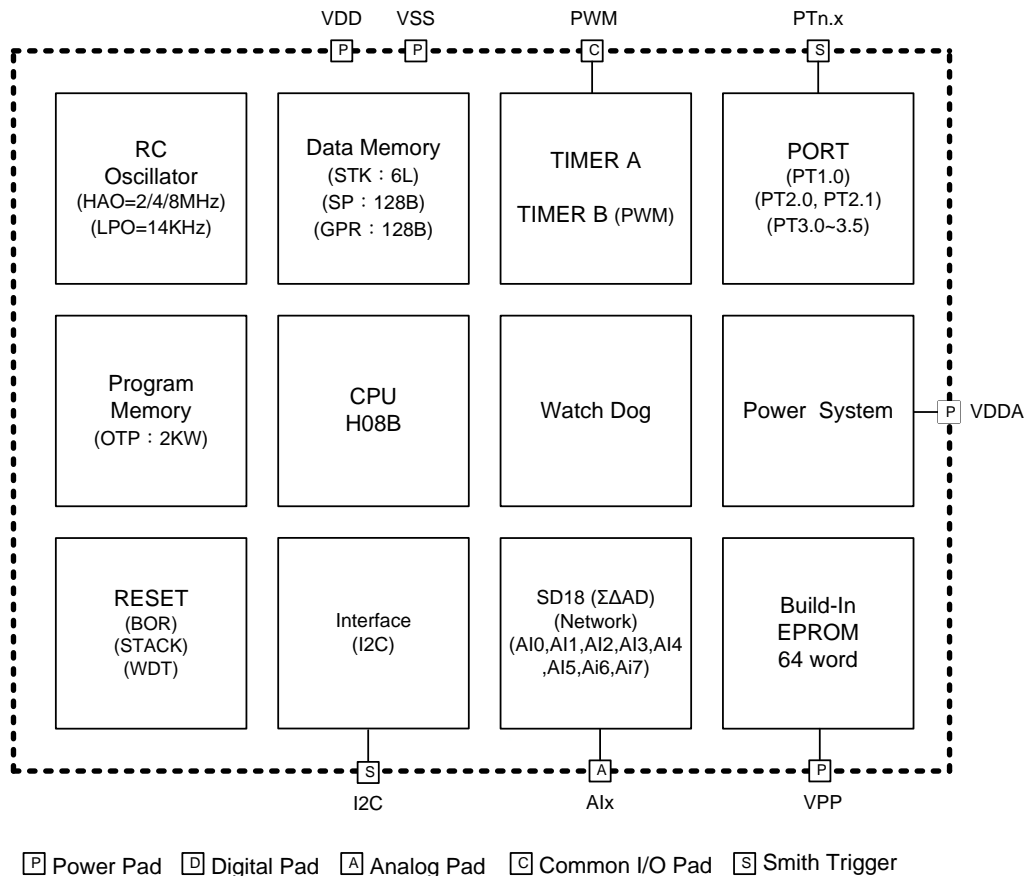


Figure 4-1 HY10P40 Internal Block Diagram

4.2. Related Description and Supporting Document

IC Function Related Operating Instruction

DS-HY10P40 HY10P40 Datasheet

UG-HY10SXX HY10Pxx Series User's Manual

APD-CORE003-Vxx H08B Instruction Description

Development Tool Related Operating Instruction

APD-HYIDE00X-Vxx HY10xxx Development Tool Software Instruction Manual

APD-HYIDE00X-Vxx HY10xxx Development Tool Hardware Instruction Manual

APD-OTP001-Vxx OTP Programming Pin Manual

Product Production Related Operating Instruction

APD-HYIDE004-Vxx HY1xxxx Series Production Tool-Programmer Hardware Instruction Manual

BDI-HY10P40-Vxx HY10P40 Bonding Information

4.3. SD18 Network

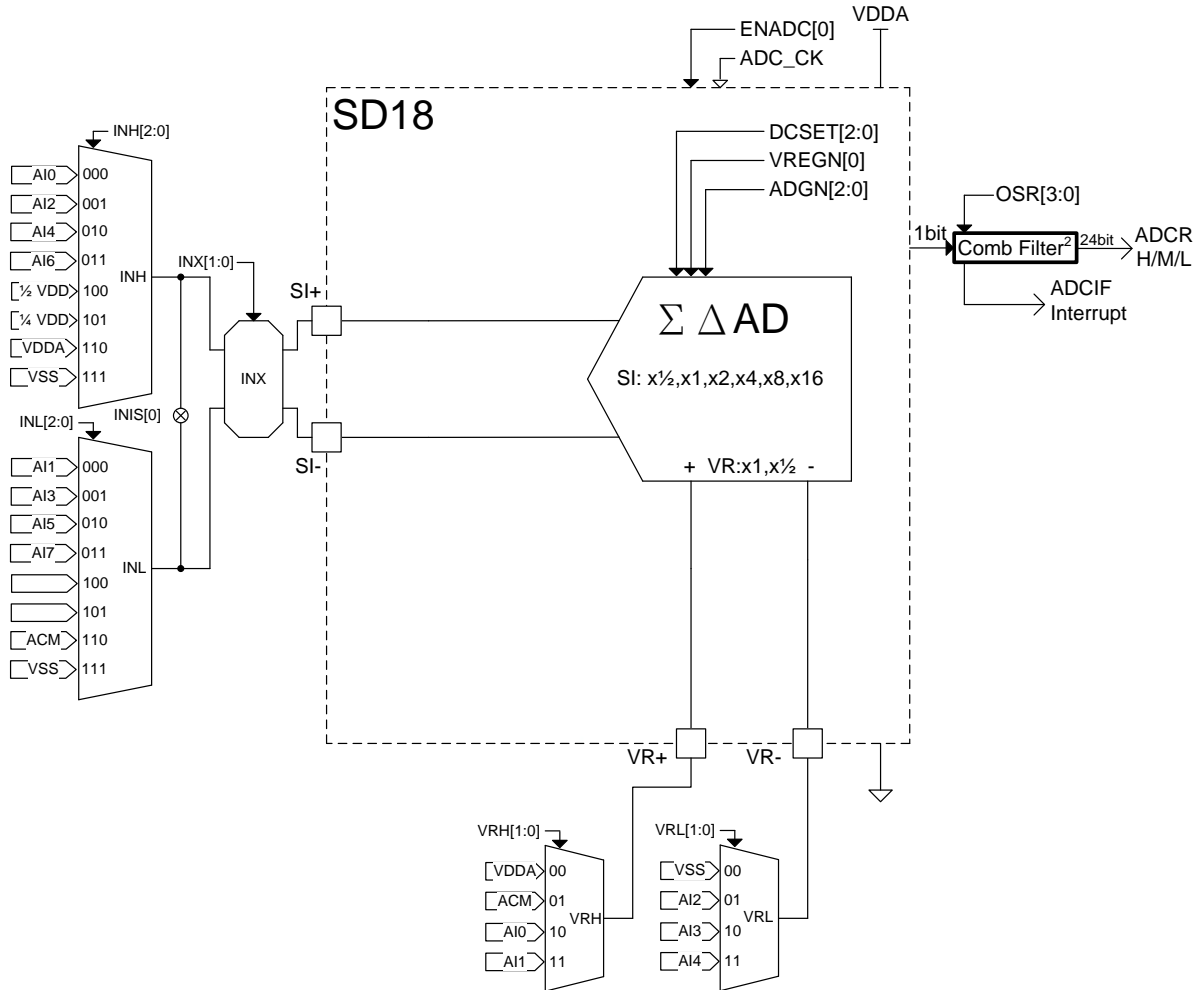


Figure 4-2 SD18 Network

HY10P40

Embedded 24-Bit ΣΔADC 8-Bit RISC-like Mixed Signal Microcontroller



5. Register List

“-”no use, “r”read/write, “w”write, “r”read, “r0”only read 0, “r1”only read 1, “w0”only write 0, “w1”only write 1
“\$”for event status, “.”unimplemented bit, “x”unknown, “u”unchanged, “d”depends on condition

位址	名稱	Bit 7	Bit 6	Bit 5	Bit 4	Bit 3	Bit 2	Bit 1	Bit 0	A-RESET	I-RESET	R/W
000h	INDF0	Contents of FSR0 to address data memory – value of FSR0 not changed								xxxx xxxx	uuuu uuuu	* ** * ** *
001h	POINC0	Contents of FSR0 to address data memory – value of FSR0 post-incremented								xxxx xxxx	uuuu uuuu	* ** * ** *
002h	PODEC0	Contents of FSR0 to address data memory – value of FSR0 post-decremented								xxxx xxxx	uuuu uuuu	* ** * ** *
003h	PRINC0	Contents of FSR0 to address data memory – value of FSR0 pre-incremented								xxxx xxxx	uuuu uuuu	* ** * ** *
004h	PLUSW0	Contents of FSR0 to address data memory – value of FSR0 offset by W								xxxx xxxx	uuuu uuuu	* ** * ** *
010H	FSR0L	Indirect Data Memory Address Pointer 0 Low Byte,FSR0[7:0]								xxxx xxxx	uuuu uuuu	* ** * ** *
016h	TOSH	-	-	-	-	-	TOS[10]	TOS[9]	TOS[8]	... xxxx	... uuuu	..-..-..* ** *
017h	TOSL	Top-of-Stack Low Byte (TOS<7:0>)								xxxx xxxx	uuuu uuuu	* ** * ** *
018h	STKPTR	SKFL	SKUN	SKOV	-	-	SKPRT[2:0]		000..000	u\$\$..\$\$	rw0,rw0,rw0,-,* ** *	
01Ah	PCLATH	-	-	-	-	-	PC[10]	PC[9]	PC[8]00000000	..-..-..* ** *
01Bh	PCLATL	PC Low Byte for PC<7:0>								0000 0000	0000 0000	* ** * ** *
023h	INTE0	GIE	ADIE	E21IE	WDTIE	TB1IE	TMAIE	E20IE	E10IE	0000 0000	0uuu uuuu	* ** * ** *
024h	INTE1	-	-	-	-	I2CERIE	I2CIE	-	-	0000 0000	uuuu uuuu	* ** * ** *
026h	INTF0	-	ADIF	E21IF	WDTIF	TB1IF	TMAIF	E20IF	E10IF	.000 0000	.uuu uuuu	* ** * ** *
027h	INTF1	-	-	-	-	I2CERIF	I2CIF	-	-	0000 0000	uuuu uuuu	* ** * ** *
029h	WREG	Working Register								xxxx xxxx	uuuu uuuu	* ** * ** *
02Bh	STATUS	-	-	-	C	-	-	-	Z	...x xxxx	...u uuuu	..-..-..* ** *
02Ch	PSTATUS	BOR	PD	TO	IDL	-	SKERR	-	-	\$000 \$00.	uu\$u u\$u.	rw0,rw0,rw0,rw0,rw0,rw0,-
02Eh	BIECN	-	-	-	-	VPPHV	-	BIEWR	BIERD	1...\$.00	1...\$.uu	r1,-,-,-r,-,* ** *
02Fh	BIEARH	ENBIE	-	-	-	-	11-bit look-up Table as BIEAH[2:0]		0...xxxx	u...uuuu	* ** * ** *	
030h	BIEARL	BIE Address Register as BIEAL[5:0] or 11-bit look-up Table as BIEAL[7:0]								xxxx xxxx	uuuu uuuu	* ** * ** *
031h	BIEDRH	BIE High Byte Data Register								xxxx xxxx	uuuu uuuu	* ** * ** *
032h	BIEDRL	BIE Low Byte Data Register								xxxx xxxx	uuuu uuuu	* ** * ** *
033h	PWRCN	ENLDO[1:0]		VDDAX[1:0]		-	-	ADRST	CSFON	0000 0000	uuuu u00u	* ** * ** *,wr0,wr0,*
034h	OSCCN0	OSCS[1:0]		DHS[1:0]		DMS[2:0]		CPUS	0000 0000	uuuu uuuu	* ** * ** *	
035h	OSCCN1	-	-	ADCS[2:0]			DTMB[1:0]		TMBS	0000 0000	uuuu uu.	* ** * ** *
036h	OSCCN2	-	-	-	-	HAOM[1:0]		ENHAO	LPO	.000 0011	.uuu uu11	..* ** * ** *,r
037h	WDTCN	-	-	-	-	ENWDT	DWDWT[2:0]		0000 0000	uuuu \$000	..* ** * ** *,rw1,* ** *	
038h	TMACN	ENTMA	TMACL	TMAS	DTMA[2:0]		-	-	0000 00..	u0uu uu..	* ** *,rw1,* ** *,* ** *	
039h	TMAR	TMA counter Register								0000 0000	uuuu uuuu	rw0,rw0,rw0,rw0,rw0,rw0,rw0
041h	CSFCN0	SKRST	-	HAOTR[5:0]					0.10 0000	u.uu uuuu	* ** * ** *	
043h	ADCRH	ADC conversion memory HighByte								xxxx xxxx	uuuu uuuu	r,r,r,r,r,r,r,r
044h	ADCRM	ADC conversion memory Middle Byte								xxxx xxxx	uuuu uuuu	r,r,r,r,r,r,r,r

HY10P40

Embedded 24-Bit ΣΔADC 8-Bit RISC-like Mixed Signal Microcontroller



045h	ADCR	ADC conversion memory Low Byte								xxxx xxxx	uuuu uuuu	r,r,r,r,r,r,r,r
046h	ADCCN1	ENADC	ENHIGN	ENCHP	-	-	ADGN[2:0]			0000 0000	0000 0000	* * * * *
047h	ADCCN2	-	-	-	-	VREGN	DCSET[2:0]		 0000 0000 * * * * *
048h	ADCCN3	OSR[3:0]				-	-	-	-	000...0.	000...0.	* * * * *
049h	AINET1	INH[2:0]			INL[2:0]			INIS	-	0000 000.	0000 000.	* * * * *
04Ah	AINET2	-	VRH[1:0]		INX[1:0]		VRL[1:0]		-	.000 000.	.000 000. * * * * *
04Eh	TB1Flag	-	-	PWM6A	PWM5A	PWM4A	PWM3A	PWM2A	PWM1A	..00 0000	..uu uuuu * * * * *
04Fh	TB1CN0	ENTB1	TB1M[1:0]		TB1RT[1:0]		TB1CL	-	-	0000 0000	uuuu u0uu	* * * * *,rw1,*
050h	TB1CN1	PA1IV	PWMA1[2:0]			PA0IV	PWMA0[2:0]			0000 0000	uuuu uuuu	* * * * *
051h	TB1RH	TimerB1 counter Register [15:8]								xxxx xxxx	uuuu uuuu	r,r,r,r,r,r,r,r
052h	TB1RL	TimerB1 counter Register [7:0]								xxxx xxxx	uuuu uuuu	r,r,r,r,r,r,r,r
053h	TB1C0H	TimerB1 counter Condition Register [15:8]								xxxx xxxx	uuuu uuuu	* * * * *
054h	TB1C0L	TimerB1 counter Condition Register [7:0]								xxxx xxxx	uuuu uuuu	* * * * *
055h	TB1C1H	TimerB1 counter Condition Register [15:8]								xxxx xxxx	uuuu uuuu	* * * * *
056h	TB1C1L	TimerB1 counter Condition Register [7:0]								xxxx xxxx	uuuu uuuu	* * * * *
057h	TB1C2H	TimerB1 counter Condition Register [15:8]								xxxx xxxx	uuuu uuuu	* * * * *
058h	TB1C2L	TimerB1 counter Condition Register [7:0]								xxxx xxxx	uuuu uuuu	* * * * *
061h	CFG	Rsv.					I2CRST	ENI2CT	ENI2C 0000 uuuu * * * * *
062h	ACT	SLAVE	-	-	I2CER	START	STOP	I2CINT	ACK	0000 0000	uuuu uuuu	* * * * *
063h	STA	MACTF	SACTF	RDBF	RWF	DFF	ACKF	GCF	ARBF	0001 0000	uuuu uuuu	* * * * *
064h	CRG	CRG[7:0]								0000 0000	uuuu uuuu	* * * * *
065h	TOC	I2CTF	DI2C[2:0]			I2CTLT[3:0]			0000 0000	uuuu uuuu	* * * * *	
066h	RDB	RDB[7:1]							RDB[0]	xxxx xxxx	uuuu uuuu	* * * * *
067h	TDB0	TDB0[7:1]							TDB[0]	xxxx xxxx	uuuu uuuu	* * * * *
068h	SID0	SID[7:1],The corresponding address of the 7-bit mode							SIDV[0]	0000 0000	uuuu uuuu	* * * * *
070h	PT1	-	-	-	-	-	-	-	PT10	xx...xx	xx...xx	* * * * *
071h	TRISC1	-	-	-	-	-	-	-	-	0000 0000	uuuu uuuu	* * * * *
072h	PT1DA	-	-	-	-	-	-	-	-	0000 0000	uuuu uuuu * * * * *
073h	PT1PU	-	-	-	-	-	-	-	-	0000 0000	uuuu uuuu	* * * * *
074h	PT1EG	-	-	FPWMA1	FPWMA0	-	-	EOEG[1:0]	 0000 uuuu * * * * *
075h	PT2	-	-	-	-	-	-	PT21	PT20 xx xx * * * * *
076h	TRISC2	-	-	-	-	-	-	TC21	TC20 00 uu * * * * *
077h	PT2DA	-	-	-	-	-	-	DA21	DA20 00 uu * * * * *
078h	PT2PU	-	-	-	-	-	-	PU21	PU20 00 uu * * * * *
079h	PT3	-	-	PT35	PT34	PT33	PT32	PT31	PT30	..xx xxxx	..xx xxxx * * * * *
07Ah	TRISC3	-	-	TC35	TC34	TC33	TC32	TC31	TC30	..00 0000	..uu uuuu * * * * *
07Bh	PT3DA	-	-	DA35	DA34	DA33	DA32	DA31	DA30	..00 0000	..uu uuuu * * * * *

HY10P40

Embedded 24-Bit ΣΔADC

8-Bit RISC-like Mixed Signal Microcontroller



07Ch	PT3PU	-	-	PU35	PU34	PU33	PU32	PU31	PU30	..00 0000	..uu uuuu	..*.*.*.*.*
080h – 0FFh	GPR0	General Purpose Register as 128Byte								uuuu uuuu	uuuu uuuu	*.*.*.*.*

6. Electrical Characteristics

6.1. Recommended Operating Conditions

T_A = -40°C ~ 85°C , unless otherwise noted

Sym.	Parameter	Test Conditions	Min.	Typ.	Max.	Unit
V _{REGVSS}	Supply Voltage	Connect to VSS	0		0	
V _{DD}	Supply Voltage	All digital peripherals and CPU	2.2		3.6	V
		Analog peripherals	2.4		3.6	
V _{SS}	Supply Voltage		0		0	

6.2. Internal RC Oscillator

T_A = 25°C, V_{DD} = 3.0V, unless otherwise noted

Sym.	Parameter	Test Conditions	Min.	Typ.	Max.	Unit
HAO(2.0MHz)	High Speed Oscillator frequency	ENHAO[0]=1	1.8	2.0	2.2	MHz
HAO(3.8MHz)	High Speed Oscillator frequency		3.42	3.8	4.18	MHz
HAO(7.0MHz)	High Speed Oscillator frequency		6.3	7.0	7.7	MHz
LPO	Low Power Oscillator frequency	V _{DD} supply voltage be enable LPO		14		KHz

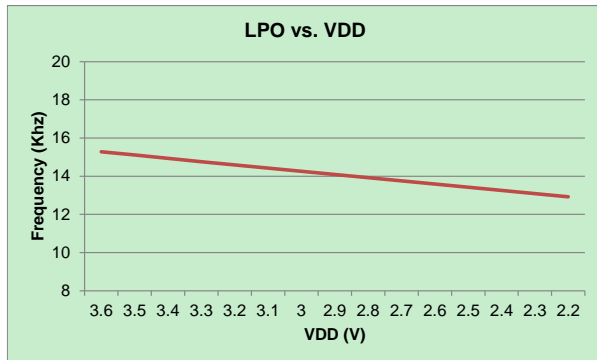


Figure 6.2-1 LPO vs. VDD

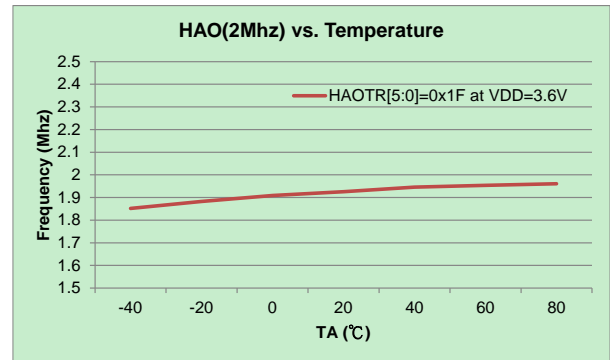


Figure 6.2-3 HAO(2.0MHz) vs. Temperature

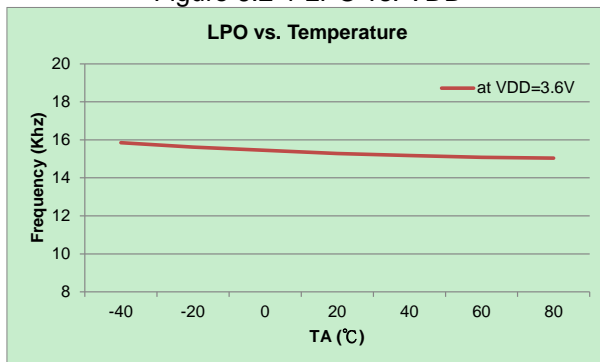


Figure 6.2-2 LPO vs. Temperature

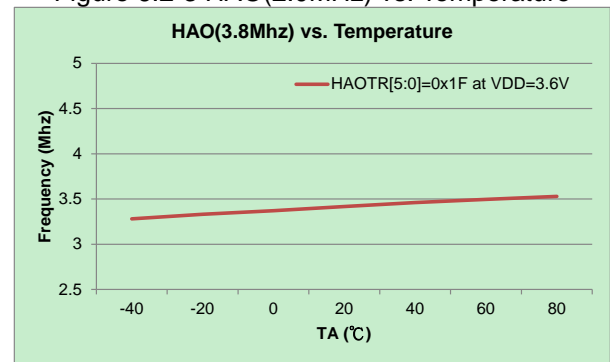


Figure 6.2-4 HAO(3.8MHz) vs. Temperature

HY10P40

Embedded 24-Bit $\Sigma\Delta$ ADC

8-Bit RISC-like Mixed Signal Microcontroller

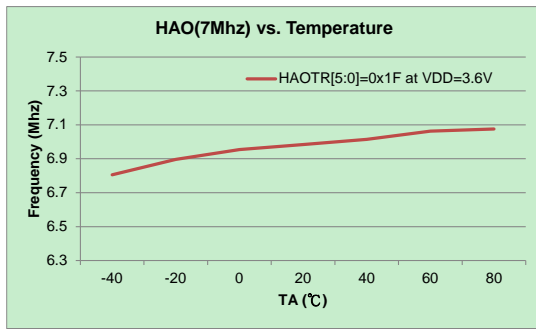


Figure 6.2-5 HAO(7.0MHz) vs. Temperature

6.3. Supply Current into VDD Excluding Peripherals Current

$T_A = 25^\circ\text{C}, V_{DD} = 3.0\text{V}, \text{OSC_LPO} = 14\text{KHz}$, unless otherwise noted

Sym.	Parameter	Test Conditions	Min.	Typ.	Max.	Unit
I _{AM1}	Active mode 1	OSC_CY = off, OSC_HAO = 8MHz, CPU_CK = 8MHz		0.78		mA
I _{AM2}	Active mode 2	OSC_CY = off, OSC_HAO = 4MHz, CPU_CK = 4MHz		0.43		mA
I _{AM3}	Active mode 3	OSC_CY = off, OSC_HAO = 2MHz, CPU_CK = 2MHz		0.24		mA
I _{AM4}	Active mode 4	OSC_CY = off, OSC_HAO = 2MHz, CPU_CK = 1MHz		0.14		mA
I _{LP1}	Low Power 1	OSC_CY = off, OSC_HAO = off, CPU_CK = LPO,		2.5		uA
I _{LP2}	Low Power 2	OSC_CY = off, OSC_HAO = off, CPU_CK = LPO, Idle state		1.2		uA
I _{LP3}	Low Power 3	OSC_CY = off, OSC_HAO = off, CPU_CK = off, Sleep state		0.6		uA

OSC_HAO : Internal High Accuracy Oscillator frequency.

CPU_CK : CPU core work frequency.

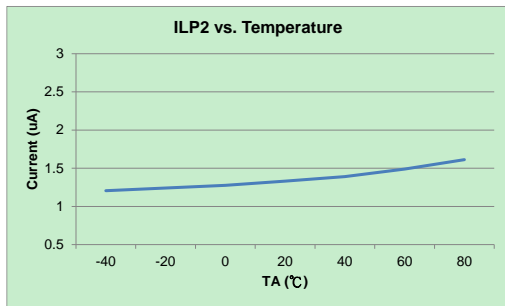


Figure 6.3-1 ILP2 vs. Temperature

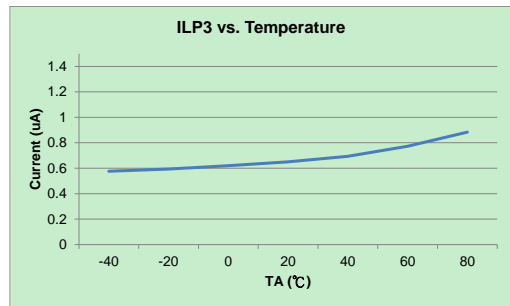


Figure 6.3-2 ILP3 vs. Temperature

HY10P40

Embedded 24-Bit $\Sigma\Delta$ ADC
8-Bit RISC-like Mixed Signal Microcontroller

6.4. Port 1~3

$T_A = 25^\circ\text{C}$, $V_{DD} = 3.0\text{V}$, unless otherwise noted

Sym.	Parameter	Test Conditions	Min.	Typ.	Max.	Unit
Input voltage and Schmitt trigger and leakage current and timing						
V_{IH}	High-Level input voltage		$0.7 \cdot V_{DD}$		V_{DD}	V
V_{IL}	Low-Level input voltage		V_{SS}		$0.3 \cdot V_{DD}$	
V_{hys}	Input Voltage hysteresis($V_{IH} - V_{IL}$)			0.8		V
I_{LKG}	Leakage Current				0.1	μA
R_{PU}	Port pull high resistance			180		$\text{k}\Omega$
Output voltage and current and frequency						
V_{OH}	High-level output voltage	$I_{OH}=10\text{mA}$	$V_{DD} - 0.3$			V
V_{OL}	Low-level output voltage	$I_{OL}=-10\text{mA}$			$V_{SS} + 0.3$	

6.5. Reset (Brownout)

$T_A = 25^\circ\text{C}, V_{DD} = 3.0\text{V}$, unless otherwise noted

Sym.	Parameter	Test Conditions	Min.	Typ.	Max.	Unit
BOR	Pulse length needed to accepted reset internally, t_{d-LVR}		2			μs
	V_{DD} Start Voltage to accepted reset internally (L \rightarrow H), V_{LVR}		1.6	1.85	2.1	V
	Hysteresis, $V_{HYS-LVR}$			70		mV

BOR : Brownout Reset
 LVR : Low Voltage Reset of BOR

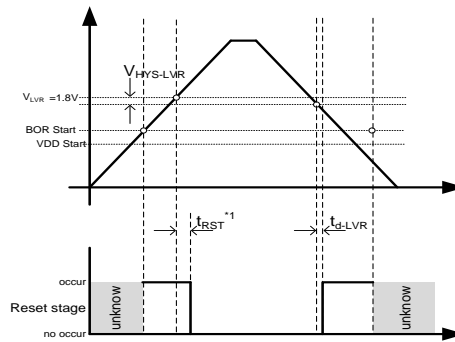


Figure 6.5-1 BOR Reset Diagram

*1 rRST : Please see BOR Introduce of HY10Pxx series User’s Guide (UG-HY10S00-Vxx).

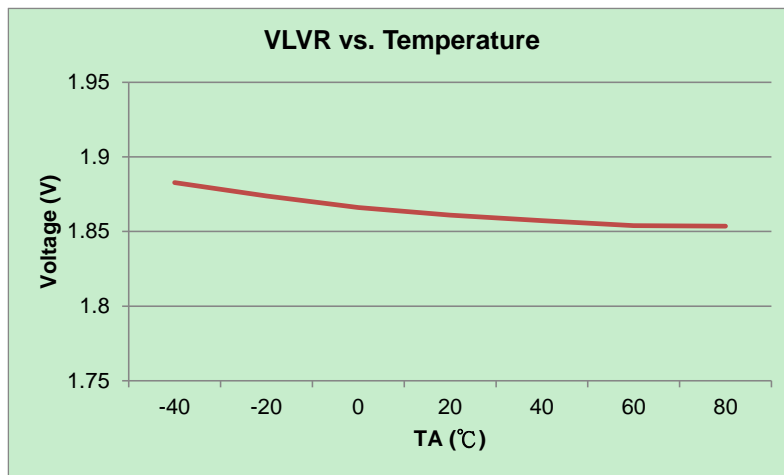


Figure 6.5-3 LVR vs. Temperature

HY10P40

Embedded 24-Bit $\Sigma\Delta$ ADC
8-Bit RISC-like Mixed Signal Microcontroller



6.6. Power System

TA = 25°C, VDD = 3.0V, unless otherwise noted

Sym.	Parameter	Test Conditions		Min.	Typ.	Max.	Unit	
VDDA	VDDA operation current, I _{VDDA}	I _L = 0mA	ENLDO[1:0]=11b		13		uA	
	Select VDDA output voltage	I _L = 0.1mA, VDD ≥ VDDA+0.2V	VDDAX[1:0]=01b		3.0		V	
			VDDAX[1:0]=10b		2.7			
			VDDAX[1:0]=11b		2.4			
	Dropout voltage	I _L = 10mA	VDDAX[1:0]=01b			150		mV
			VDDAX[1:0]=10b			165		
VDDAX[1:0]=11b					180			
Temperature drift	ENLDO[1:0]=11b,	T _A =-40°C~85°C		50		ppm/°C		
V _{DD} Voltage drift	I _L = 0.1mA	V _{DD} =2.5V~3.6V		±0.2		%/V		
ACM	Analog Common Mode Voltage, V _{ACM}	ENADC[0]=1	I _L = 0uA		1.2		V	
	Analog Common Mode Voltage with Load			I _L = ±200uA	0.98	1.02	V _{ACM}	
	Temperature drift	ENADC[0]=1,	T _A =-40°C~85°C		50		ppm/°C	
	VDDA Voltage drift	I _L = 10uA			100		uV/V	

VDDA : Adjust Voltage Regulator
ACM : Analog Common Mode Voltage

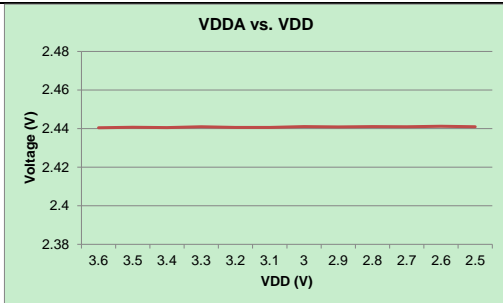


Figure 6.6-1 VDDA vs. VDD

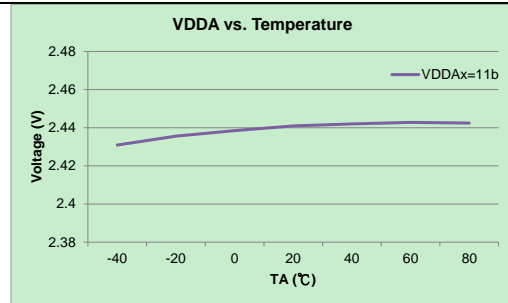


Figure 6.6-2 VDDA vs. Temperature

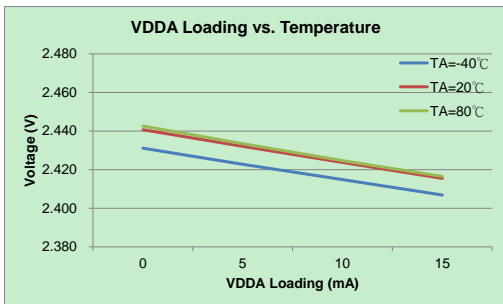


Figure 6.6-3 VDDA Loading vs. Temperature

HY10P40

Embedded 24-Bit $\Sigma\Delta$ ADC 8-Bit RISC-like Mixed Signal Microcontroller

6.7. SD18, Power Supply and Recommended Operating Conditions

$T_A = 25^\circ\text{C}, V_{DD} = 3.0\text{V}, V_{DDA}=2.4\text{V}$, unless otherwise noted

Sym.	Parameter	Test Conditions		Min.	Typ.	Max.	Unit
V_{SD18}	Supply Voltage at VDDA	ENVDDA[0]=0		2.4		3.6	V
f_{SD18}	Modulator sample frequency, ADC_CK			25	250	300	KHz
	Over Sample Ratio, OSR			128 ^{*1}		32768	
I_{SD18}	Operation supply current without PGA	ENADC[0]=1	GAIN =4, ADC_CK=250KHz		120		uA
<p>*1, OSR=128, setting by ADCCN3[OSR[3]] bit. OSR[3:0]=1010, OSR=128; OSR[3:0]=0xxx, OSR=256 ~ 32768</p>							

6.7.1. SD18 Performance ($f_{SD18}=250\text{KHz}$)

$T_A = 25^\circ\text{C}, V_{DD} = 3.0\text{V}, V_{DDA}=3.0\text{V}, V_{VR}=1.0\text{V}, \text{GAIN}=1$ without PGA, unless otherwise noted

Sym.	Parameter	Test Conditions		Min.	Typ.	Max.	Unit
INL	Integral Nonlinearity(INL)	$V_{DDA}=2.4\text{V}, V_{VR}=1.0\text{V}, \Delta\text{SI}=\pm 450\text{mV}$			± 0.003	± 0.01	%FSR
	No Missing Codes ³	ADC_CK=250KHz, OSR[2:0]=010b		23			Bits
G_{SD18}	Temperature drift Gain 1~x16		$T_A = -40^\circ\text{C} \sim 85^\circ\text{C}$		5		ppm/ $^\circ\text{C}$
E_{OS}	Offset error of Full Scale Rang input voltage range with Chopper without PGA	$\Delta\text{AI}=0\text{V}$ $\Delta\text{VR}=0.9\text{V}$	Gain=2			1	%FSR
	Offset temperature drift with chopper without PGA	DCSET[2:0]=<000> * ΔAI is external short	GAIN=1		2		uV/ $^\circ\text{C}$
			GAIN=2		1		
			GAIN=4		0.5		
GAIN=16		0.15					
CM_{SD18}	Common-mode rejection	$V_{CM}=0.7\text{V}$ to 1.7V, $V_{VR}=1.0\text{V}$, without PGA	$V_{SI}=0\text{V}$, GAIN=1		90		dB
		$V_{CM}=0.7\text{V}$ to 1.7V, $V_{VR}=1.0\text{V}$,	$V_{SI}=0\text{V}$, GAIN=16		75		
PSRR	DC power supply rejection	$V_{DDA}=3.0\text{V}, \Delta V_{DDA}=\pm 100\text{mV}$, $V_{VR}=1.0\text{V}, V_{SI}=V_{SL}=1.2\text{V}$,	GAIN=1 PGA=off		75		dB
			GAIN=16				

HY10P40

Embedded 24-Bit $\Sigma\Delta$ ADC

8-Bit RISC-like Mixed Signal Microcontroller

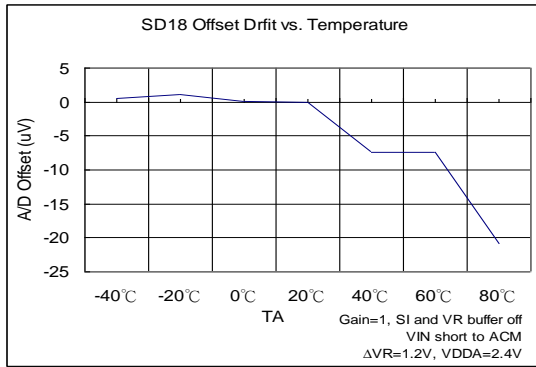


Figure 6.7-1(a) SD18 Offset Temperature Drift

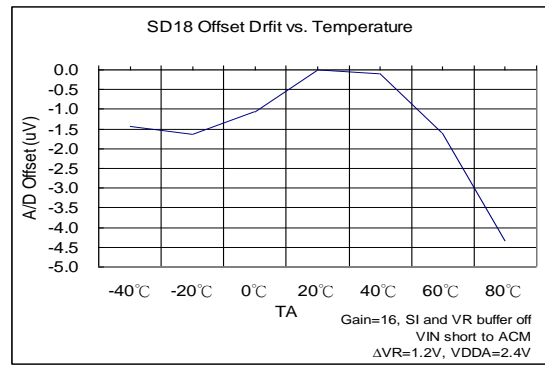


Figure 6.7-1(b) SD18 Offset Temperature Drift

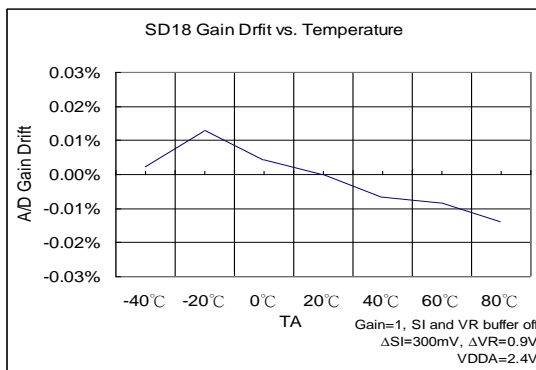


Figure 6.7-2(a) SD18 Gain Drift with Temperature

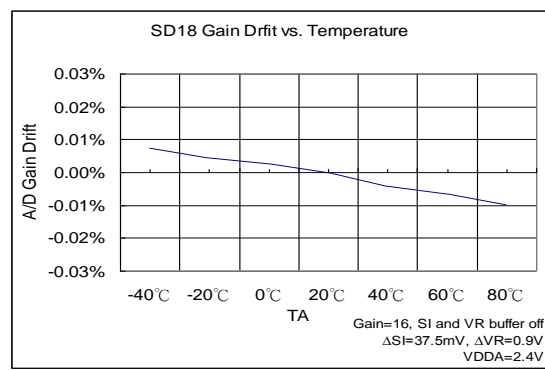


Figure 6.7-2(b) SD18 Gain Drift with Temperature

6.7.2. SD18 Noise Performance

$T_A = 25^\circ\text{C}, V_{DD} = 3.0\text{V}, V_{DDA} = 2.4\text{V}$, unless otherwise noted

HY10P40 provides important input noise specifications for SD18. Below tables list out the relations of typical noise specification, Gain, Output rate and maximum input voltage of single end. Test conditions: external input signal short, ADC voltage reference using external VDDA and VSS as voltage reference network, referred voltage reference: 1.2V and 1024 records were sampled.

ENOB(RMS) with OSR/GAIN at A/D Clock=250Khz, VDDA=2.4V, VREF=1.2V														
Max. Vin(mV) =0.9*VREF ⁽¹⁾	OSR					128	256	512	1024	2048	4096	8192	16384	32768
	Output rate(HZ)					1953	977	488	244	122	61	31	15	8
	Gain	=	PGA	x	ADGN									
±2160	0.5	=	1	x	0.5	14.39	16.14	16.96	17.27	17.44	17.66	18.08	19.52	19.73
±1080	1	=	1	x	1	14.38	16.04	16.85	17.18	17.42	17.76	18.89	19.85	20.22
±540	2	=	1	x	2	14.4	16.01	16.79	17.03	17.31	17.53	18.02	19.55	20.1
±270	4	=	1	x	4	14.42	15.91	16.57	16.94	17.14	17.39	17.69	18.61	19.81
±135	8	=	1	x	8	14.34	15.66	16.24	16.64	17.01	17.4	17.99	19.05	19.52
±68	16	=	1	x	16	14.22	15.3	15.88	16.34	16.85	17.41	17.85	18.53	19.01

(1) Max. Vin (mV) is the max. input voltage of single end to ground (VSS).

Table 6.7-4(a) SD18 ENOB Table

RMS Noise(uV) with OSR/GAIN at A/D Clock=250Khz, VDDA=2.4V, VREF=1.2V														
Max. Vin(mV) =0.9*VREF	OSR					128	256	512	1024	2048	4096	8192	16384	32768
	Output rate(HZ)					1953	977	488	244	122	61	31	15	8
	Gain	=	PGA	x	ADGN									
±2160	0.5	=	1	x	0.5	226.11	67.48	38.23	30.84	27.40	23.43	17.59	6.46	5.58
±1080	1	=	1	x	1	113.68	36.14	20.60	16.42	13.86	10.94	5.00	2.58	1.99
±540	2	=	1	x	2	56.28	18.46	10.69	9.06	7.49	6.40	4.58	1.58	1.09
±270	4	=	1	x	4	27.72	9.85	6.25	4.82	4.20	3.53	2.88	1.52	0.66
±135	8	=	1	x	8	14.67	5.85	3.92	2.98	2.30	1.75	1.17	0.56	0.40
±68	16	=	1	x	16	7.95	3.76	2.52	1.83	1.29	0.87	0.64	0.40	0.29

Table 6.7-4(b) SD18 RMS Noise Table

The RMS noise are referred to the input. The Effective Number of Bits (ENOB(RMS Bit)) is defined as:

$$\text{ENOB(RMS)} = \frac{\ln\left(\frac{\text{FSR}}{\text{RMS Noise}}\right)}{\ln(2)}$$

$$\text{RMS Noise} = \frac{\left(2 \times \text{VREF} \times \sqrt{\sum_{k=1}^{1024} (\text{ADO}[k] - \text{Average})^2}\right)}{2^{23}}$$

Where FSR (Full - Scale Range) = $2 \times \text{VREF}/\text{Gain}$.

$$\text{Average} = \frac{\sum_{k=1}^{1024} (\text{ADO}[k])}{1024}$$

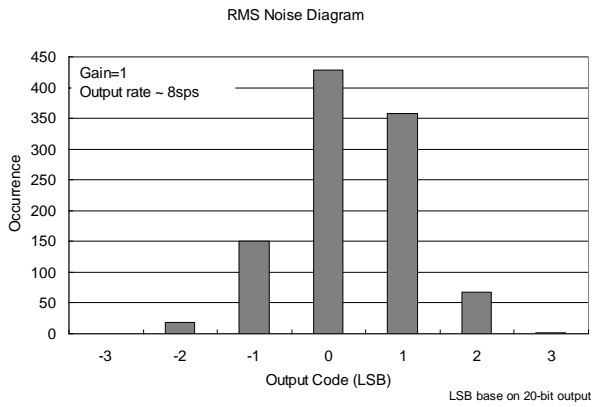


Figure 6.7-4(a) RMS Noise Diagram

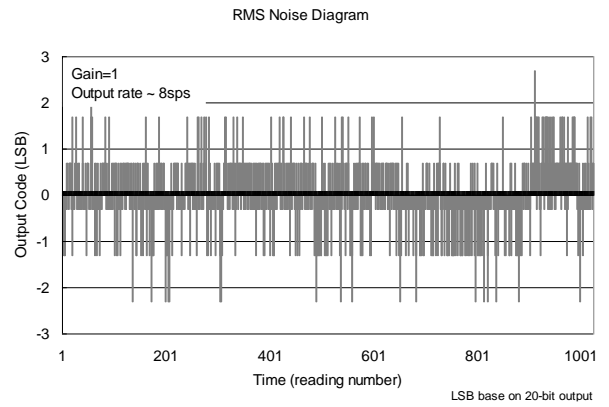


Figure 6.7-4(b) Output Code Diagram

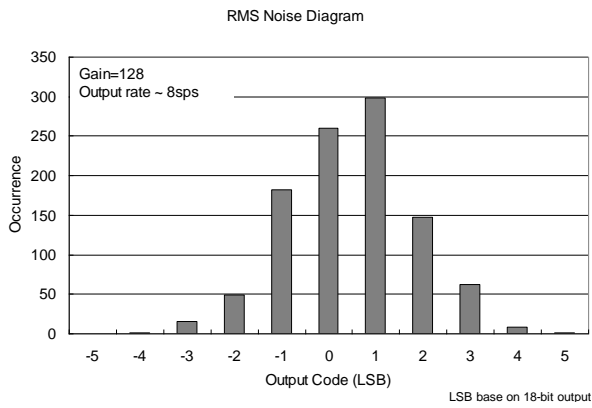


Figure 6.7-4(c) RMS Noise Diagram (Gain=16)

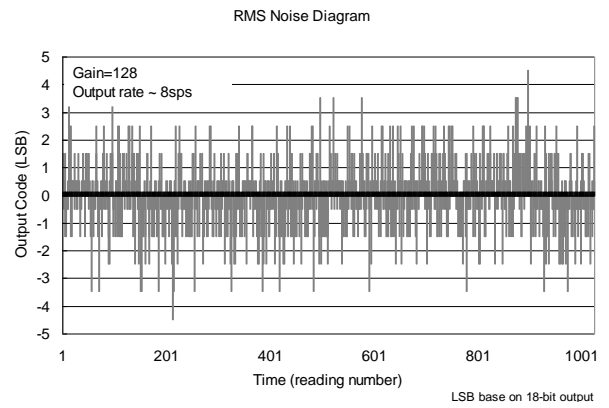


Figure 6.7-4(d) Output Code Diagram (Gain=16)

6.8. Built-in EPROM (BIE)

$T_A = 25^\circ\text{C}, V_{DD} = 3.0\text{V}$, unless otherwise noted

Sym.	Parameter	Test Conditions	Min.	Typ.	Max.	Unit
V_{BIE}	Supply Voltage			6.0	6.5	V
I_{BIE}	Operation supply current			5		mA
V_{SS}	Supply Voltage			0		V

HY10P40

Embedded 24-Bit ΣΔADC
8-Bit RISC-like Mixed Signal Microcontroller

7. Ordering Information

Device No. ¹	Package Type	Pins	Package Drawing		Programming Code ²	Shipment Packing Type	Unit Q'ty	Material Composition	MSL ³
HY10P40-D000	Die	-	D	000	000	-	250	Green ⁴	-
HY10P40-S008	SOP	8	S	008	000	Tube	100	Green ⁴	MSL-3
HY10P40-S008	SOP	8	S	008	000	Tape & Reel	2500	Green ⁴	MSL-3
HY10P40-M010	MSOP	10	M	010	000	Tube	80	Green ⁴	MSL-3
HY10P40-M010	MSOP	10	M	010	000	Tape & Reel	3000	Green ⁴	MSL-3
HY10P40-E016	SSOP	16	E	016	000	Tube	100	Green ⁴	MSL-3
HY10P40-E016	SSOP	16	E	016	000	Tape & Reel	2500	Green ⁴	MSL-3

¹ Device No.: Model No. – Package Type Description – Code

(Blank Code/ Standard/ Customized Programming Code)

Ex : Your customized programming code is 007, IC model no. is HY10P40 and you require die shipment.

The ordering device no. will be HY10P40-D000-007

Ex : You request blank code in die package, IC model no. is HY10P40.

The ordering device no. will be HY10P40-D000

Ex : You request IC model no. is HY10P40, blank code in SSOP16 package.

The ordering device no. will be HY10P40-E016. If you required the shipment to be packed in Tape & Reel, then please remark the shipment packing type as Tape & Reel.

Ex : Your customized programming code is 008 and you require products in SOP8. The ordering device no. will be HY10P40-S008-008. If you required the shipment to be packed in Tape & Reel, then please remark the shipment packing type as Tape & Reel.

Ex : Your customized programming code is 009 and you require products in MSOP10. The ordering device no. will be HY10P40-M010-009. If you required the shipment to be packed in Tube, then please remark the shipment packing type as Tube.

² Programming Code:

“001”~“999” is standard or customized programming code. Blank code does not have these numbers.

³ MSL:

The Moisture Sensitivity Level ranking conforms to IPC/JEDEC J-STD-020 industry standard categorization. The products are processed, packed, transported and used with reference to IPC/JEDEC J-STD-033.

⁴ Green (RoHS & no Cl/Br):

HYCON products are Green products that are compliant with RoHS directive, SVHC under REACH and Halogen free.

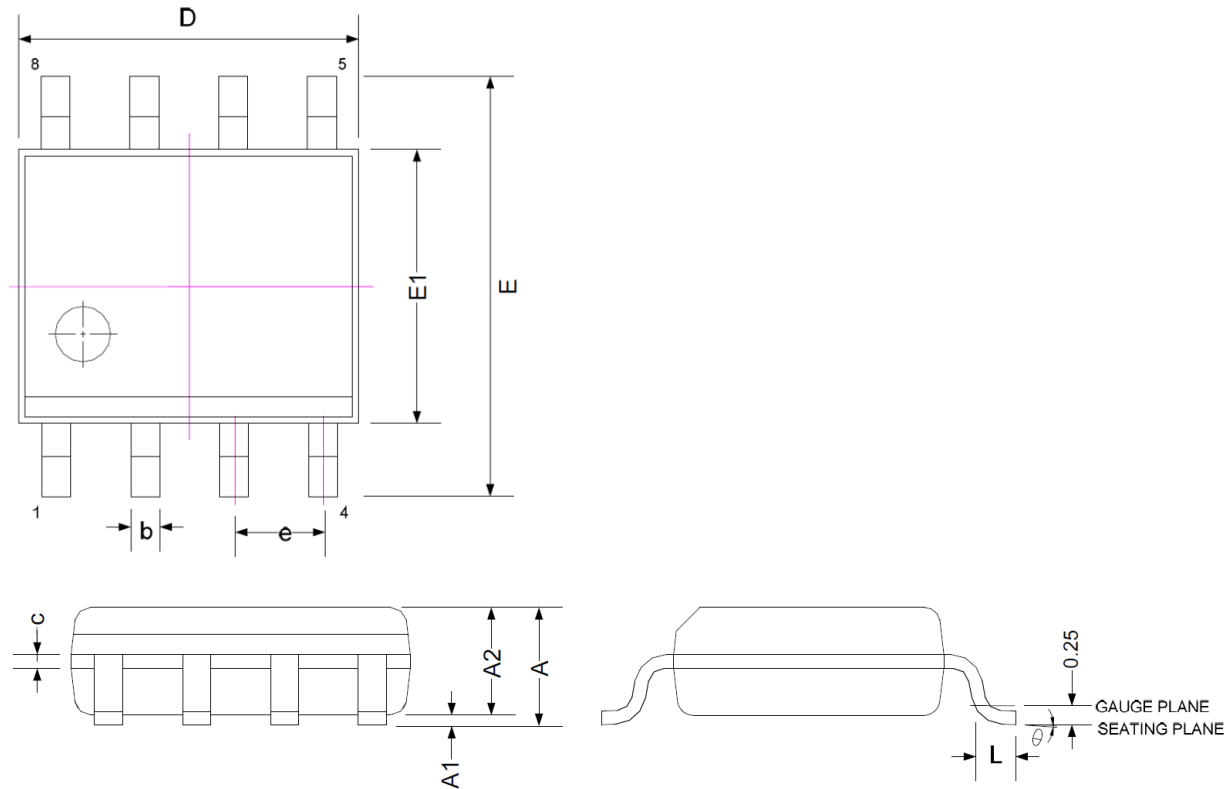
HY10P40

Embedded 24-Bit $\Sigma\Delta$ ADC
8-Bit RISC-like Mixed Signal Microcontroller

8. Package Information

8.1. SOP8(S008)

8.1.1. Package Dimensions SOP8(150mil)



SYMBOLS	MIN	NOM	MAX
A	-	-	1.75
A1	0.10	-	0.25
A2	1.25	-	-
b	0.31	-	0.51
c	0.10	-	0.25
D	4.90 BSC		
E1	3.90 BSC		
E	6.00 BSC		
L	0.40	-	1.27
e	1.27 BSC		
θ°	0	-	8

Note:

1. All dimensions refer to JEDEC OUTLINE MS-012.
2. Do not include Mold Flash or Protrusions.
3. Unit: mm.

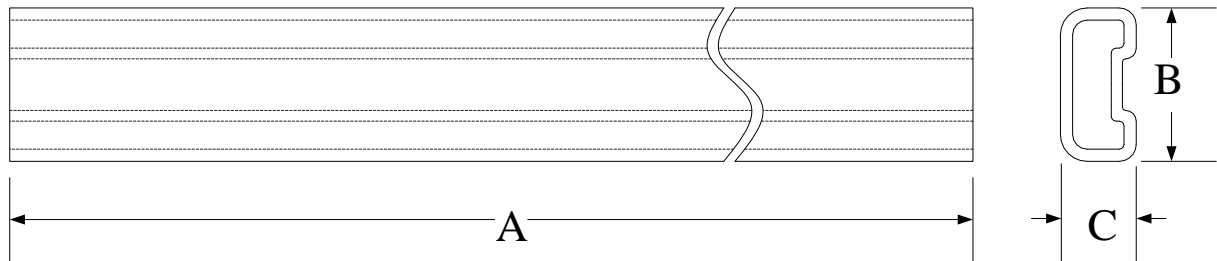
HY10P40

Embedded 24-Bit $\Sigma\Delta$ ADC

8-Bit RISC-like Mixed Signal Microcontroller

8.1.2. Tube Dimensions SOP8(150mil)

Unit : mm



Type 1:

SYMBOLS	A	B	C
Spec.	521.0±1.0	7.747±0.15	3.810±0.15

Type 2:

SYMBOLS	A	B	C
Spec.	521.0±1.0	7.874 REF.	3.810 REF.

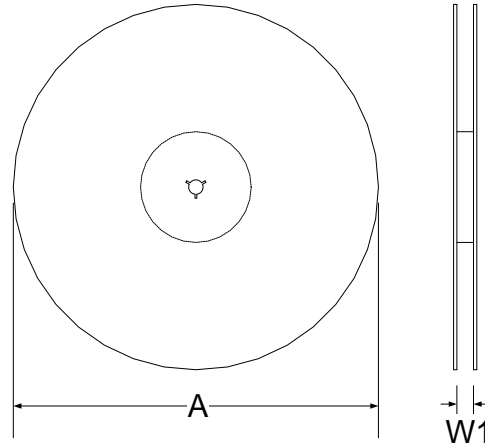
HY10P40

Embedded 24-Bit $\Sigma\Delta$ ADC
8-Bit RISC-like Mixed Signal Microcontroller

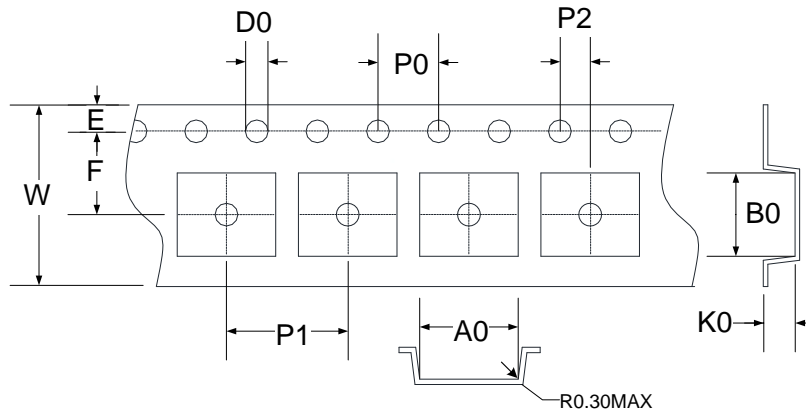
8.1.3. Tape & Reel Information

8.1.3.1. Reel Dimensions-Type1

Unit : mm



8.1.3.2. Carrier Tape Dimensions

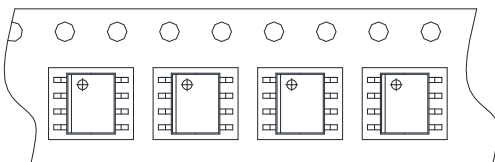


SYMBOLS	Reel Dimensions		Carrier Tape Dimensions										
	A	W1	A0	B0	K0	P0	P1	P2	E	F	D0	W	
Spec.	330	12.5	6.90	5.40	2.00	4.00	8.00	2.00	1.75	5.50	1.50	12.00	
Tolerance	+6/-3	+1.5/-0	±0.10	±0.10	±0.10	±0.10	±0.10	±0.10	±0.05	±0.10	±0.05	+0.1/-0	±0.30

Note: 10 Sprocket hole pitch cumulative tolerance is ± 0.20 mm.

Unit : mm

8.1.3.3. Pin1 direction

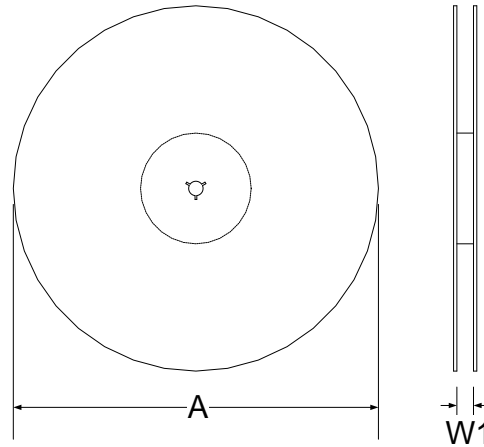


HY10P40

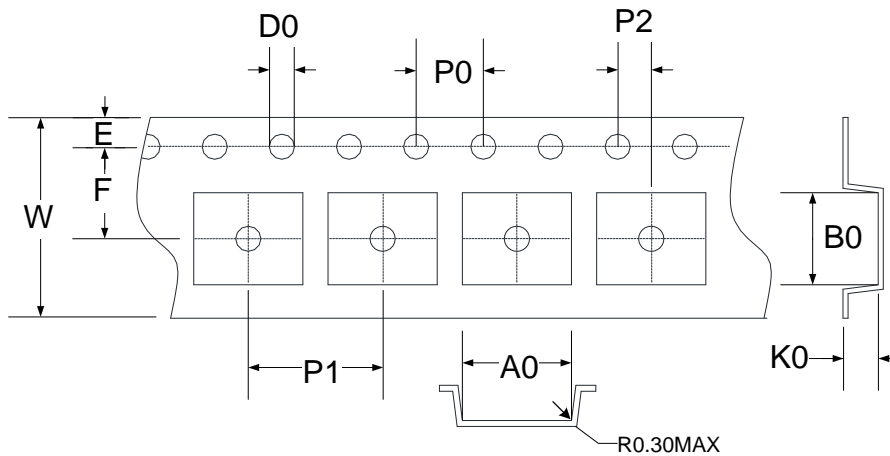
Embedded 24-Bit $\Sigma\Delta$ ADC
8-Bit RISC-like Mixed Signal Microcontroller

8.1.3.4. Reel Dimensions –Type2

Unit : mm



8.1.3.5. Carrier Tape Dimensions

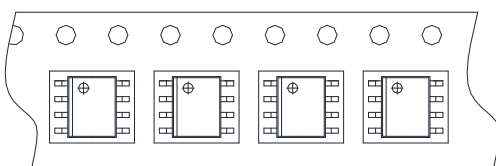


SYMBOLS	Reel Dimensions		Carrier Tape Dimensions									
	A	W1	A0	B0	K0	P0	P1	P2	E	F	D0	W
Spec.	330	12.5	6.50	5.20	2.10	4.00	8.00	2.00	1.75	5.50	1.50	12.00
Tolerance	+6/-3	+1.5/-0	±0.10	±0.10	±0.10	±0.10	±0.10	±0.05	±0.10	±0.05	+0.1/-0	±0.30

Note: 10 Sprocket hole pitch cumulative tolerance is ± 0.20 mm.

Unit : mm

8.1.3.6. Pin1 direction

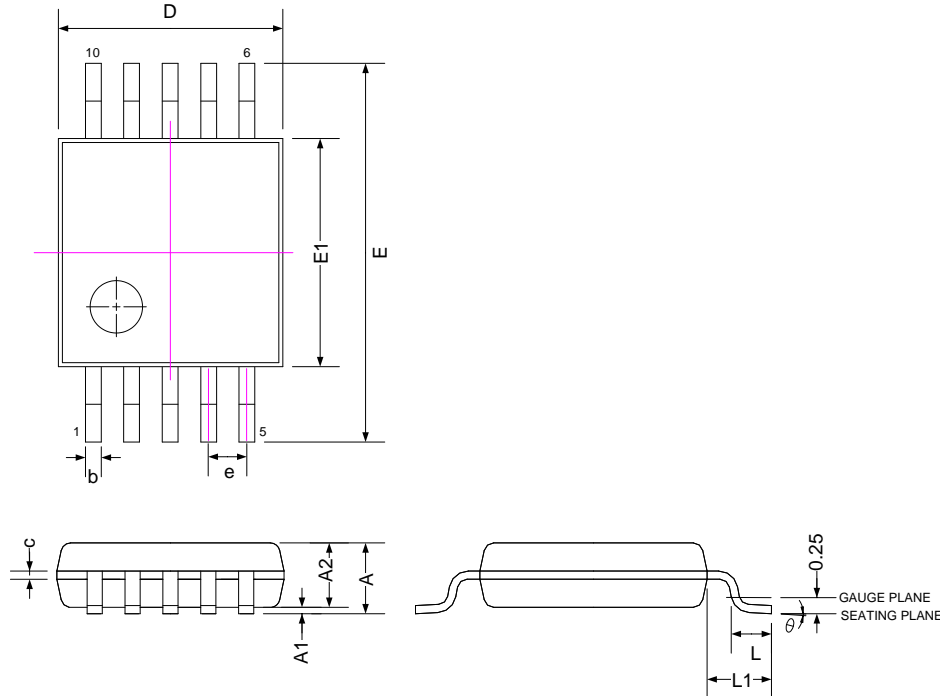


HY10P40

Embedded 24-Bit Σ ADC
8-Bit RISC-like Mixed Signal Microcontroller

8.2. MSOP10(M010)

8.2.1. Package Dimensions



SYMBOLS	MIN	NOM	MAX
A	-	-	1.10
A1	0.00	0.10	0.15
A2	0.75	0.85	0.95
b	0.17	0.20	0.27
c	0.08	0.15	0.23
D	3.00 BASIC		
E1	3.00 BASIC		
E	4.90 BASIC		
L	0.40	0.60	0.80
L1	0.95 REF		
e	0.50 BASIC		
θ°	0	-	8

Note:

1. All dimensions refer to JEDEC OUTLINE MO -187.
2. Do not include Mold Flash or Protrusions.
3. Unit: mm.

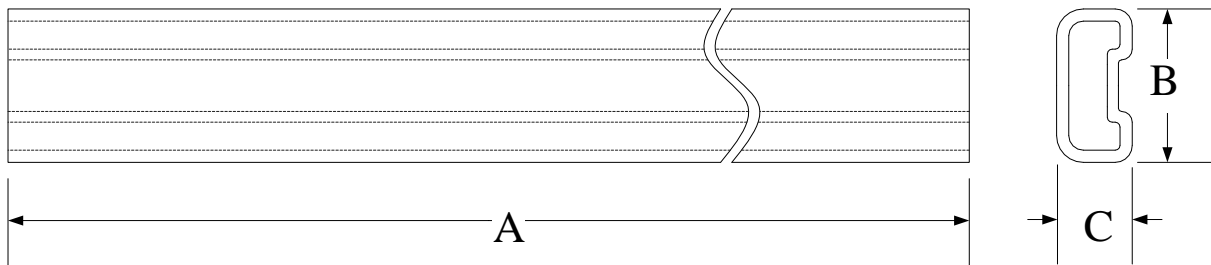
HY10P40

Embedded 24-Bit $\Sigma\Delta$ ADC

8-Bit RISC-like Mixed Signal Microcontroller

8.2.2. Tube Dimensions MSOP10(M010)

Unit : mm



SYMBOLS	A	B	C
Spec.	270.0±1.3	6.55±0.1	3.0±0.1

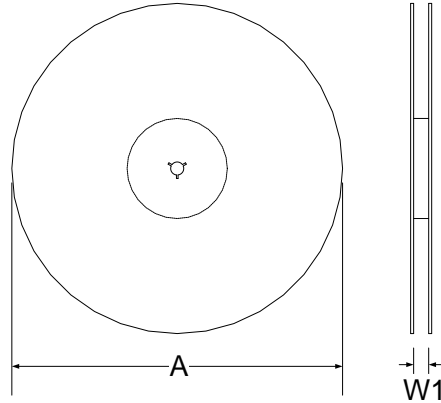
HY10P40

Embedded 24-Bit $\Sigma\Delta$ ADC
8-Bit RISC-like Mixed Signal Microcontroller

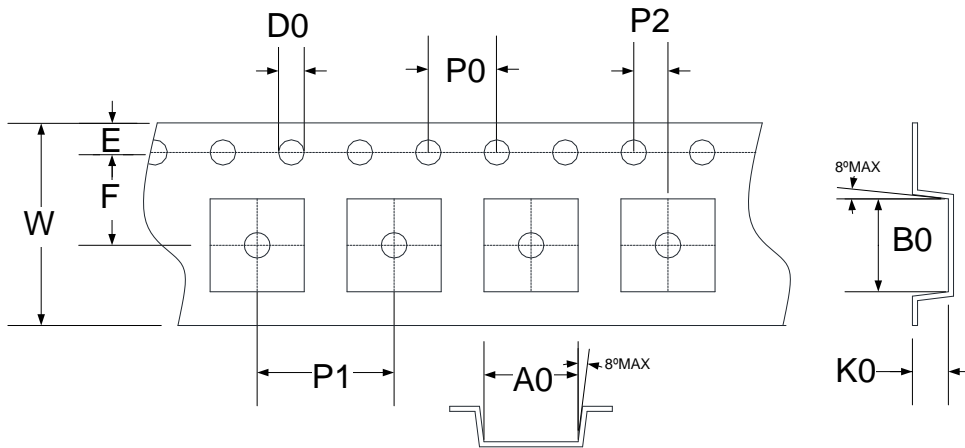
8.2.3. Tape & Reel Information

8.2.3.1. Reel Dimensions –Type1

Unit : mm



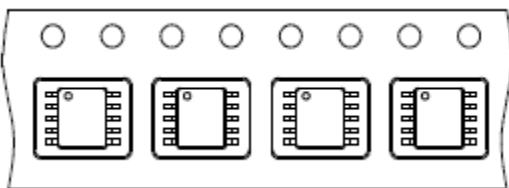
8.2.3.2. Carrier Tape Dimensions



SYMBOLS	Reel Dimensions		Carrier Tape Dimensions										
	A	W1	A0	B0	K0	P0	P1	P2	E	F	D0	W	
Spec.	330	12.5	5.30	3.40	1.40	4.00	8.00	2.00	1.75	5.50	1.50	12.00	
Tolerance	±2.00	±1.50	±0.10	±0.10	±0.10	±0.10	±0.10	±0.10	±0.05	±0.10	±0.05	+0.1/-0	±0.20

Note: 10 Sprocket hole pitch cumulative tolerance is ±0.20mm.

8.2.3.3. Pin1 direction

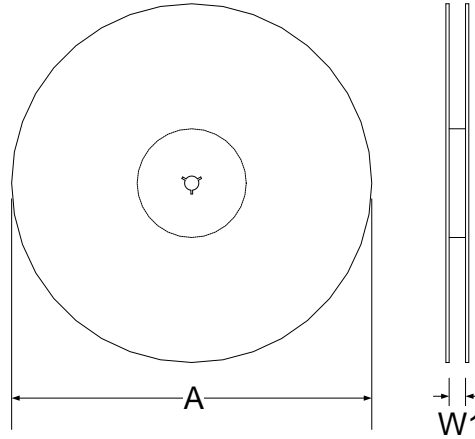


HY10P40

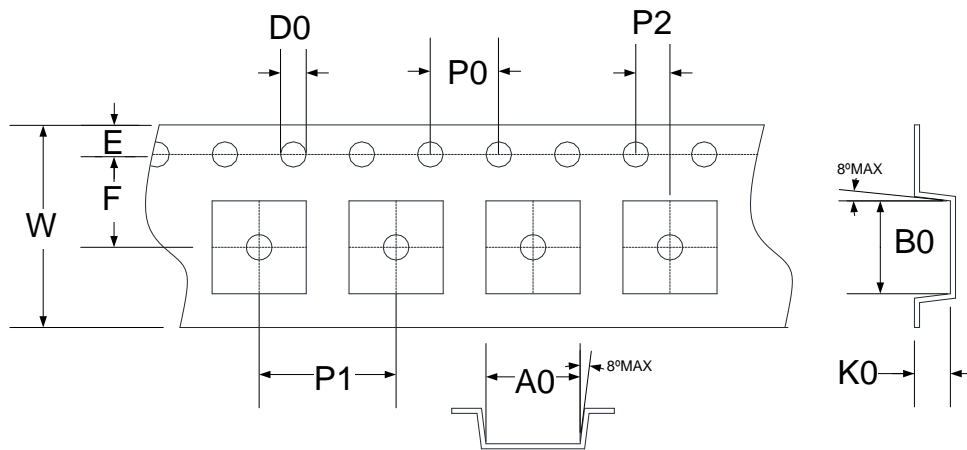
Embedded 24-Bit $\Sigma\Delta$ ADC
8-Bit RISC-like Mixed Signal Microcontroller

8.2.3.4. Reel Dimensions –Type2

Unit : mm



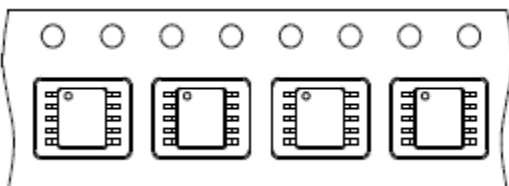
8.2.3.5. Carrier Tape Dimensions



SYMBOLS	Reel Dimensions		Carrier Tape Dimensions										
	A	W1	A0	B0	K0	P0	P1	P2	E	F	D0	W	
Spec.	330	12.5	5.20	3.30	1.20	4.00	8.00	2.00	1.75	5.50	1.50	12.00	
Tolerance	±2.00	±1.50	±0.10	±0.10	±0.10	±0.10	±0.10	±0.10	±0.05	±0.10	±0.05	+0.1/-0	±0.30

Note: 10 Sprocket hole pitch cumulative tolerance is ±0.20mm.

8.2.3.6. Pin1 direction

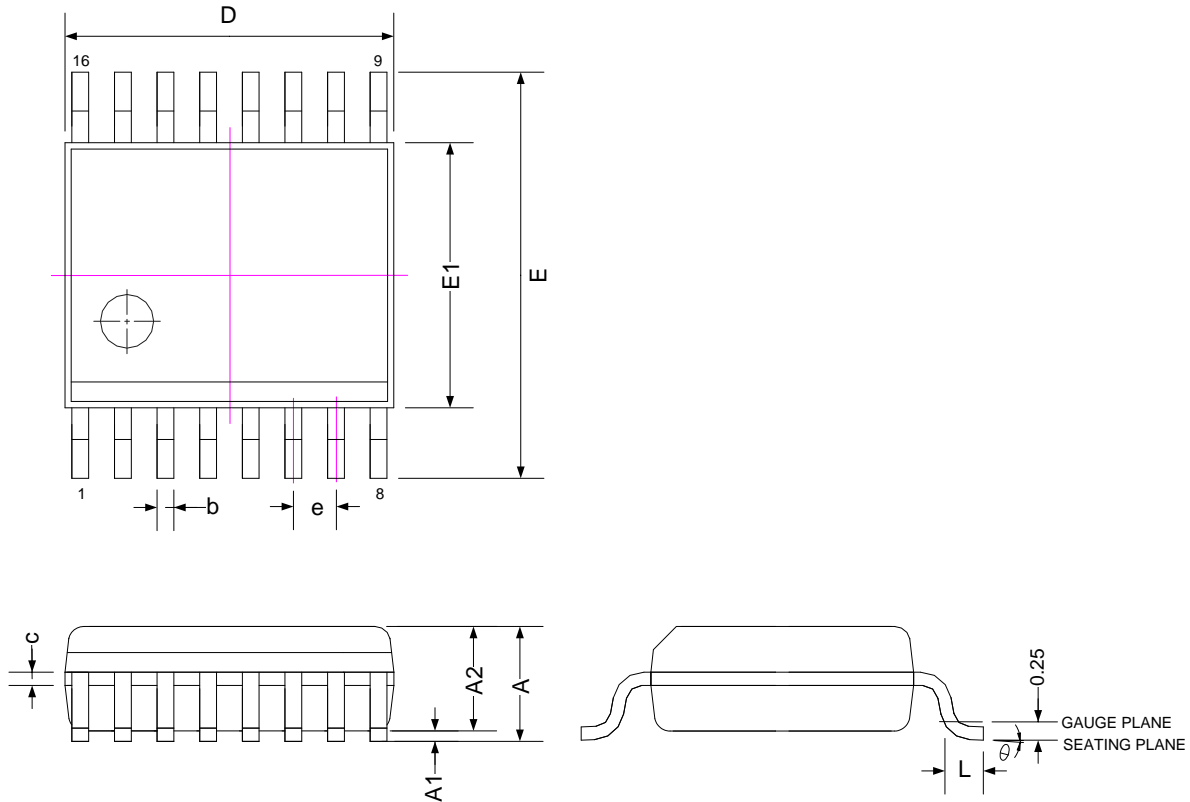


HY10P40

Embedded 24-Bit $\Sigma\Delta$ ADC
8-Bit RISC-like Mixed Signal Microcontroller

8.3. SSOP16(E016)

8.3.1. Package Dimensions



SYMBOLS	MIN	NOM	MAX
A	-	-	1.75
A1	0.10	0.15	0.25
A2	-	-	1.50
b	0.20	-	0.30
c	0.18	-	0.25
D	4.80	4.90	5.00
E1	3.81	3.91	3.99
E	5.79	5.99	6.20
L	0.41	-	1.27
e	0.635 BASIC		
θ°	0	-	8

Note:

1. All dimensions refer to JEDEC OUTLINE MO-137.
2. Do not include Mold Flash or Protrusions.
3. Unit: mm.

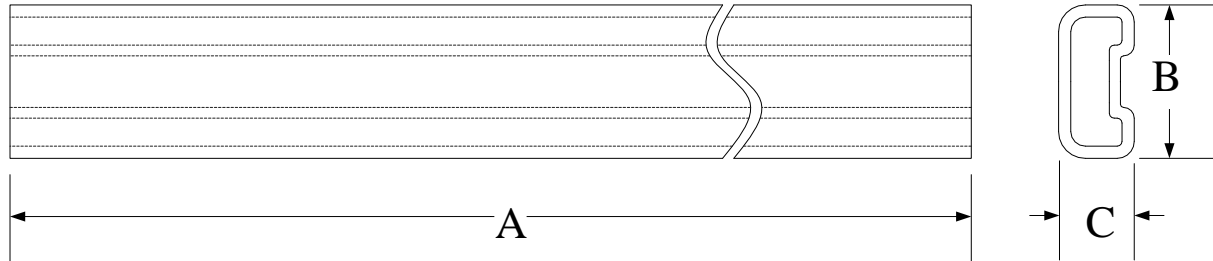
HY10P40

Embedded 24-Bit $\Sigma\Delta$ ADC

8-Bit RISC-like Mixed Signal Microcontroller

8.3.2. Tube Dimensions SSOP16(E016)

Unit : mm



Type 1:

SYMBOLS	A	B	C
Spec.	521.0±1.0	7.747±0.15	3.810±0.15

Type 2:

SYMBOLS	A	B	C
Spec.	521.0±1.0	7.874 REF.	3.810 REF.

HY10P40

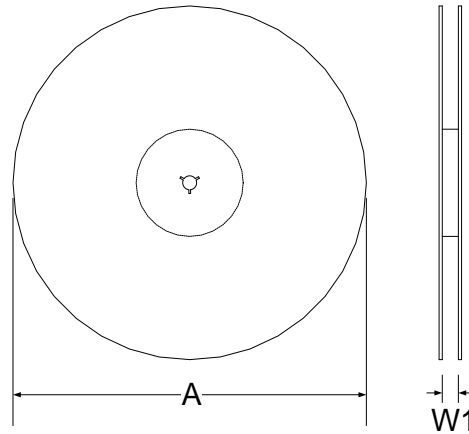
Embedded 24-Bit $\Sigma\Delta$ ADC
8-Bit RISC-like Mixed Signal Microcontroller



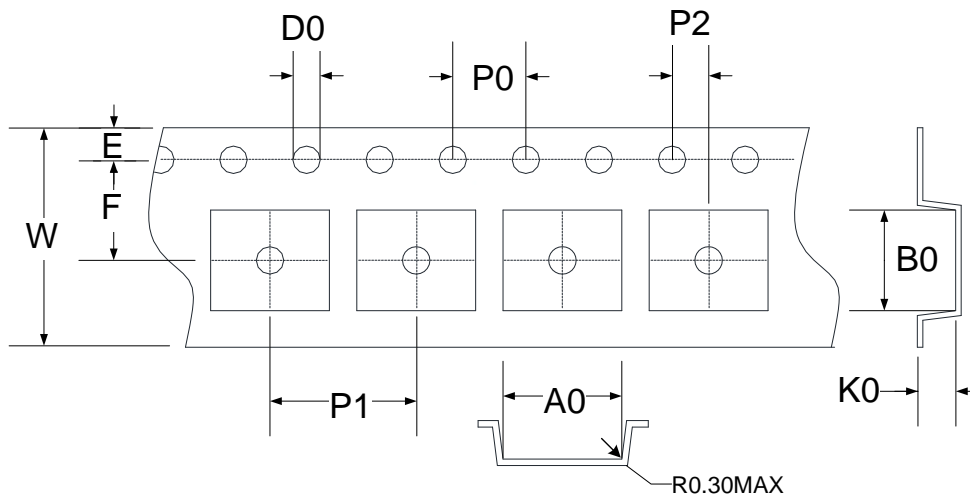
8.3.3. Tape & Reel Information

8.3.3.1. Reel Dimensions –Type1

Unit : mm



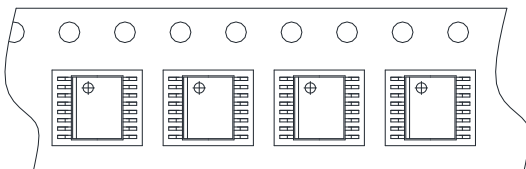
8.3.3.2. Carrier Tape Dimensions



SYMBOLS	Reel Dimensions		Carrier Tape Dimensions										
	A	W1	A0	B0	K0	P0	P1	P2	E	F	D0	W	
Spec.	330	12.5	6.90	5.40	2.00	4.00	8.00	2.00	1.75	5.50	1.50	12.00	
Tolerance	+6/-3	+1.5/-0	±0.10	±0.10	±0.10	±0.10	±0.10	±0.10	±0.05	±0.10	±0.05	+0.1/-0	±0.30

Note: 10 Sprocket hole pitch cumulative tolerance is ± 0.20 mm.

8.3.3.3. Pin1 direction



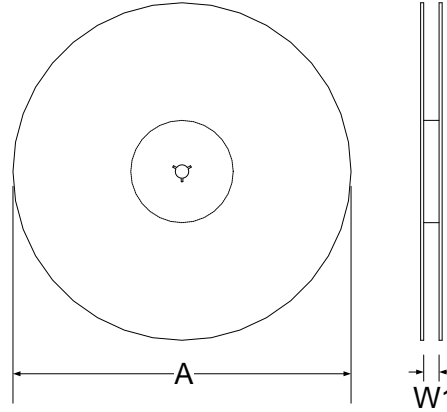
HY10P40

Embedded 24-Bit $\Sigma\Delta$ ADC
8-Bit RISC-like Mixed Signal Microcontroller

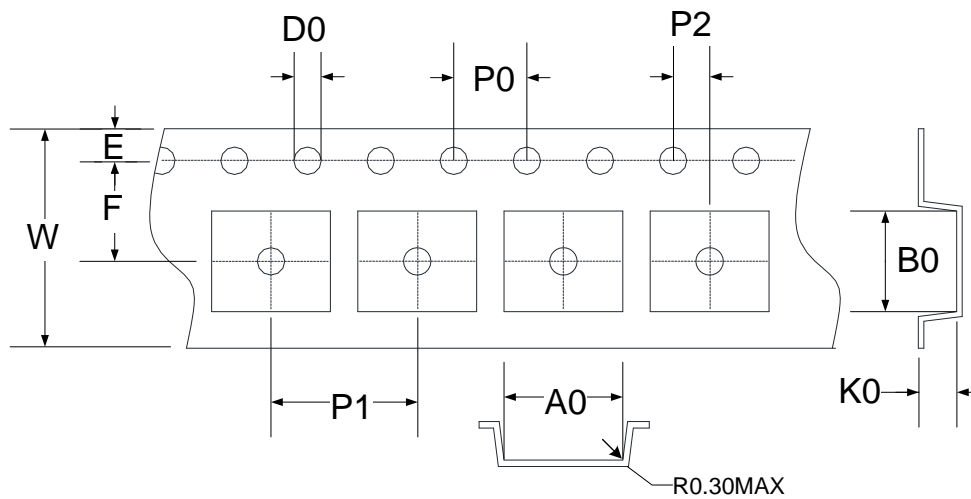


8.3.3.4. Reel Dimensions –Type2

Unit : mm



8.3.3.5. Carrier Tape Dimensions

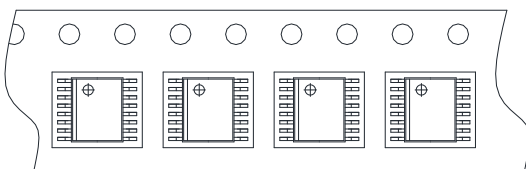


SYMBOLS	Reel Dimensions		Carrier Tape Dimensions									
	A	W1	A0	B0	K0	P0	P1	P2	E	F	D0	W
Spec.	330	12.5	6.50	5.20	2.10	4.00	8.00	2.00	1.75	5.50	1.50	12.00
Tolerance	+6/-3	+1.5/-0	±0.10	±0.10	±0.10	±0.10	±0.10	±0.05	±0.10	±0.05	+0.1/-0	±0.30

Note: 10 Sprocket hole pitch cumulative tolerance is ± 0.20 mm.

Unit : mm

8.3.3.6. Pin1 direction



HY10P40

Embedded 24-Bit $\Sigma\Delta$ ADC
8-Bit RISC-like Mixed Signal Microcontroller

9. Revision Record

Major differences are stated thereafter:

Version	Page	Revision Summary
V01	All	First Edition
V03	All	Specification upgrade
V05	5	Reset function : delete RESET PIN
	6	Revise package pin name : VPP/RST/PT1.0/INT0 revised to VPP/PT1.0/INT1.0 PT2.0/AI6/PWMA0 revised to PT2.0/AI6/PWMA0/INT2.0 PT2.1/AI7/PWMA1 revised to PT2.1/AI7/PWMA1/INT2.1
	7	Add INT2.0 and INT2.1 : Falling Edge Trigger Interrupt
	8	Delete RST
	9~10	Delete Reset circuit Revise package pin name : VPP/RST/PT1.0/INT0 revised to VPP/PT1.0/INT1.0 PT2.0/AI6/PWMA0 revised to PT2.0/AI6/PWMA0/INT2.0 PT2.1/AI7/PWMA1 revised to PT2.1/AI7/PWMA1/INT2.1
	13	0x23h · 0x26h : Add E20IE · E21IE and E20IF · E21IF 0x23h · 0x26h : E0IE and E0IF renamed as E10IE and E10IF 0x2Ch : Delete RST 0x41h : Delete EN_RST_PIN
	20	Remove External RST Pin related info.
V06	24 6 10 25	Revised SD18 ENOB Table and SD18 RMS Noise Table Remove HY10P40H SSOP16 pin map Remove 3.3. Charger Application Circuit Remove HY10P40H SSOP16 ordering Information
V07	9~10	Update Package marker information
	27 29	Update Green (RoHS & no Cl/Br) Update Tube Dimensions
	30~31 33 34~35 37 38~39	Update Tape & Reel Information Update Tube Dimensions Update Tape & Reel Information Update Tube Dimensions Update Tape & Reel Information
V08	All	Correct the description of the ADC resolution to 24-Bit $\Sigma\Delta$ ADC
	29,33,37	Update Tube Dimensions
V09	All	Remove SOP8(EP) Package information and add SOP8 Package information