



**HY11P23**  
**Datasheet**  
**8-Bit RISC-Like Mixed Signal Microcontroller**  
**Embedded Low Noise Amplifier**  
**18-Bit  $\Sigma\Delta$ ADC**

## **Table of Contents**

<b>1. FEATURES .....</b>	<b>5</b>
<b>2. PIN DEFINITION .....</b>	<b>7</b>
2.1 32Pin Diagram LQFP32 .....	7
2.2 32Pin Diagram QFN32 .....	7
2.3 28Pin Diagram SSOP28 .....	8
2.4 LQFP32/QFN32 Pinout I/O Description .....	9
2.5 SSOP28 Pinout I/O Description .....	12
<b>3. APPLICATION CIRCUIT .....</b>	<b>15</b>
3.1 Four Sets Bridge Sensor I .....	15
3.2 Four Sets Bridge Sensor II .....	16
3.3 Two-Wire 4-20mA Current Panel Meter.....	17
<b>4. FUNCTION OUTLINE .....</b>	<b>18</b>
4.1 Internal Block Diagram .....	18
4.2 Related Description and Supporting Document.....	18
4.3 SD18 Network .....	19
4.4 Low Noise OPAMP Network.....	20
<b>5. REGISTER LIST .....</b>	<b>21</b>
<b>6. ELECTRICAL CHARACTERISTICS.....</b>	<b>23</b>
6.1 Recommended Operating Conditions .....	23
6.2 Internal RC Oscillator .....	24
6.3 Supply Current into VDD Excluding Peripherals Current.....	25

# HY11P23

Embedded 18-Bit  $\Sigma\Delta$ ADC

8-Bit RISC-Like Mixed Signal Microcontroller



6.4	Port 1~5.....	27
6.5	Reset (Brownout, External RST Pin, Low Voltage Detect).....	28
6.6	Power System.....	30
6.7	Low Noise OPAMP.....	32
6.8	SD18, Power Supply and Recommended Operating Conditions.....	33
7.	ORDERING INFORMATION.....	39
8.	PACKAGE INFORMATION.....	40
8.1	LQFP32(L032).....	40
8.1.1	Package Dimensions.....	40
8.2	QFN32(NS32).....	41
8.2.1	Package Dimensions.....	41
8.3	SSOP28(E028, 209mil).....	42
8.3.1	Package Dimensions.....	42
8.3.2	Tape & Reel Informations.....	42
8.3.2.1	Reel Dimensions.....	43
8.3.2.2	Carrier Tape Dimension.....	43
8.3.2.3	Pin1 Direction.....	43
9.	REVISION HISTORY.....	44

Attention :

1. HYCON Technology Corp. reserves the right to change the content of this datasheet without further notice. For most up-to-date information, please constantly visit our website:  
<http://www.hycontek.com> .
2. HYCON Technology Corp. is not responsible for problems caused by figures or application circuits narrated herein whose related industrial properties belong to third parties.
3. Specifications of any HYCON Technology Corp. products detailed or contained herein stipulate the performance, characteristics, and functions of the specified products in the independent state. We does not guarantee of the performance, characteristics, and functions of the specified products as placed in the customer's products or equipment. Constant and sufficient verification and evaluation is highly advised.
4. Please note the operating conditions of input voltage, output voltage and load current and ensure the IC internal power consumption does not exceed that of package tolerance. HYCON Technology Corp. assumes no responsibility for equipment failures that resulted from using products at values that exceed, even momentarily, rated values listed in products specifications of HYCON products specified herein.
5. Notwithstanding this product has built-in ESD protection circuit, please do not exert excessive static electricity to protection circuit.
6. Products specified or contained herein cannot be employed in applications which require extremely high levels of reliability, such as device or equipment affecting the human body, health/medical equipments, security systems, or any apparatus installed in aircrafts and other vehicles.
7. Despite the fact that HYCON Technology Corp. endeavors to enhance product quality as well as reliability in every possible way, failure or malfunction of semiconductor products may happen. Hence, users are strongly recommended to comply with safety design including redundancy and fire-precaution equipments to prevent any accidents and fires that may follow.
8. Use of the information described herein for other purposes and/or reproduction or copying without the permission of HYCON Technology Corp. is strictly prohibited.

## 1. Features

- 8-bit RISC, 66 instructions included.
- Operating voltage range: 2.0V to 3.6V, operation temperature range: -40°C ~85°C.
- External Crystal Oscillator and Internal High Precision RC Oscillator, 6 CPU clock rates enable users to have the most power-saving plan.
  - Active Mode 300uA@2MHz
  - Standby Mode 3uA@32KHz
  - Sleep Mode 1uA
- 4K Word OTP (One Time Programmable) Type program memory, 256 Byte Data Memory.
- Brownout detector and Watch dog Timer, prevents CPU from Crash.
- 18-bit fully differential input Sigma-Delta Analog-to-Digital Converter (A/D)
  - Build-in PGA (Programmable Gain Amplifier) 1/4x · 1/2x · 1x. ...128x, 10 input signal gain selection.
  - Build-in Input zero point adjustment can increase measurement range according to different application.
  - Built-in high impedance input buffer (Not suitable for 4x or upwards input gain).
  - Build-in absolute temperature sensor
- Ultra-Low Input Noise (<1uVpp) OP provides high output impedance, small signal amplification and low current voltage transformation
- 1.0V and 1.2V internal analog circuit common ground that equips with Push-Pull drive ability to provide sensor driving voltage.
- LVD low voltage detection function has 14 steps of voltage detection configuration and external input voltage detection function.
- VDDA can select 4 different output voltage that equips with 10mA low dropout regulator function.
- 8-bit Timer A
- 16-bit Timer B module has Capture/Compare function.
- 8-bit Timer C module can generate PWM/PFD waveform.
- Serial communication SPI, EUART module.
- Support 6 stack level

# HY11P23

Embedded 18-Bit  $\Sigma\Delta$ ADC

8-Bit RISC-Like Mixed Signal Microcontroller

Device No.	Package	ADC* (SD 18)	LNOP*	I/O	Program Memory (word)	Data Memory (byte)	Serial Interface	Timer*	Instruction Set*	Stack Level
HY11P23-L032	LQFP32	10	1	22	4k	256	SPI+EUART	A,B,C	H08A	6
HY11P23-NS32	QFN32	10	1	22	4k	256	SPI+EUART	A,B,C	H08A	6
HY11P23-E028	SSOP28	7	-	19	4k	256	SPI+EUART	A,B,C	H08A	6

\*ADC: SD 18: Sigma Delta ADC, 18bit  $\Sigma\Delta$ ADC

\*LNOP: Low noise operational amplifier

\*Timer: Timer A (8-bit) has several interrupt time configurations :

Timer B (16-bit) has Capture/Compare function;

Timer C (8-bit) has PWM/PFD function.

\*Instruction Set: Main differences of instruction set: H08A has 8x8 hardware multiplier,

16-bit look-up-table instruction, condition jump instruction, stack operation instruction ...etc.

## 2. Pin Definition

### 2.1 32Pin Diagram LQFP32

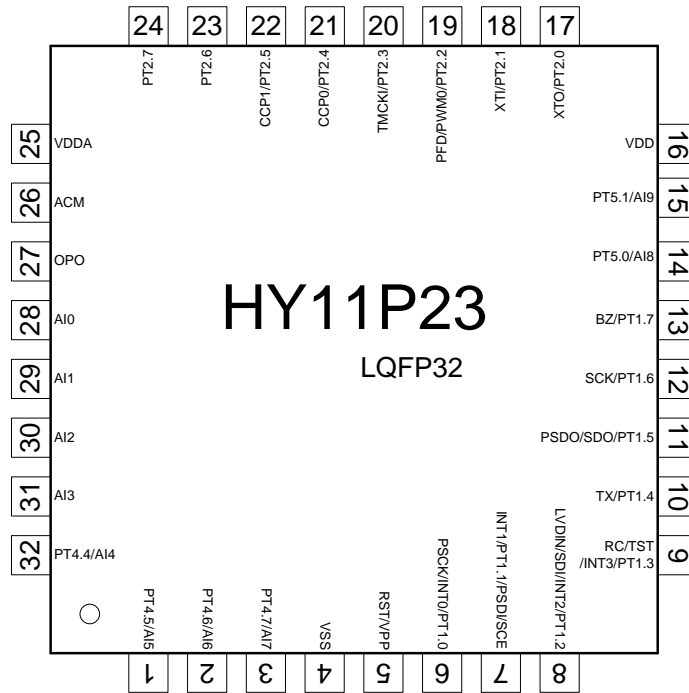


Figure 2-1 HY11P23 LQFP32 Pin Diagram

### 2.2 32Pin Diagram QFN32

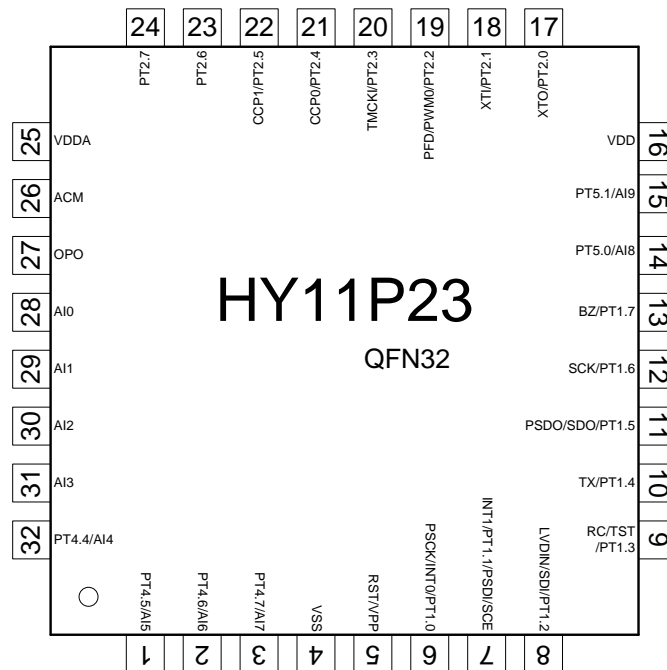


Figure 2-2 HY11P23 QFN32 Pin Diagram

## 2.3 28Pin Diagram SSOP28

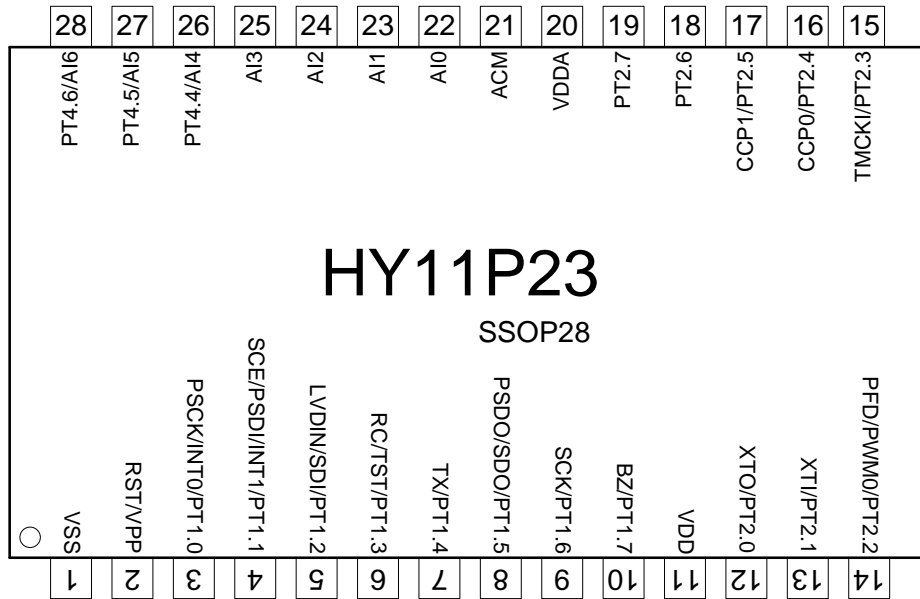


Figure 2-3 HY11P23 SSOP28 Pin Diagram

Note 1 : VPP and RST use the same pin. Input voltage cannot exceed 5.8V when not programming EPROM.

Note 2 : TST and PT1.3 use the same pin. Input voltage cannot exceed VDD+0.3V while operating.

Note 3 : If PT1.3 is not configured as external button pin, the anti-interference ability will be enhanced.



## 2.4 LQFP32/QFN32 Pinout I/O Description

"I/O" input/output, "I" input, "O" output, "S" Smith Trigger, "C" CMOS features compatible input/output, "P" power supply, "A" analog channel

NO.	Pin Name	Pin Characteristic		Description	
		Pin Type	Buffer Type		
1	PT4.5/AI5	PT4.5	I	C	Digital input
		AI5	A	A	Analog input channel
2	PT4.6/AI6	PT4.6	I	C	Digital input
		AI6	A	A	Analog input channel
3	PT4.7/AI7	PT4.7	I	C	Digital input
		AI7	A	A	Analog input channel
4	VSS		P	P	Grounding pin for IC operation voltage
5	RST/VPP	RST	I	S	Reset IC
		VPP	P	P	EPROM programming voltage input
6	PT1.0/INT0/PSCK	PT1.0	I	S	Digital input
		INT0	I	S	Interrupt input INT0
		PSCK	I	S	OTP programming interface SCK
7	PT1.1/INT1/PSDI/SCE	PT1.1	I	S	Digital input
		INT1	I	S	Interrupt input INT1
		PSDI	I	S	OTP programming interface SDI
		SCE	I/O	S	SPI communication interface SCE
8	PT1.2/SDI/LVDIN	PT1.2	I	S	Digital input
		SDI	I/O	S	SPI communication interface SDI
		LVDIN	A	A	LVD external signal input port
9	PT1.3/TST/RC	PT1.3	I	S	Digital input
		RC	I/O	S	EUART communication interface RC
		TST	I	S	Test Mode input pin (invalid)
10	PT1.4/TX				

		PT1.4	I/O	S	Digital I/O
		TX	I/O	S	EUART communication interface TX
11	PT1.5/PSDO/SDO	PT1.5	I/O	S	Digital I/O
		PSDO	I/O	C	OTP programming interface SDO
		SDO	I/O	S	SPI communication interface SDO
12	PT1.6/SCK	PT1.6	I/O	S	Digital I/O
		SCK	I/O	S	SPI communication interface SCK
13	PT1.7/BZ	PT1.7	I/O	S	Digital I/O
		BZ	O	C	Buzzer output
14	PT5.0/AI8	PT5.0	I	C	Digital input
		AI8	A	A	Analog input channel
15	PT5.1/AI9	PT5.1	I	C	Digital input
		AI9	A	A	Analog input channel
16	VDD		P	P	IC operation power source
17	PT2.0/XTO	PT2.0	I/O	S	Digital I/O
		XTO	A	A	External oscillator output
18	PT2.1/XTI	PT2.1	I/O	S	Digital I/O
		XTI	A	A	External oscillator output
19	PT2.2/PWM0/PFD	PT2.2	I/O	C	Digital I/O
		PWM0	O	C	PWM output
		PFD	O	C	PFD output
20	PT2.3/TMCKI	PT2.3	I/O	S	Digital I/O
		TMCKI	I	S	TIMERC clock source input
21	PT2.4/CCP0	PT2.4	I/O	S	Digital I/O
		CCP0	I	S	Capture/compare mode signal port
22	PT2.5/CCP1	PT2.5	I/O	S	Digital I/O
		CCP1	I	S	Capture/compare mode signal port

23	PT2.6	I/O	C	Digital I/O	
24	PT2.7	I/O	C	Digital I/O	
25	VDDA	P	P	Regulator output Analog circuit voltage source	
26	ACM	P	P	Internal analog circuit common ground pin	
27	OPO	A	A	OP output	
28	AI0	A	A	Analog channel pin	
29	AI1	A	A	Analog channel pin	
30	AI2	A	A	Analog channel pin	
31	AI3	A	A	Analog channel pin	
32	PT4.4/AI4	PT4.4	I	C	Digital input
		AI4	A	A	Analog input channel

Table 2-1 Pin Definition and Function description

### 2.5 SSOP28 Pinout I/O Description

"I/O" input/output, "I" input, "O" output, "S" Smith Trigger, "C" CMOS features compatible input/output, "P" power supply, "A" analog channel

NO.	Pin Name	Pin Characteristic		Description
		Pin Type	Buffer Type	
1	VSS	P	P	Grounding pin for IC operation voltage
2	RST	I	S	Reset IC
	VPP	P	P	EPROM programming voltage input
3	PT1.0	I	S	Digital input
	INT0	I	S	Interrupt input INT0
	PSCK	I	S	OTP programming interface SCK
4	PT1.1	I	S	Digital input
	INT1	I	S	Interrupt input INT1
	PSDI	I	S	OTP programming interface SDI
	SCE	I/O	S	SPI communication interface SCE
5	PT1.2	I	S	Digital input
	SDI	I/O	S	SPI communication interface SDI
	LVDIN	A	A	LVD external signal input port
6	PT1.3	I	S	Digital input
	RC	I/O	S	EUART communication interface RC
	TST	I	S	Test Mode input pin (invalid)
7	PT1.4	I/O	S	Digital I/O
	TX	I/O	S	EUART communication interface TX
8	PT1.5	I/O	S	Digital I/O
	PSDO	I/O	C	OTP programming interface SDO
	SDO	I/O	S	SPI communication interface SDO
9	PT1.6	I/O	S	Digital I/O
	SCK	I/O	S	SPI communication interface SCK

# HY11P23

Embedded 18-Bit  $\Sigma\Delta$ ADC

8-Bit RISC-Like Mixed Signal Microcontroller



10	PT1.7/BZ	PT1.7 BZ	I/O O	S C	Digital I/O Buzzer output
11	VDD		P	P	IC operation power source
12	PT2.0/XTO	PT2.0 XTO	I/O A	S A	Digital I/O External oscillator output
13	PT2.1/XTI	PT2.1 XTI	I/O A	S A	Digital I/O External oscillator output
14	PT2.2/PWM0/PFD	PT2.2 PWM0 PFD	I/O O O	C C C	Digital I/O PWM output PFD output
15	PT2.3/TMCKI	PT2.3 TMCKI	I/O I	S S	Digital I/O TIMERC clock source input
16	PT2.4/CCP0	PT2.4 CCP0	I/O I	S S	Digital I/O Capture/compare mode signal port
17	PT2.5/CCP1	PT2.5 CCP1	I/O I	S S	Digital I/O Capture/compare mode signal port
18	PT2.6		I/O	C	Digital I/O
19	PT2.7		I/O	C	Digital I/O
20	VDDA		P	P	Regulator output Analog circuit voltage source
21	ACM		P	P	Internal analog circuit common ground pin
22	AI0		A	A	Analog channel pin
23	AI1		A	A	Analog channel pin
24	AI2		A	A	Analog channel pin
25	AI3		A	A	Analog channel pin
26	PT4.4/AI4	PT4.4 AI4	I A	C A	Digital input Analog input channel
27	PT4.5/AI5	PT4.5	I	C	Digital input

# HY11P23

Embedded 18-Bit  $\Sigma\Delta$ ADC

8-Bit RISC-Like Mixed Signal Microcontroller

		AI5	A	A	Analog input channel
28	PT4.6/AI6				
		PT4.6	I	C	Digital input
		AI6	A	A	Analog input channel

Table 2-2 Pin Definition and Function Description

### 3. Application Circuit

#### 3.1 Four Sets Bridge Sensor I

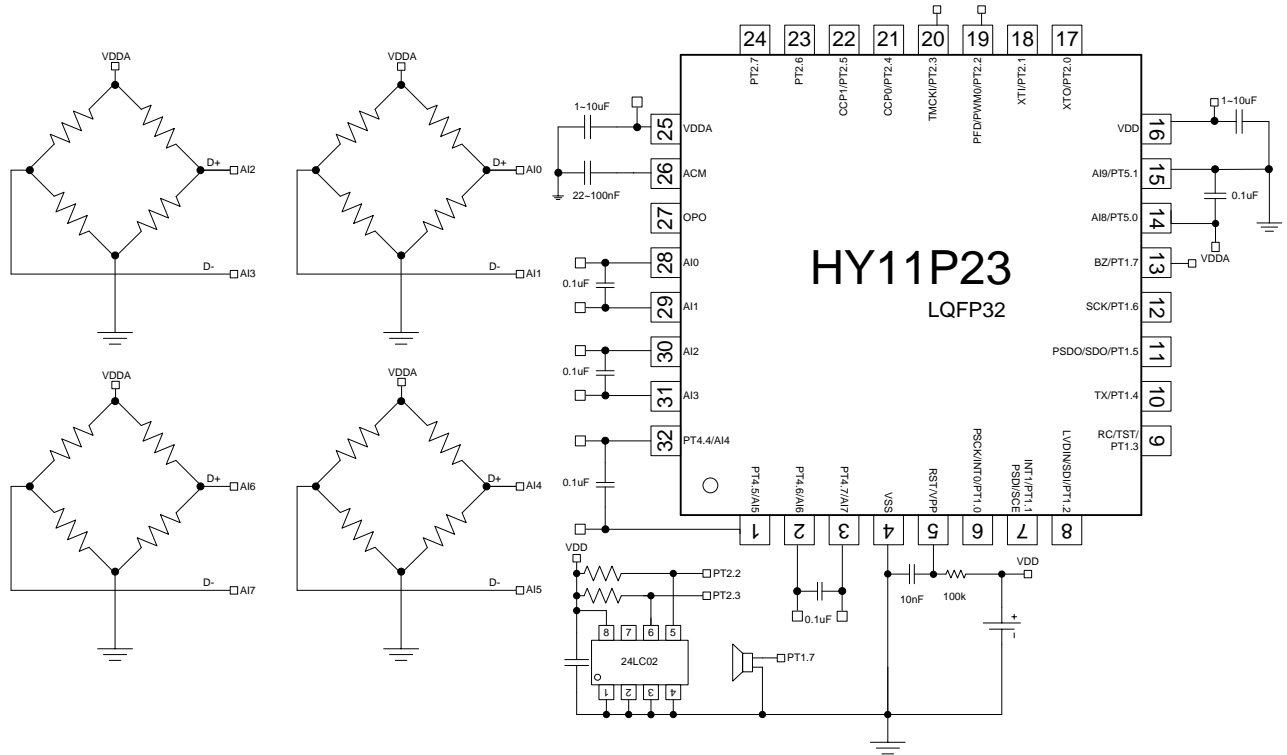


Figure 3-1 Application Circuit of Bridge Sensor

Note : DCSET[2:0] can conduct bias adjustment of Load Cell zero point voltage address

**3.2 Four Sets Bridge Sensor II**

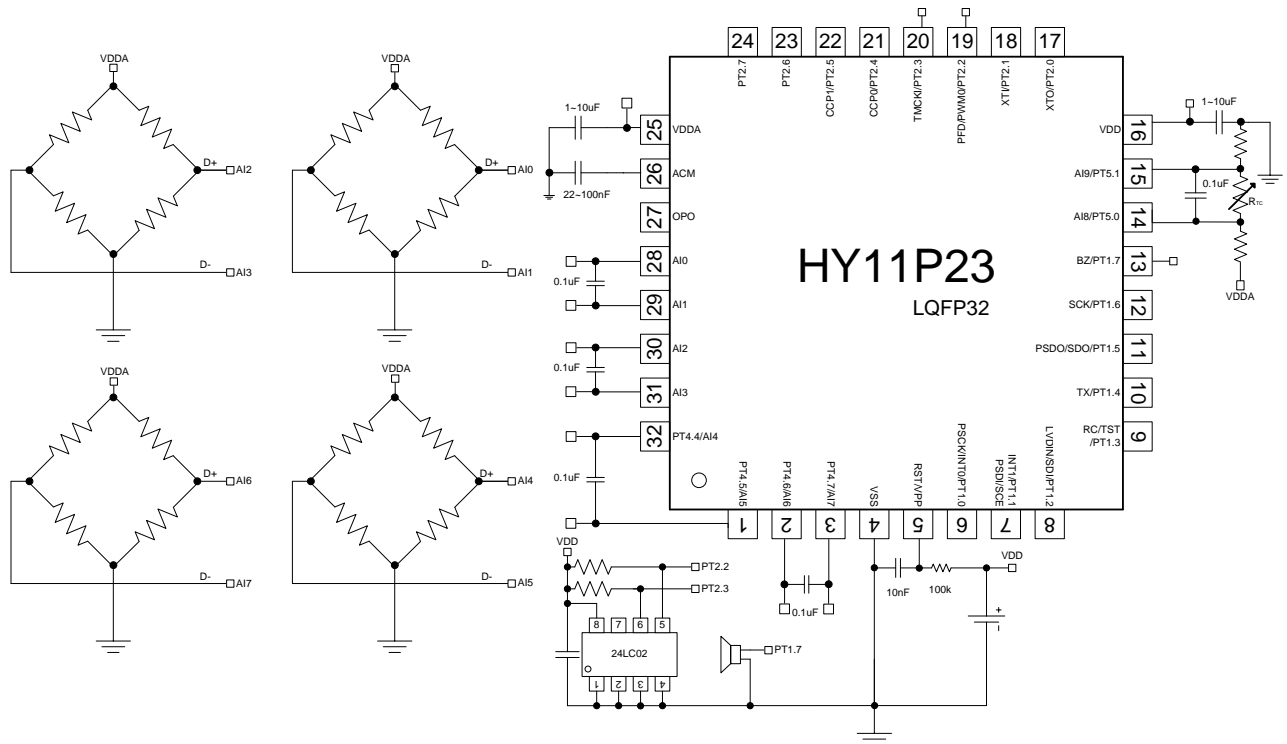


Figure 3-2 Application Circuit of Temperature Compensation Bridge Sensor

Note 1 : Using temperature compensation resistor NTC basic circuit

Note 2 : DCSET[2:0] can conduct bias adjustment of Load Cell zero point voltage address



**3.3 Two-Wire 4-20mA Current Panel Meter**

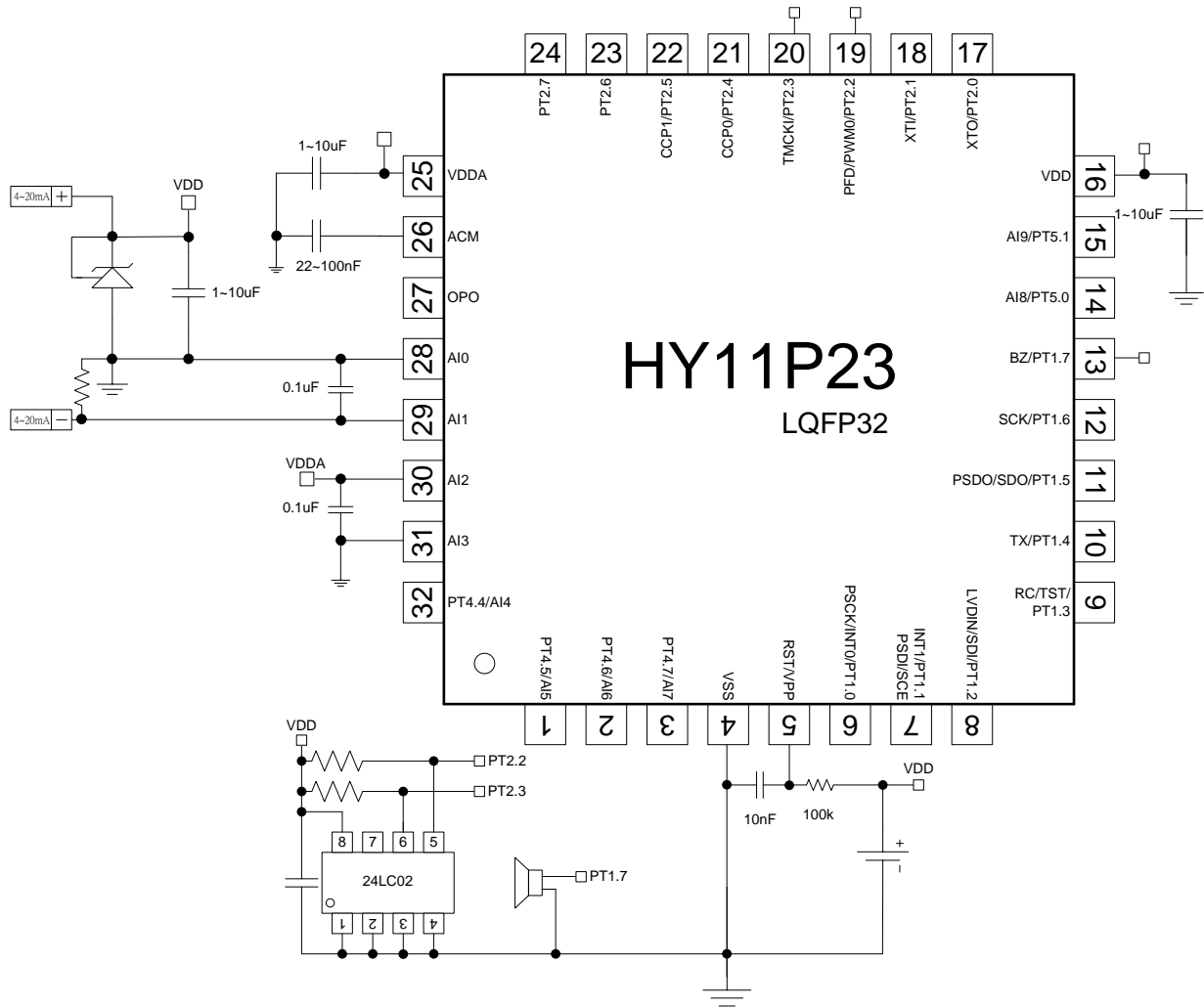
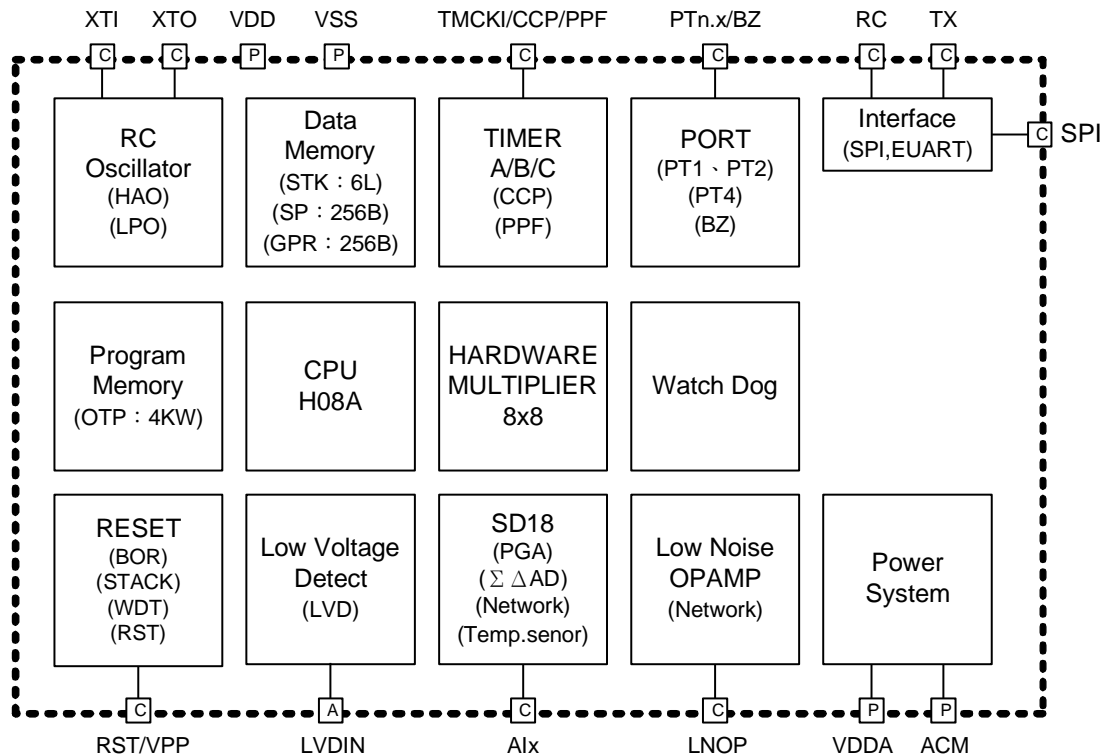


Figure 3-3 4-20mA Panel Meter that Unneeded to Connect External Power Supply

## 4. Function Outline

### 4.1 Internal Block Diagram



[P] Power Pad [D] Digital Pad [A] Analog Pad [C] Common I/O Pad

Figure 4-1 HY11P23 Internal Block Diagram

### 4.2 Related Description and Supporting Document

#### IC Function Related Operating Instruction

DS-HY11P23-Vxx HY11P23 Data Sheet  
UG-HY11S14-Vxx HY11P Series Users' Manual  
APD-CORE002-Vxx H08A Instruction Description

#### Development Tool Related Operating Instruction

APD-HYIDE006-Vxx HY11xxx Series Development Tool Software  
Instruction Manual  
APD-HYIDE005-Vxx HY11xxx Series Development Tool Hardware  
Instruction Manual  
APD-OTP001-Vxx OTP Products Programming Pin Manual

#### Product Production Related Operating Instruction

APD-HYIDE004-Vxx HY1xxxx Series Production Line Specialized  
Programmer Manual  
BDI-HY11P23-Vxx HY11P23 Individual Product Die Bonding Information

**4.3 SD18 Network**

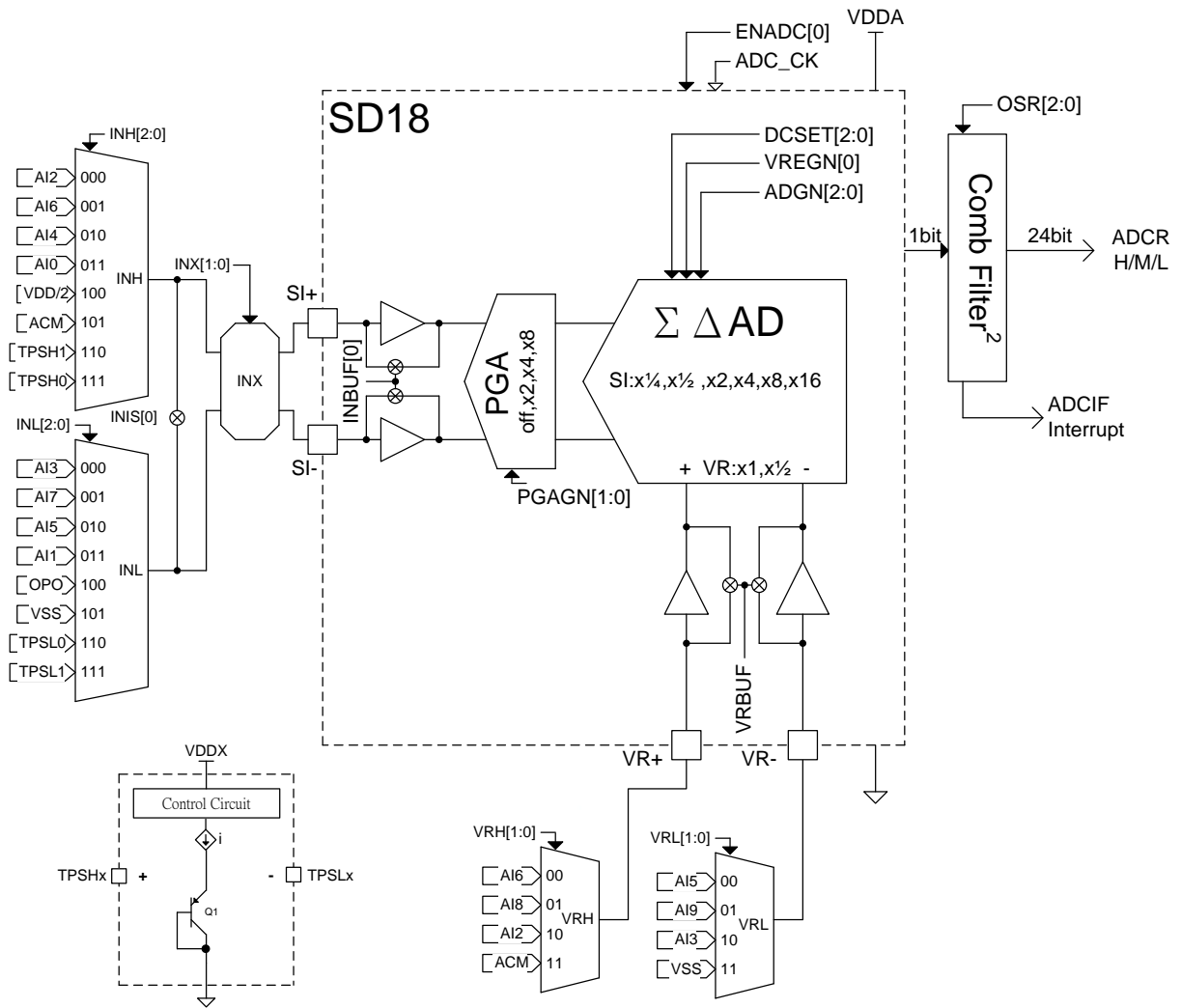


Figure 4-2 SD18 Network

4.4 Low Noise OPAMP Network

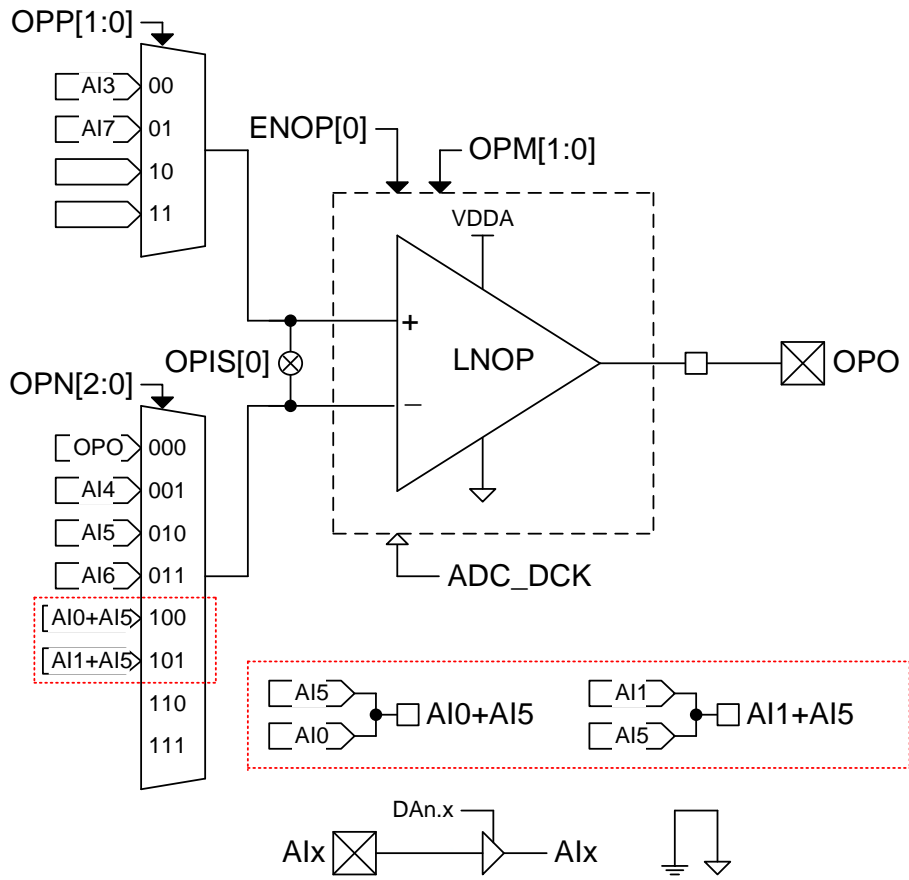


Figure 4-3 Low Noise OPAMP Network

## 5. Register List

“-”no use, “*”read/write, “w”write, “r”read, “r0”only read 0, “r1”only read 1, “w0”only write 0, “w1”only write 1 “u”unimplemented bit, “x”unknown, “u”unchanged, “d”depends on condition													
Address	File Name	Bit7	Bit6	Bit5	Bit4	Bit3	Bit2	Bit1	Bit0	A-RESET	i-RESET	R/W	
00H	INDF0	Contents of FSR0 to address data memory value of FSR0 not changed								N/A	N/A	*****	
01H	POINC0	Contents of FSR0 to address data memory value of FSR0 post-incremented								N/A	N/A	*****	
02H	PODEC0	Contents of FSR0 to address data memory value of FSR0 post-decremented								N/A	N/A	*****	
03H	PRINC0	Contents of FSR0 to address data memory value of FSR0 pre-incremented								N/A	N/A	*****	
04H	PLUSW0	Contents of FSR0 to address data memory value of FSR0 offset by W								N/A	N/A	*****	
05H	INDF1	Contents of FSR1 to address data memory value of FSR0 not changed								N/A	N/A	*****	
06H	POINC1	Contents of FSR1 to address data memory value of FSR0 post-incremented								N/A	N/A	*****	
07H	PODEC1	Contents of FSR1 to address data memory value of FSR0 post-decremented								N/A	N/A	*****	
08H	PRINC1	Contents of FSR1 to address data memory value of FSR0 pre-incremented								N/A	N/A	*****	
09H	PLUSW1	Contents of FSR1 to address data memory value of FSR0 offset by W								N/A	N/A	*****	
0FH	FSR0H	FSR0[8]								....x	....u	.....*	
10H	FSR0L	Indirect Data Memory Address Pointer 0 Low Byte, FSR0[7:0]								xxxx xxxx	uuuu uuuu	*****	
11H	FSR1H	FSR1[8]								....x	....u	.....*	
12H	FSR1L	Indirect Data Memory Address Pointer 1 Low Byte, FSR1[7:0]								xxxx xxxx	uuuu uuuu	*****	
16H	TOSH					TOS[11]	TOS[10]	TOS[9]	TOS[8]	.... 0000	.... 0000	.....*	
17H	TOSL	Top-of-Stack Low Byte (TOS<7:0>)								0000 0000	0000 0000	*****	
18H	STKPTR	STKFL	STKUN	STKOV				STKPRT[2]	STKPRT[1]	STKPRT[0]	000..000	000..000	r,rw0,rw0,-,r,r,f
1AH	PLATH					PC[11]	PC[10]	PC[9]	PC[8]	.... 0000	.... 0000	.....*	
1BH	PCLATL	PC Low Byte for PC<7:0>								0000 0000	0000 0000	*****	
1DH	TBLPTRH					TBLPTR[11]	TBLPTR[10]	TBLPTR[9]	TBLPTR[8]	.... 0000	.... 0000	.....*	
1EH	TBLPTRL	Program Memory Table Pointer Low Byte (TBLPTR<7:0>)								0000 0000	0000 0000	*****	
1FH	TBLDH	Program Memory Table Latch High Byte								0000 0000	0000 0000	*****	
20H	TBLDL	Program Memory Table Latch Low Byte								0000 0000	0000 0000	*****	
21H	PRODH	Product Register of Multiply High Byte								xxxx xxxx	uuuu uuuu	r,r,r,f,r,r,f	
22H	PRODL	Product Register of Multiply Low Byte								xxxx xxxx	uuuu uuuu	r,r,r,f,r,r,f	
23H	INTE1	GIE	ADCIE	TMCIE	TMBIE	TMAIE	WDTIE	E1IE	E0IE	0000 0000	0000 0000	*****	
24H	INTE2	TXIE	RCIE				SSPIE	CCP1IE	CCP0IE	.... 0000	.... 0000	.....*	
26H	INTF1	ADCIF		TMCIF	TMBIF	TMAIF	WDTIF	E1IF	E0IF	.000 0000	.000 0000	.....*	
27H	INTF2	TXIF	RCIF				SSPIF	CCP1IF	CCP0IF	.... 0000	.... 0000	.....*	
29H	WREG	Working Register								xxxx xxxx	uuuu uuuu	*****	
2AH	BSRCL	BSR[0]								.... 0	.... 0	.....*	
2BH	STATUS					C	DC	N	OV	Z	...x xxxx	...u uuuu	.....*
2CH	PSTATUS	PD	TO	IDLEB	BOR	SKERR				000d..0.	uduu..d.	rw0,rw0,rw0,rw0,-,rw0,-,	
2DH	LVDON	LVDFG		LVD	LVDON	VLDX[3:0]				.000 0000	.000 uuuu	.....*	
30H	PWRCN	ENVDDA	VDDAX[1:0]		ENACM					0000 ....	0000 ....	.....*	
31H	MCKCN1	ADCS[2:0]		ADCK	XTHSP	XTSP	ENXT	ENHAO		0000 0001	0000 0001	*****	
32H	MCKCN2			LSCK	HSCK	HSS[1:0]		CPUCK[1:0]		..00 0000	..00 0000	.....*	
33H	MCKCN3					PERCK	BZS[2:0]				.... 0000	.... 0000	.....*
37H	OPCN1	ENOP	OPM[1:0]		OPP[1:0]		OPN[2:0]			0000 0000	0000 0000	*****	
39H	ADCRH	ADC conversion memory HighByte								xxxx xxxx	uuuu uuuu	r,r,r,f,r,r,f	
3AH	ADCRM	ADC conversion memory Middle Byte								xxxx xxxx	uuuu uuuu	r,r,r,f,r,r,f	
3BH	ADCRH	ADC conversion memory Low Byte								xxxx xxxx	uuuu uuuu	r,r,r,f,r,r,f	
3CH	ADCCN1	ENADC	ENHIGN	ENCHP	PGAGN[1:0]			ADGN[2:0]		0000 0000	0000 0000	*****	
3DH	ADCCN2			INBUF	VRBUF	VREGN	DCSET[2:0]			..00 0000	..00 0000	.....*	
3EH	ADCCN3	OSR[2:0]								000. ....	000. ....	.....*	
3FH	AINET1	INH[2:0]			INL[2:0]			INIS	OPIS	0000 0000	0000 0000	*****	
40H	AINET2	VRH[1:0]			INX[1:0]			VRL[1:0]		..000 000.	..000 000.	.....*	
41H	TMACN	ENTMA	TMACK	TMAS[1:0]		ENWDT	WDTSS[2:0]			0000 0000	0000 0000	.....* w1,***	
42H	TMAR	TimerA data register								xxxx xxxx	uuuu uuuu	r,r,r,f,r,r,f	
43H	TMBCN	ENTMB	TMBCK	TMBS[1:0]		TMBSYC	TMBR2R			0000 00..	0000 00..	*****	
44H	TMBRH	TimerB High Byte data register								xxxx xxxx	uuuu uuuu	*****	
45H	TMBRL	TimerB Low Byte data register								xxxx xxxx	uuuu uuuu	*****	
46H	TMCCN	ENTMC	TMCCK[1:0]		TMCS1[2:0]			TMCS0[1:0]		0000 0000	0000 0000	*****	
47H	PRC	TimerC programmable register								1111 1111	1111 1111	*****	
48H	TMCR	TimerC register								0000 0000	0000 0000	r,r,r,f,r,r,f	
49H	CCPCN	CCP1M[3:0]			CCP0M[3:0]						0000 0000	0000 0000	*****
4AH	CCP0RH	CCP0 High Byte data register								xxxx xxxx	uuuu uuuu	*****	
4BH	CCP0RL	CCP0 Low Byte data register								xxxx xxxx	uuuu uuuu	*****	
4CH	CCP1RH	CCP1 High Byte data register								xxxx xxxx	uuuu uuuu	*****	
4DH	CCP1RL	CCP1 Low Byte data register								xxxx xxxx	uuuu uuuu	*****	
4EH	PASC	PASF	PASCFL[1:0]							0.00 ....	0.00 ....	.....*	
4FH	PWMCN	ENPWM	ENPFD	PWMRL[1:0]						0000 ....	0000 ....	.....*	
51H	PWMR	PWM MSB Byte register								xxxx xxxx	uuuu uuuu	*****	

Table 5-1(a) HY11P23 Register List

# HY11P23

Embedded 18-Bit ΣΔADC

8-Bit RISC-Like Mixed Signal Microcontroller



“.”no use,“\*”read/write,“w”write,“r”read,“r0”only read 0,“r1”only read 1,“w0”only write 0,“w1”only write 1  
 “.”unimplemented bit,“x”unknown,“u”unchanged,“d”depends on condition

Address	File Name	Bit7	Bit6	Bit5	Bit4	Bit3	Bit2	Bit1	Bit0	A-RESET	i-RESET	R/W	
5EH	SSPCON1	SSPEN	CKP	CKE	SMP	—	—	SSPM<1:0>		0000 ..00	uuuu ..uu	***r***	
60H	SSPSTA	SSPBUY	SSPOV							BF	00.. ..0	00.. ..0	r,r,r,r,r,r,r,f
61H	SSPBUF	SSP Receive Buffer/Transmit Register								xxxx xxxx	uuuu uuuu	***r***	
63H	URCON	ENSP	ENTX	TX9	TX9D	PARITY			WUE	0000 0..0	0000 0..0	***r***	
64H	URSTA	RC9D		PERR	FERR	OERR	RCIDL	TRMT	ABDOVF	.000 0110	.000 0110	-r,r,r,r,r,r,r,w0	
65H	BAUDCON					ENCR	RC9	ENADD	ENABD	.... 0000	.... 0000	***r***	
66H	BRGRH	Baud Rate Generator Register High Byte								...x xxxx	...u uuuu	***r***	
67H	BRGRL	Baud Rate Generator Register Low Byte								xxxx xxxx	uuuu uuuu	***r***	
68H	TXREG	UART Transmit Register								xxxx xxxx	uuuu uuuu	***r***	
69H	RCREG	UART Receive Register								xxxx xxxx	uuuu uuuu	r,r,r,r,r,r,r,f	
6AH	PT4	PT4.7	PT4.6	PT4.5	PT4.4					xxxx ....	uuuu ....	r,r,r,r,r,r,r,f	
6BH	PT4DA	DA4.7	DA4.6	DA4.5	DA4.4					1111 ....	1111 ....	***r***	
6CH	PT4PU	PU4.7	PU4.6	PU4.5	PU4.4					0000 ....	0000 ....	***r***	
6DH	PT1	PT1.7	PT1.6	PT1.5	PT1.4	PT1.3	PT1.2	PT1.1	PT1.0	xxxx xxxx	uuuu uuuu	***r,r,r,r	
6EH	TRISC1	TC1.7	TC1.6	TC1.5	TC1.4					0000 ....	0000 ....	***r***	
6FH	PT1DA					DA1.2				.... .0.	.... .0.	***r***	
70H	PT1PU	PU1.7	PU1.6	PU1.5	PU1.4	PU1.3	PU1.2	PU1.1	PU1.0	0000 0000	0000 0000	***r***	
71H	PT1M1					INTEG1[1:0]		INTEG0[1:0]		.... 0000	.... 0000	***r***	
72H	PT1M2	PM1.7[0]		PM1.6[0]		PM1.5[0]		PM1.4[0]		.0.0 .0.0	.0.0 .0.0	***r***	
74H	PT2	PT2.7	PT2.6	PT2.5	PT2.4	PT2.3	PT2.2	PT2.1	PT2.0	xxxx xxxx	uuuu uuuu	***r***	
75H	TRISC2	TC2.7	TC2.6	TC2.5	TC2.4	TC2.3	TC2.2	TC2.1	TC2.0	0000 0000	0000 0000	***r***	
77H	PT2PU	PU2.7	PU2.6	PU2.5	PU2.4	PU2.3	PU2.2	PU2.1	PU2.0	0000 0000	0000 0000	***r***	
78H	PT2M1	PM2.2[1]		PM2.2[0]						..00 ....	..00 ....	***r***	
79H	PT2M2	PWMTR[1:0]				PM2.5[1]	PM2.5[0]	PM2.4[1]	PM2.4[0]	00.. 0000	00.. 0000	***r***	
192H	PT5							PT5.1	PT5.0	.... ..xx	.... ..uu	***r,r,r,r,f	
193H	PT5DA							DA5.1	DA5.0	.... ..11	.... ..11	***r***	
194H	PT5PU							PU5.1	PU5.0	.... ..00	.... ..00	***r***	
80H – FFH	GENERAL PURPOSE REGISTER @ 128Byte								xxxx xxxx	uuuu uuuu	***r***		
100H–17FH	GENERAL PURPOSE REGISTER @ 128Byte								xxxx xxxx	uuuu uuuu	***r***		

Table 5-1(b) HY11P23 Register List (continued)

## 6. Electrical Characteristics

Absolute maximum ratings over operating free-air temperature (unless otherwise noted)

Voltage applied at $V_{DD}$ to $V_{SS}$ .....	-0.2 V to 4.0 V
Voltage applied to any pin .....	-0.2 V to $V_{DD} + 0.3$ V
Voltage applied to RST/VPP pin .....	-0.2 V to 6.9 V
Voltage applied to TST/PT1.3 pin .....	-0.2 V to $V_{DD} + 1$ V
Diode current at any device terminal .....	$\pm 2$ mA
Storage temperature, Tstg: (unprogrammed device) .....	-55°C to 150°C
(programmed device) .....	-40°C to 85°C
Total power dissipation .....	0.5w
Maximum output current sink by any PORT1 to PORT3 I/O pin .....	.25mA

### 6.1 Recommended Operating Conditions

$T_A = -40^\circ\text{C} \sim 85^\circ\text{C}$ , unless otherwise noted

Sym.	Parameter		Test Conditions	Min.	Typ.	Max.	unit
$V_{DD}$	Supply Voltage		All digital peripherals and CPU	2.2		3.6	V
			Analog peripherals	2.4		3.6	
$V_{SS}$	Supply Voltage			0		0	
XT	External Oscillator Frequency	Watch crystal	$V_{DD} = 2.2\text{V}$ , ENXT[0]=1	XTSP[0]=0, XTHSP[0]=0		32.768K	Hz
		Ceramic resonator		XTSP[0]=1, XTHSP[0]=0		450K      8M	
		Crystal		XTSP[0]=1, XTHSP[0]=0		1M      8M	

**6.2 Internal RC Oscillator**

$T_A = 25^\circ\text{C}, V_{DD} = 3.0\text{V}$ , unless otherwise noted

Sym.	Parameter	Test Conditions	Min.	Typ.	Max.	unit
HAO	High Speed Oscillator frequency	ENHAO[0]=1	1.7	2.0	2.3	MHz
LPO	Low Power Oscillator frequency	$V_{DD}$ supply voltage be enable LPO	22	28	35	KHz

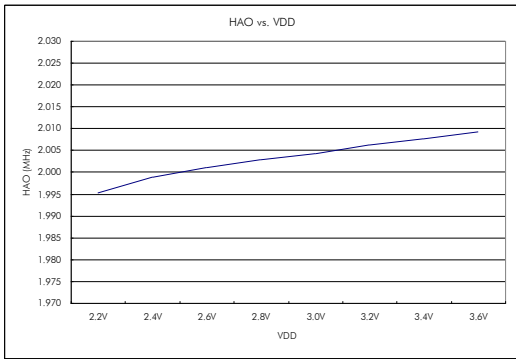


Figure 6.2-1 HAO vs. VDD

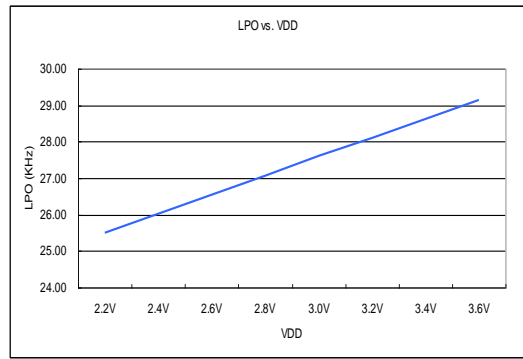


Figure 6.2-2 LPO vs. VDD

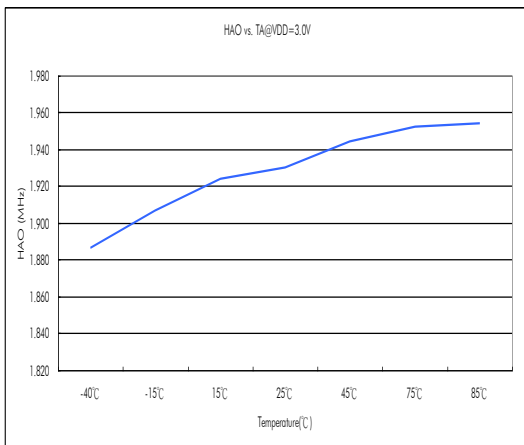


Figure 6.2-3 HAO vs. Temperature

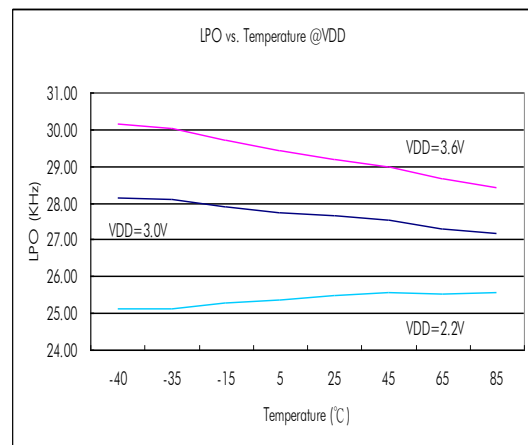


Figure 6.2-4 LPO vs. Temperature



**6.3 Supply Current into VDD Excluding Peripherals Current**

$T_A = 25^\circ\text{C}, V_{DD} = 3.0\text{V}, \text{OSC\_LPO} = 28\text{KHz}$ , unless otherwise noted

Sym.	Parameter	Test Conditions	Min.	Typ.	Max.	unit
$I_{AM1}$	Active mode 1	OSC_CY = 8MHz, OSC_HAO = off, CPU_CK = 8MHz		1.2	2	mA
$I_{AM2}$	Active mode 2	OSC_CY = off, OSC_HAO = 2MHz, CPU_CK = 2MHz		0.32	0.55	mA
$I_{AM3}$	Active mode 3	OSC_CY = off, OSC_HAO = 2MHz, CPU_CK = 1MHz		0.18	0.3	mA
$I_{LP1}$	Low Power 1	OSC_CY = 32768Hz, OSC_HAO = off, CPU_CK = 16384Hz		7	12	$\mu\text{A}$
$I_{LP2}$	Low Power 2	OSC_CY = off, OSC_HAO = off, CPU_CK = LPO, Idle state		1.65	3	$\mu\text{A}$
$I_{LP3}$	Low Power 3	OSC_CY = off, OSC_HAO = off, CPU_CK = off, Sleep state		0.65	1.2	$\mu\text{A}$

OSC\_CY : External Oscillator frequency.

OSC\_HAO : Internal High Accuracy Oscillator frequency.

CPU\_CK : CPU core work frequency.

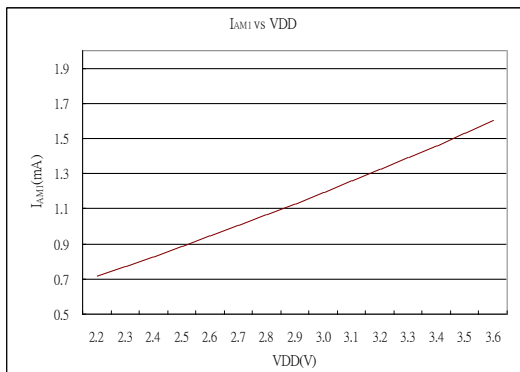


Figure 6.3-1  $I_{AM1}$  vs. VDD

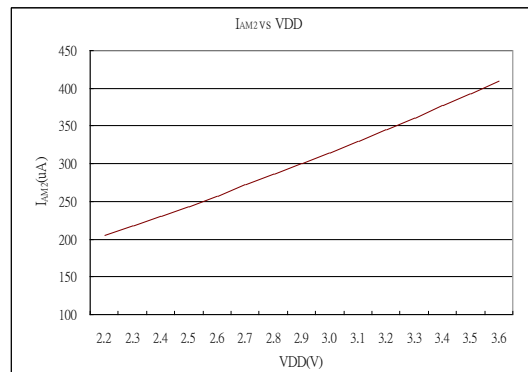


Figure 6.3-2  $I_{AM2}$  vs. VDD

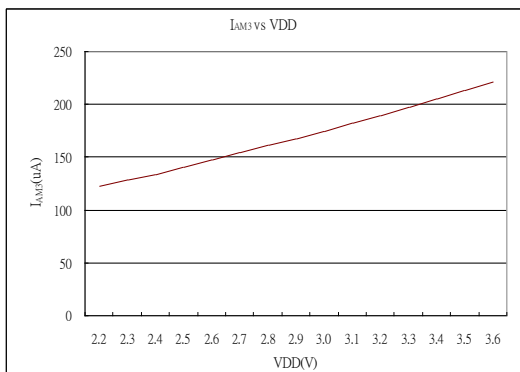


Figure 6.3-3  $I_{AM3}$  vs. VDD

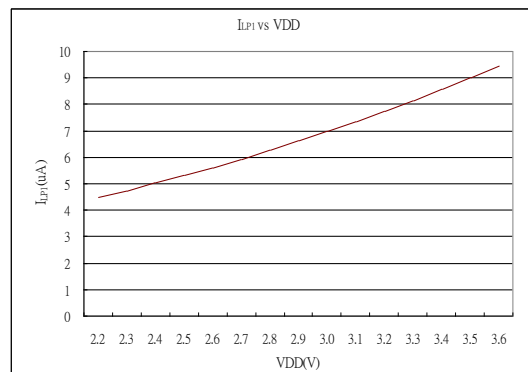


Figure 6.3-4  $I_{LP1}$  vs. VDD

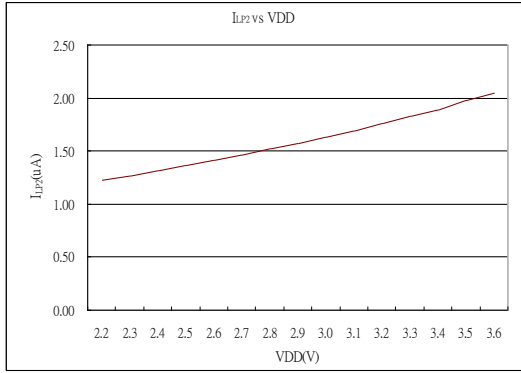


Figure 6.3-5 I<sub>LP2</sub> vs. VDD

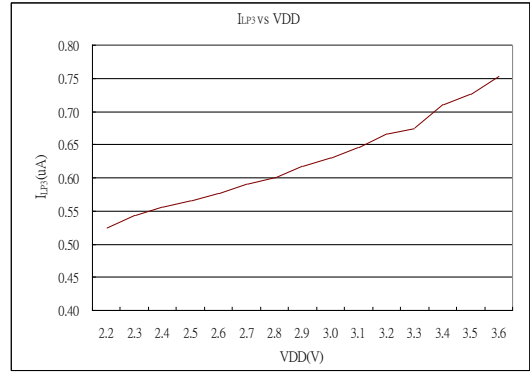


Figure 6.3-6 I<sub>LP3</sub> vs. VDD

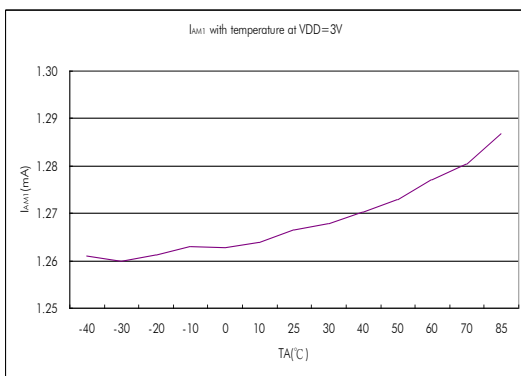


Figure 6.3-7 I<sub>AM1</sub> vs. Temperature

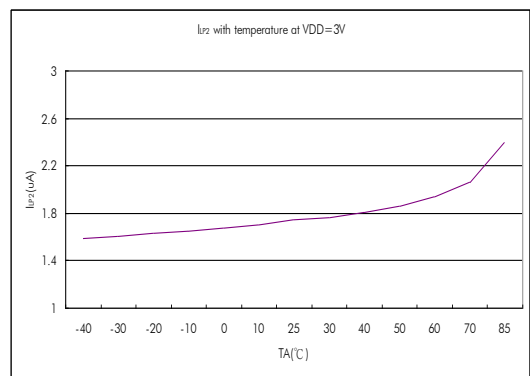


Figure 6.3-8 I<sub>LP2</sub> vs. Temperature

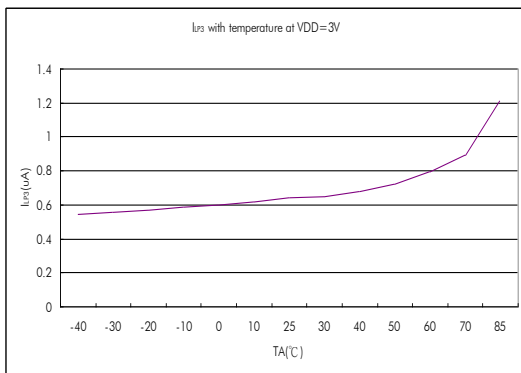


Figure 6.3-9 I<sub>LP3</sub> vs. Temperature

**6.4 Port 1~5**

$T_A = 25^\circ\text{C}, V_{DD} = 3.0\text{V}$ , unless otherwise noted

Sym.	Parameter	Test Conditions	Min.	Typ.	Max.	unit
<b>Input voltage and Schmitt trigger and leakage current and timing</b>						
$V_{IH}$	High-Level input voltage				2.1	V
$V_{IL}$	Low-Level input voltage		0.9			
$V_{hys}$	Input Voltage hysteresis( $V_{IH} - V_{IL}$ )			0.8		V
$I_{LKG}$	Leakage Current				0.1	$\mu\text{A}$
$R_{PU}$	Port pull high resistance			180		$\text{k}\Omega$
<b>Output voltage and current and frequency</b>						
$V_{OH}$	High-level output voltage	$I_{OH}=10\text{mA}$	$V_{DD} - 0.3$			V
$V_{OL}$	Low-level output voltage	$I_{OL}=-10\text{mA}$		$V_{SS} + 0.3$		

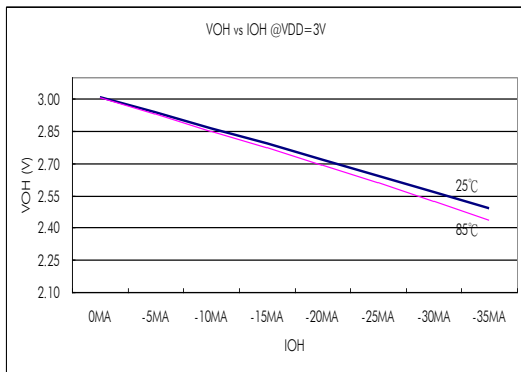


Figure 6.4-1  $V_{OH}$  vs.  $I_{OH}$  @  $V_{DD}=3.0\text{V}$

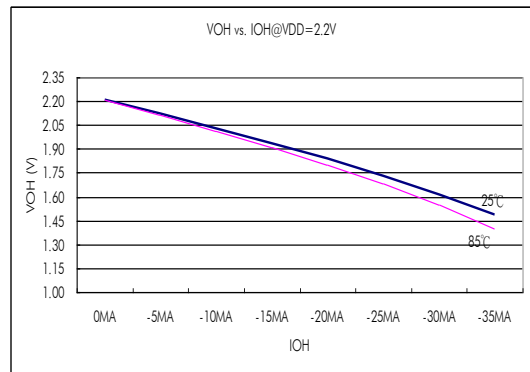


Figure 6.4-2  $V_{OH}$  vs.  $I_{OH}$  @  $V_{DD}=2.2\text{V}$

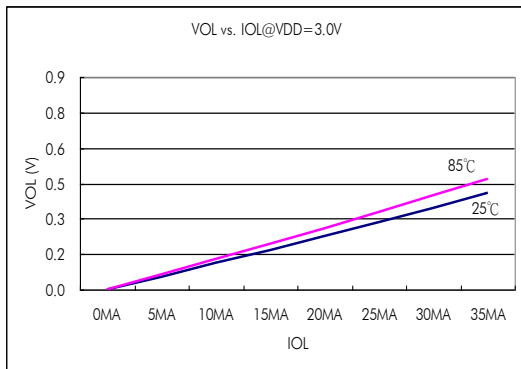


Figure 6.4-3  $V_{OL}$  vs.  $I_{OL}$  @  $V_{DD}=3.0\text{V}$

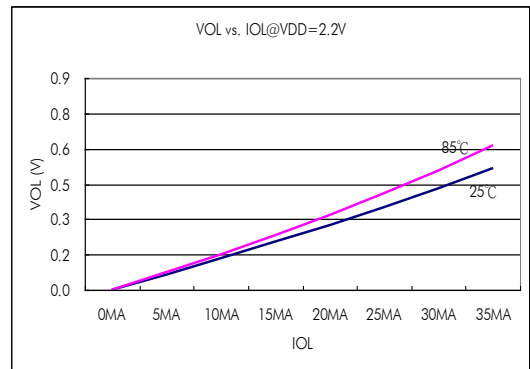


Figure 6.4-4  $V_{OL}$  vs.  $I_{OL}$  @  $V_{DD}=2.2\text{V}$

## 6.5 Reset (Brownout, External RST Pin, Low Voltage Detect)

$T_A = 25^\circ\text{C}, V_{DD} = 3.0\text{V}$ , unless otherwise noted

Sym.	Parameter	Test Conditions	Min.	Typ.	Max.	unit	
BOR	Pulse length needed to accepted reset internally, $t_{d-LVR}$		2			us	
	$V_{DD}$ Start Voltage to accepted reset internally (L $\rightarrow$ H), $V_{LVR}$		1.6	1.85	2.1	V	
	Hysteresis, $V_{HYS-LVR}$			70		mV	
RST	Pulse length needed as RST/VPP pin to accepted reset internally, $t_{d-RST}$		2			us	
	Input Voltage to accepted reset internally		0.9			V	
	Hysteresis, $V_{HYS-RST}$			0.8		V	
LVD	Operation current, $I_{LVD}$			10	15	uA	
	External input voltage to compare reference voltage			1.2		V	
	Compare reference voltage temperature drift	$T_A = -40^\circ\text{C} \sim 85^\circ\text{C}$		100		ppm/ $^\circ\text{C}$	
	Detect $V_{DD}$ voltage rang by user option, $V_{LVD} VLDx[3:0]=1110b$			3.3		V	
	Detect $V_{DD}$ voltage rang by user option, $V_{LVD} VLDx[3:0]=1101b$			3.2			
	Detect $V_{DD}$ voltage rang by user option, $V_{LVD} VLDx[3:0]=1100b$			3.1			
	Detect $V_{DD}$ voltage rang by user option, $V_{LVD} VLDx[3:0]=1011b$			3.0			
	Detect $V_{DD}$ voltage rang by user option, $V_{LVD} VLDx[3:0]=1010b$			2.9			
	Detect $V_{DD}$ voltage rang by user option, $V_{LVD} VLDx[3:0]=1001b$			2.8			
	Detect $V_{DD}$ voltage rang by user option, $V_{LVD} VLDx[3:0]=1000b$			2.7			
	Detect $V_{DD}$ voltage rang by user option, $V_{LVD} VLDx[3:0]=0111b$			2.6			
	Detect $V_{DD}$ voltage rang by user option, $V_{LVD} VLDx[3:0]=0110b$			2.5			
	Detect $V_{DD}$ voltage rang by user option, $V_{LVD} VLDx[3:0]=0101b$			2.4			
	Detect $V_{DD}$ voltage rang by user option, $V_{LVD} VLDx[3:0]=0100b$			2.3			
	Detect $V_{DD}$ voltage rang by user option, $V_{LVD} VLDx[3:0]=0011b$			2.2			
	Detect $V_{DD}$ voltage rang by user option, $V_{LVD} VLDx[3:0]=0010b$			2.1			
Detect $V_{DD}$ voltage rang by user option, $V_{LVD} VLDx[3:0]=0001b$			2.0				
BOR : Brownout Reset LVR : Low Voltage Reset of BOR LVD : Low Voltage Detect RST : External Reset pin							

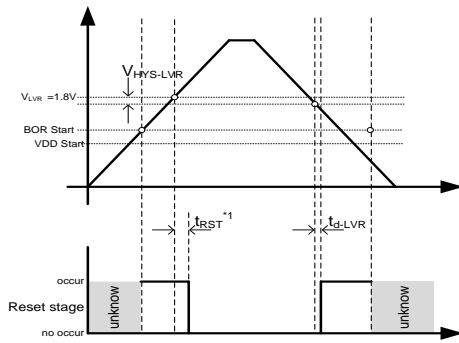


Figure 6.5-1 BOR Reset Diagram

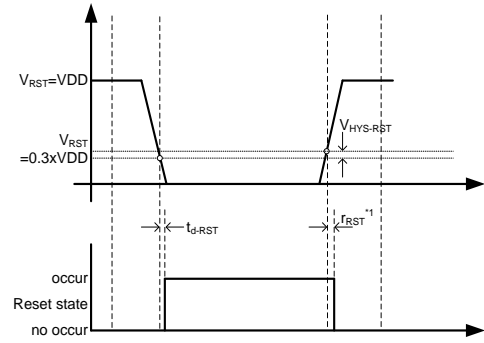


Figure 6.5-2 RST Reset Diagram

\*1  $t_{RST}$  : Please see BOR Introduce of HY11Pxx series User's Guide (UG-HY11S14-Vxx).

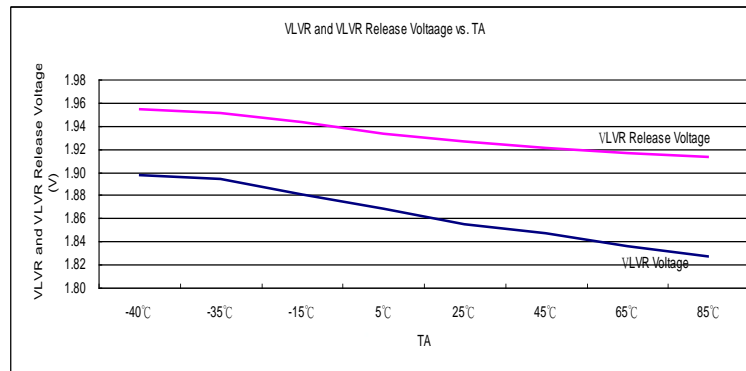


Figure 6.5-3 LVR vs. Temperature

## 6.6 Power System

$T_A = 25^\circ\text{C}, V_{DD} = 3.0\text{V}$ , unless otherwise noted

Sym.	Parameter	Test Conditions		Min.	Typ.	Max.	unit	
VDDA	VDDA operation current, $I_{VDDA}$	$I_L = 0\text{mA}$	VDDAX[1:0]=00b		22		$\mu\text{A}$	
	Select VDDA output voltage	$I_L = 0.1\text{mA}$ , $V_{DD} \geq V_{DDA} + 0.2\text{V}$	VDDAX[1:0]=00b		3.3		V	
			VDDAX[1:0]=01b		2.9		V	
			VDDAX[1:0]=10b		2.6		V	
			VDDAX[1:0]=11b		2.4		V	
	Dropout voltage	$I_L = 10\text{mA}$	VDDAX[1:0]=00b			135		mV
			VDDAX[1:0]=01b			150		mV
VDDAX[1:0]=10b					165		mV	
VDDAX[1:0]=11b					180		mV	
Temperature drift	VDDAX[1:0]=11b	$T_A = -40^\circ\text{C} \sim 85^\circ\text{C}$		50		ppm/ $^\circ\text{C}$		
$V_{DD}$ Voltage drift	$I_L = 0.1\text{mA}$	$V_{DD} = 2.5\text{V} \sim 3.6\text{V}$		$\pm 0.2$		%/V		
ACM	ACM operation current, $I_{ACM}$	$I_L = 0\text{mA}$			20		$\mu\text{A}$	
	Output voltage, $V_{ACM}$	ENACM[0]=1, *1	$I_L = 0\mu\text{A}$		1.0		V	
	Output voltage with Load		$I_L = \pm 200\mu\text{A}$	0.98		1.02	$V_{ACM}$	
	Output voltage, $V_{ACM}$	ENACM[0]=1, *2	$I_L = 0\mu\text{A}$		1.2		V	
	Output voltage with Load		$I_L = \pm 200\mu\text{A}$	0.98		1.02	$V_{ACM}$	
	Temperature drift	ENACM[0]=1,	$T_A = -40^\circ\text{C} \sim 85^\circ\text{C}$		50		ppm/ $^\circ\text{C}$	
	VDDA Voltage drift	$I_L = 10\mu\text{A}$			100		$\mu\text{V}/\text{V}$	

VDDA : Adjust Voltage Regulator

ACM : Analog Common Mode Voltage

\*1:  $V_{ACM} = 1.0\text{V}$  is just for VDDAX[1:0]=1xb mode. (at A/D differential voltage reference < 1.4V)

\*2:  $V_{ACM} = 1.2\text{V}$  is just for VDDAX[1:0]=0xb mode. (at A/D differential voltage reference > 1.4V)

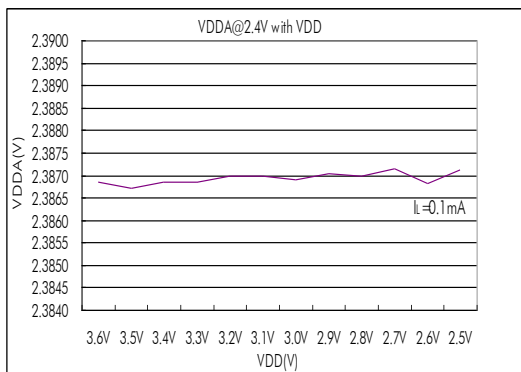


Figure 6.6-1 VDDA  $I_L=0.1\text{mA}$  vs. VDD

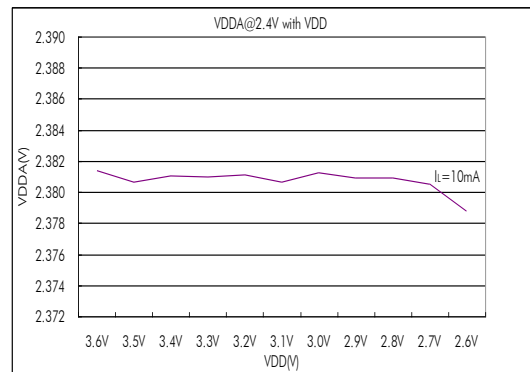


Figure 6.6-2 VDDA  $I_L=10\text{mA}$  vs. VDD

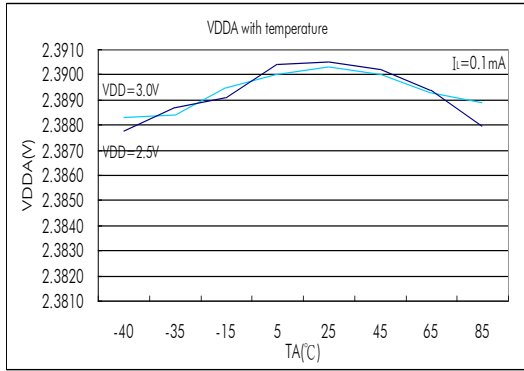


Figure 6.6-3 VDDA  $I_L=0.1\text{mA}$  vs. Temperature

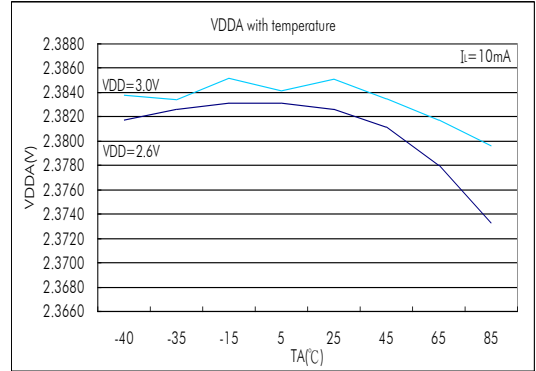


Figure 6.6-4 VDDA  $I_L=10\text{mA}$  vs. Temperature

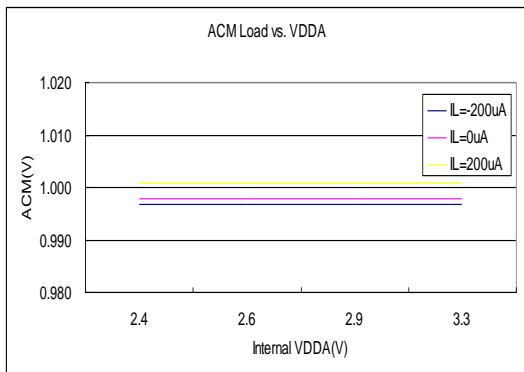


Figure 6.6-5 ACM Load vs. VDDA (a)

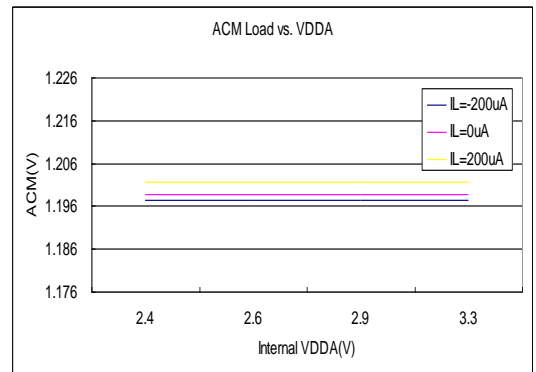


Figure 6.6-5 ACM Load vs. VDDA (b)

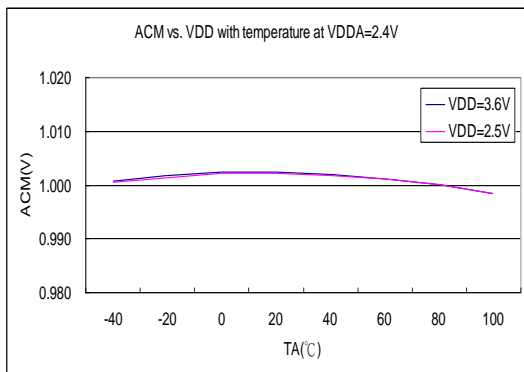


Figure 6.6-6 ACM vs. Temperature (a)

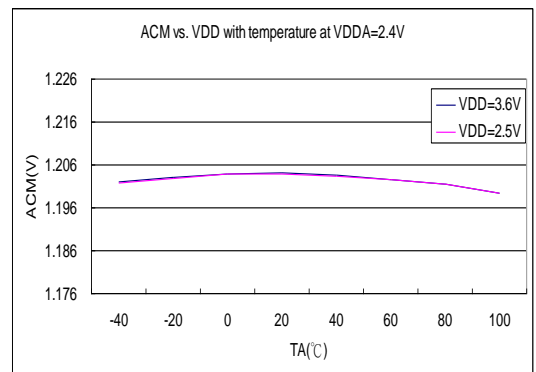


Figure 6.6-6 ACM vs. Temperature (b)

## 6.7 Low Noise OPAMP

$T_A = 25^\circ\text{C}, V_{DD} = 3.0\text{V}, V_{DDA}=2.4\text{V}$ , unless otherwise noted

Sym.	Parameter	Test Conditions		Min.	Typ.	Max.	unit
$V_{LNOP}$	Supply voltage at VDDA	ENVDDA[0]=0		2.4		3.6	V
$I_{LNOP}$	Operation supply current		OPM[1:0]=xxb		200		$\mu\text{A}$
$V_{OS-OP}$	Input offset voltage without chopper.		OPM[1:0]=1xb	-2		2	mV
	Input offset voltage with chopper		OPM[1:0]=0xb		20		$\mu\text{V}$
	Input offset voltage temperature drift.	OPM[1:0]=00b OPM[1:0]=10	$T_A=-40^\circ\text{C} \sim 85^\circ\text{C}$		0.1 2		$\mu\text{V}/^\circ\text{C}$
$V_{OLR}$	Unit gain load regulation	$V_o=1.2\text{V},$ $V_{DDA}=2.4\text{V}$	$I_L=+1\text{mA}$		0.1		% $V_o$
			$I_L=-1\text{mA}$				
CMVR	Common-mode voltage input range		OPM[1:0]=xxb	0.1		$V_{DDA}-1.1$	V
CMRR	Common-mode rejection ratio		OPM[1:0]=xxb		90		dB

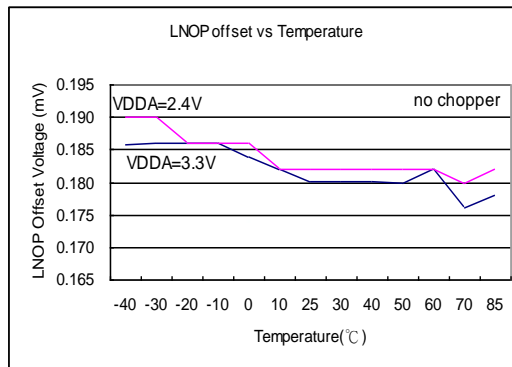


Figure 6.7-1 LNOP Offset Temperature



## 6.8 SD18, Power Supply and Recommended Operating Conditions

$T_A = 25^\circ\text{C}, V_{DD} = 3.0\text{V}, V_{DDA}=2.4\text{V}$ , unless otherwise noted

Sym.	Parameter	Test Conditions	Min.	Typ.	Max.	unit
$V_{SD18}$	Supply Voltage at VDDA	ENVDDA[0]=0	2.4		3.6	V
$f_{SD18}$	Modulator sample frequency, ADC_CK		25	250	300	KHz
	Over Sample Ratio, OSR		256		32768	
$I_{SD18}$	Operation supply current without PGA	ENADC[0]=1 INBUF[0]=1,VRBUF[0]=0		168		uA
		ENADC[0]=1 INBUF[0]=0,VRBUF[0]=1	GAIN =4, ADC_CK=250KHz	150		
		ENADC[0]=1 INBUF[0]=0,VRBUF[0]=0		120		

### 6.8.1 PGA, Power Supply and Recommended Operating Conditions

$T_A = 25^\circ\text{C}, V_{DD} = 3.0\text{V}, V_{DDA}=2.4\text{V}$ , unless otherwise noted

Sym.	Parameter	Test Conditions	Min.	Typ.	Max.	unit
$V_{PGA}$	Supply Voltage at VDDA	ENVDDA[0]=0	2.4		3.6	V
$I_{PGA}$	Operation supply current	PGAGN[1:0]=<01>or<1x>		320		uA
$G_{PGA}$	Gain temperature drift	$T_A = -40^\circ\text{C} \sim 85^\circ\text{C}$ GAIN=128		5		ppm/ $^\circ\text{C}$

### 6.8.2 SD18, Performance II (fSD18=250KHz)

$T_A = 25^\circ\text{C}, V_{DD} = 3.0\text{V}, V_{DDA}=2.9\text{V}, V_{VR}=1.0\text{V}, \text{GAIN}=1$  without PGA, unless otherwise noted

Sym.	Parameter	Test Conditions	Min.	Typ.	Max.	unit
INL	Integral Nonlinearity(INL)	$V_{DDA}=2.4\text{V}, V_{VR}=1.0\text{V}, \Delta\text{SI}=\pm 200\text{mV}$		$\pm 0.003$	$\pm 0.01$	%FSR
		$V_{DDA}=2.4\text{V}, V_{VR}=1.0\text{V}, \Delta\text{SI}=\pm 450\text{mV}$				
	No Missing Codes <sup>3</sup>	ADC_CK=250KHz, OSR[2:0]=010b	23			Bits
$G_{SD18}$	Temperature drift Gain 1~x16 (INBUF[0]=0b, Gain 1~x4 (INBUF[0]=1b,)	INBUF[0]=0b,VRBUF[0]=0b	$T_A = -40^\circ\text{C} \sim 85^\circ\text{C}$	2		ppm/ $^\circ\text{C}$
		INBUF[0]=1b,VRBUF[0]=0b				
		INBUF[0]=0b,VRBUF[0]=1b				
		INBUF[0]=1b,VRBUF[0]=1b				
$E_{OS}$	Offset error of Full Scale Rang input voltage range with Chopper and Buffer(INBUF,VRBUF) without PGA	$\Delta\text{AI}=0\text{V}$ $\Delta\text{VR}=0.9\text{V}$	Gain=2		1	%FSR
	Offset error of Full Scale Rang input voltage range with Chopper without PGA and Buffer(INBUF,VRBUF)	DCSET[2:0]=<000> * $\Delta\text{AI}$ is external short	Gain=2		1	
	Offset temperature drift with		GAIN=1		2	uV/ $^\circ\text{C}$

	chopper without PGA and Buffer (INBUF,VRBUF).		GAIN=2	1	
			GAIN=4	0.5	
			GAIN=16	0.15	
	Offset temperature drift with chopper and Buffer (INBUF,VRBUF) without PGA.	GAIN=1	2		
		GAIN=2	1		
		GAIN=4	0.5		
Offset temperature drift with chopper without Buffer (INBUF,VRBUF).			GAIN=128	0.02	
CM <sub>SD18</sub>	Common-mode rejection	V <sub>CM</sub> =0.7V to 1.7V, V <sub>VR</sub> =1.0V, without PGA	V <sub>SI</sub> =0V, GAIN=1	90	dB
		V <sub>CM</sub> =0.7V to 1.7V, V <sub>VR</sub> =1.0V, without PGA	V <sub>SI</sub> =0V, GAIN=16	75	
PSRR	DC power supply rejection	V <sub>D</sub> DA=3.0V, $\Delta$ V <sub>D</sub> DA=±100mV, V <sub>VR</sub> =1.0V, V <sub>SI</sub> =1.2V, V <sub>SI</sub> =1.2V,	GAIN=1 PGA=off	75	dB
			GAIN=16 PGA=8		

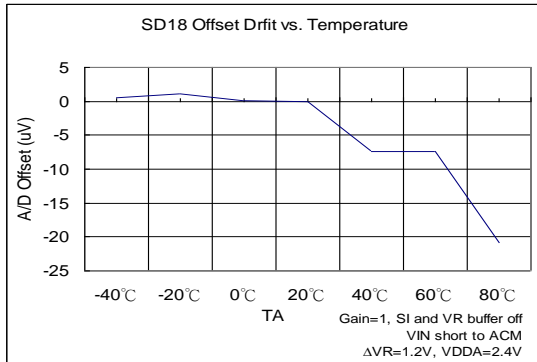


Figure 6.8-1(a) SD18 Offset Temperature Drift

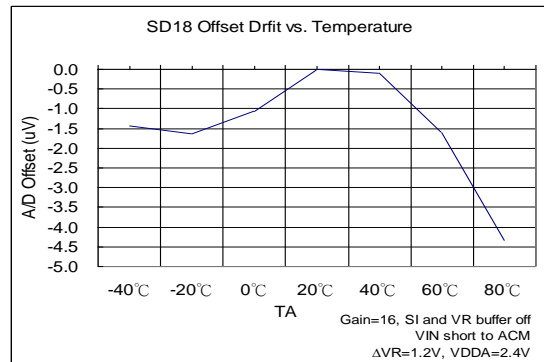


Figure 6.8-1(b) SD18 Offset Temperature Drift

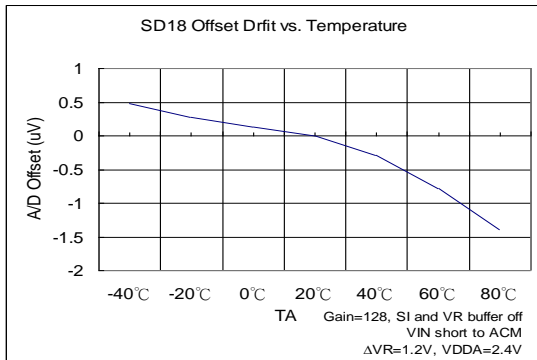


Figure 6.8-1I SD18 Offset Temperature Drift

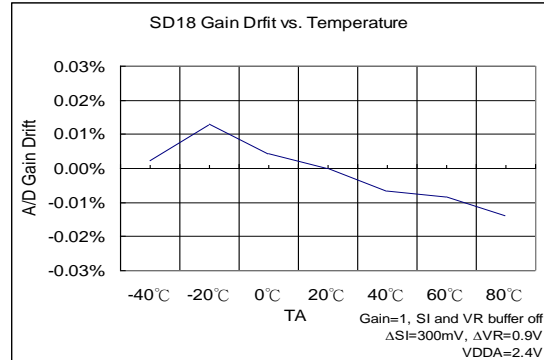


Figure 6.8-2(a) SD18 Gain Drift with Temperature

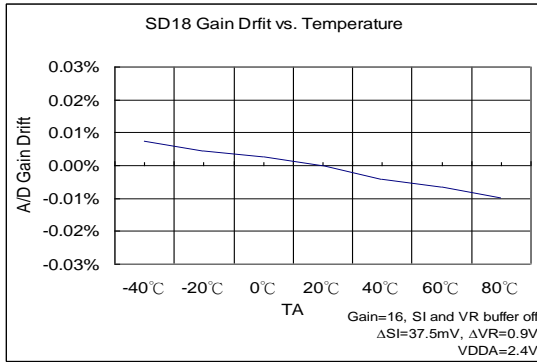


Figure 6.8-2(b) SD18 Gain Drift with Temperature

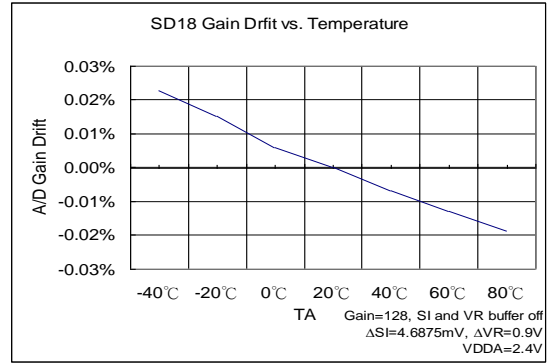


Figure 6.8-2(c) SD18 Gain Drift with Temperature

### 6.8.3 SD18, Temperature Sensor

$T_A = 25^\circ\text{C}$ ,  $V_{DD} = 3.0\text{V}$ ,  $V_{DDA} = 3.3\text{V}$ , unless otherwise noted

Sym.	Parameter	Test Conditions	Min.	Typ.	Max.	unit
TC <sub>S</sub>	Sensor temperature drift			178		$\mu\text{V}/^\circ\text{C}$
KT	Absolute Temperature Scale 0°K	INBUF[0]=1		-289		$^\circ\text{C}$
TC <sub>ERR</sub>	One point calibrate error temperature	Calibration at 25 $^\circ\text{C}$ of -40 $^\circ\text{C}$ ~85 $^\circ\text{C}$		$\pm 2$		$^\circ\text{C}$

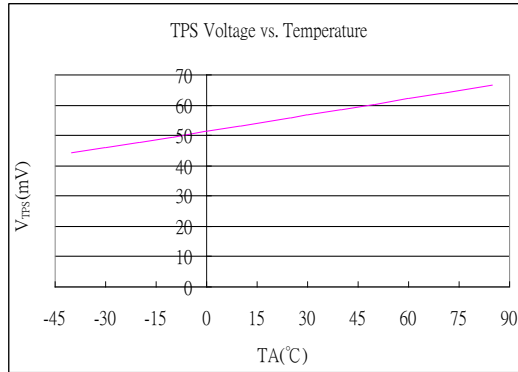


Figure 6.8-3 TPS Output Voltage vs. Temperature Drift

## 6.8.4 SD18 Noise Performance

$T_A = 25^\circ\text{C}$ ,  $V_{DD} = 3.0\text{V}$ ,  $V_{DDA} = 2.4\text{V}$ , unless otherwise noted

HY11P23 provides important input noise specification that aims at SD18. Table 6.8-4 (a) and Table 6.8-4 (b) lists out the relations of typical noise specification, Gain, Output rate, and maximum input voltage of single end. Test condition configuration and external input signal short, voltage reference: 1.2V and 1024 records were sampled.

<b>ENOB(RMS) with OSR/GAIN at A/D Clock=250Khz, VDDA=2.4V, VREF=1.2V</b>													
Max. Vin(mV) =0.9*VREF <sup>(1)</sup>	OSR				256	512	1024	2048	4096	8192	16384	32768	
	Output rate(HZ)				977	488	244	122	61	31	15	8	
	Gain	=	PGA	x									ADGN
±2400	0.25	=	1	x	0.25	16.3	17.4	17.9	18.5	19.0	19.5	20.0	20.4
±2160	0.5	=	1	x	0.5	16.3	17.3	17.9	18.4	18.9	19.4	19.8	20.2
±1080	1	=	1	x	1	16.2	17.2	17.8	18.3	18.8	19.3	19.7	20.1
±540	2	=	1	x	2	16.1	17.1	17.6	18.2	18.7	19.2	19.6	20.0
±270	4	=	1	x	4	16.0	16.9	17.5	18.0	18.5	18.9	19.4	19.8
±135	8	=	1	x	8	15.9	16.6	17.2	17.7	18.2	18.7	19.2	19.6
±68	16	=	1	x	16	15.6	16.3	16.8	17.3	17.7	18.3	18.8	19.3
±34	32	=	2	x	16	14.8	15.3	15.9	16.4	16.9	17.4	17.8	18.3
±17	64	=	4	x	16	14.5	15.0	15.5	16.0	16.5	17.0	17.5	18.0
±8	128	=	8	x	16	14.0	14.6	15.1	15.6	16.0	16.6	17.0	17.5

(1) Max.Vin (mV) is the max. input voltage of single end to ground (VSS).

Table 6.8-4(a) SD18 ENOB Table

<b>RMS Noise(uV) with OSR/GAIN at A/D Clock=250Khz, VDDA=2.4V, VREF=1.2V</b>													
Max. Vin(mV) =0.9*VREF	OSR				256	512	1024	2048	4096	8192	16384	32768	
	Output rate(HZ)				977	488	244	122	61	31	15	8	
	Gain	=	PGA	x									ADGN
±2400	0.25	=	1	x	0.25	121.08	57.40	38.74	26.66	18.39	13.21	9.49	6.98
±2160	0.5	=	1	x	0.5	61.63	29.23	19.21	13.51	9.78	7.02	5.12	3.91
±1080	1	=	1	x	1	32.21	15.70	10.25	7.31	5.19	3.77	2.80	2.13
±540	2	=	1	x	2	16.59	8.54	5.91	4.06	2.86	2.06	1.48	1.12
±270	4	=	1	x	4	9.00	4.84	3.33	2.37	1.67	1.19	0.87	0.65
±135	8	=	1	x	8	5.04	2.97	2.02	1.44	1.01	0.73	0.51	0.39
±68	16	=	1	x	16	3.03	1.84	1.29	0.92	0.70	0.46	0.33	0.24
±34	32	=	2	x	16	2.61	1.81	1.27	0.89	0.62	0.45	0.32	0.23
±17	64	=	4	x	16	1.66	1.13	0.80	0.56	0.41	0.29	0.20	0.14
±8	128	=	8	x	16	1.13	0.77	0.55	0.38	0.28	0.19	0.14	0.10

Table 6.8-4(b) SD18 RMS Noise Table

The RMS noise is referred to the input. The Effective Number of Bits (ENOB (RMS Bit)) is defined as:

$$\text{ENOB(RMS)} = \frac{\ln\left(\frac{\text{FSR}}{\text{RMS Noise}}\right)}{\ln(2)}$$

$$\text{RMS Noise} = \frac{\left(2 \times \text{VREF} \times \sqrt{\sum_{k=1}^{1024} (\text{ADO}[k] - \text{Average})^2}\right)}{2^{23}}$$

Where FSR (Full - Scale Range) =  $2 \times \text{VREF}/\text{Gain}$ .

$$\text{Average} = \frac{\sum_{k=1}^{1024} (\text{ADO}[k])}{1024}$$

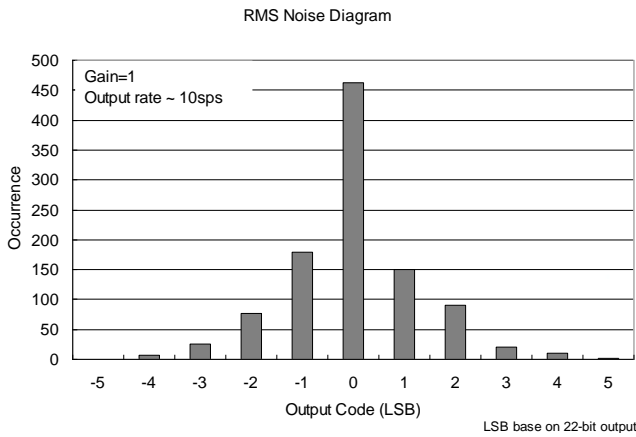


Figure 6.8-4(a) RMS Noise Diagram

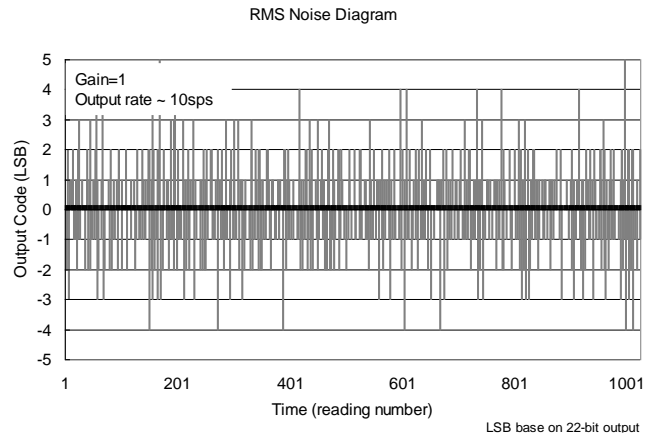


Figure 6.8-4(b) Output Code Diagram

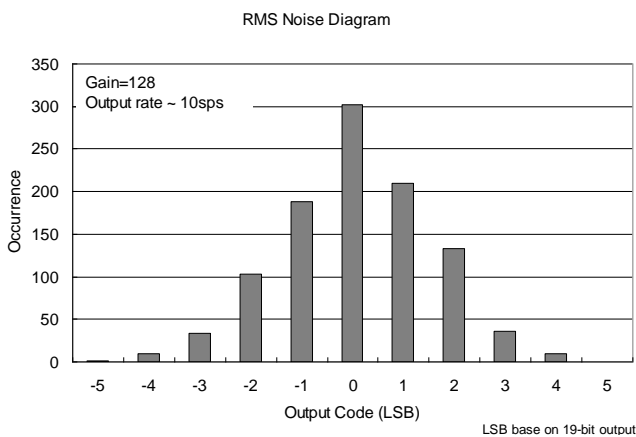


Figure 6.8-4(c) RMS Noise Diagram

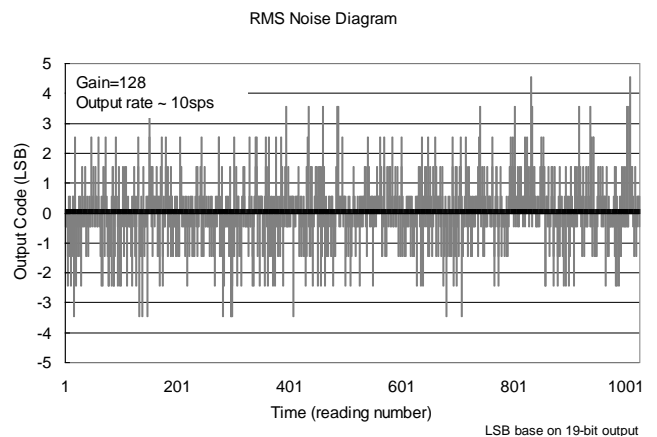


Figure 6.8-4(d) Output Code Diagram

## 7. Ordering Information

Device No. <sup>1</sup>	Package Type	Pins	Package Drawing		Code <sup>2</sup>	Shipment Packing Type	Unit Q'ty	Material Composition	MSL <sup>3</sup>
HY11P23-D000	Die	-	D	000	000	-	200	Green <sup>4</sup>	-
HY11P23-L032	LQFP	32	L	032	000	Tray	250	Green <sup>4</sup>	MSL-3
HY11P23-NS32	QFN	32	N	032	000	Tray	490	Green <sup>4</sup>	MSL-3
HY11P23-E028	SSOP	28	E	028	000	Tube	48	Green <sup>4</sup>	MSL-3
HY11P23-E028	SSOP	28	E	028	000	Tape & Reel	2000	Green <sup>4</sup>	MSL-3

### <sup>1</sup> Device No.: Model No. – Package Type Description – Code (Blank Code/ Standard/ Customized Programming Code)

Ex: Your customized programming code is 008 and you require die shipment.

The device No. will be HY11P23-D000-008.

Ex: You request blank code in die package.

The device No. will be HY11P23-D000.

Ex: You request blank code in LQFP 32 package.

The device No. will be HY11P23-L032.

And please clearly indicate the shipment packing type when placing orders.

Ex: Your customized programming code is 009 and you require products in QFN32 package.

The device No. will be HY11P23-NS32-009.

And please clearly indicate the shipment packing type when placing orders.

### <sup>2</sup> Code:

“001”~ “999” is standard or customized programming code. Blank code does not have these numbers.

### <sup>3</sup> MSL:

The Moisture Sensitivity Level ranking conforms to IPC/JEDEC J-STD-020 industry standard categorization. The products are processed, packed, transported and used with reference to IPC/JEDEC J-STD-033.

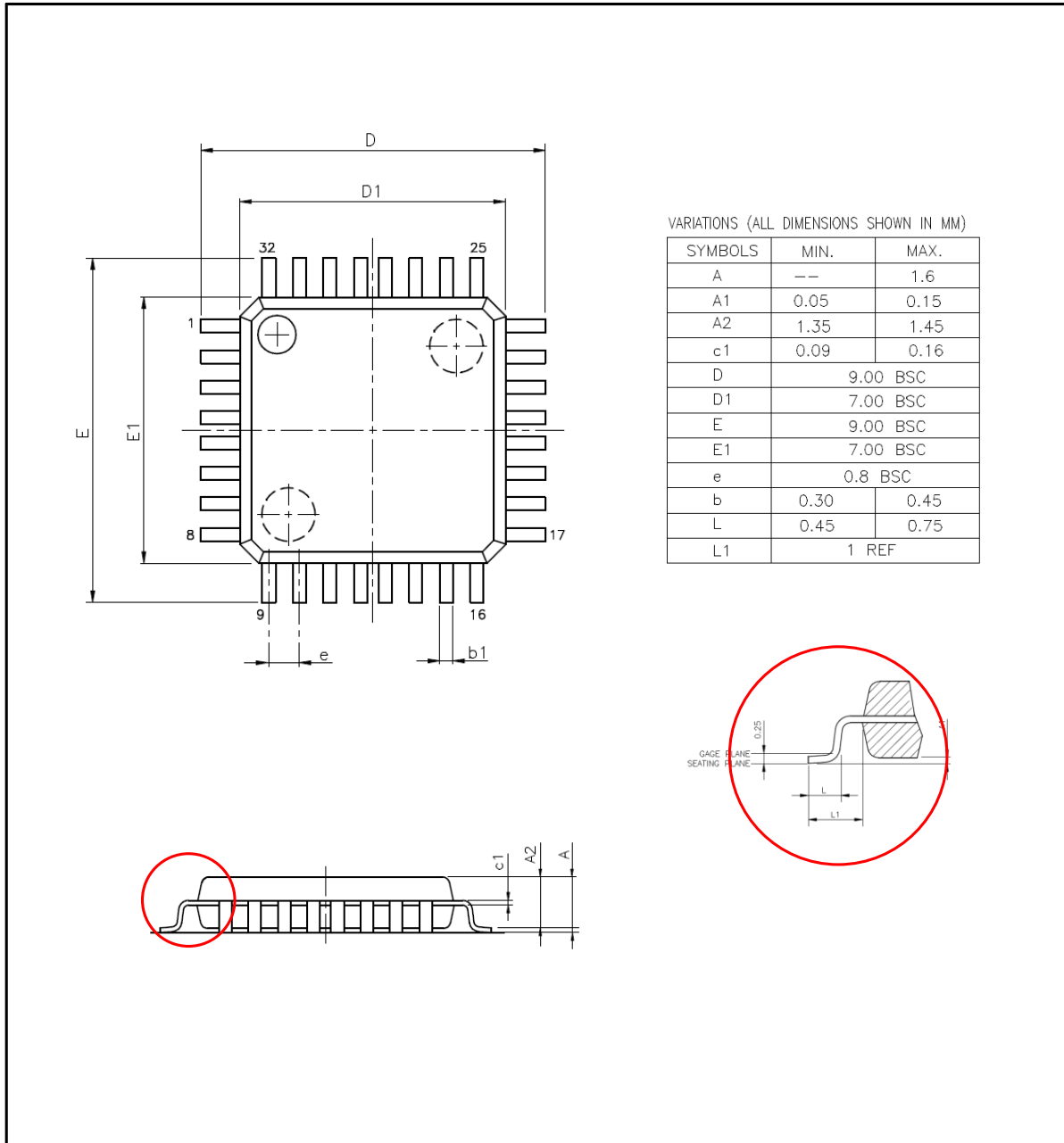
### <sup>4</sup> Green (RoHS & no Cl/Br):

HYCON products are Green products that are compliant with RoHS directive, SVHC under REACH and Halogen free.

## 8. Package Information

### 8.1 LQFP32(L032)

#### 8.1.1 Package Dimensions



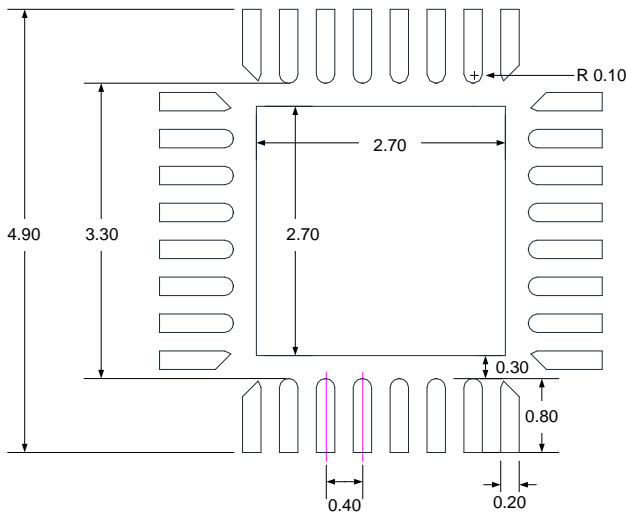
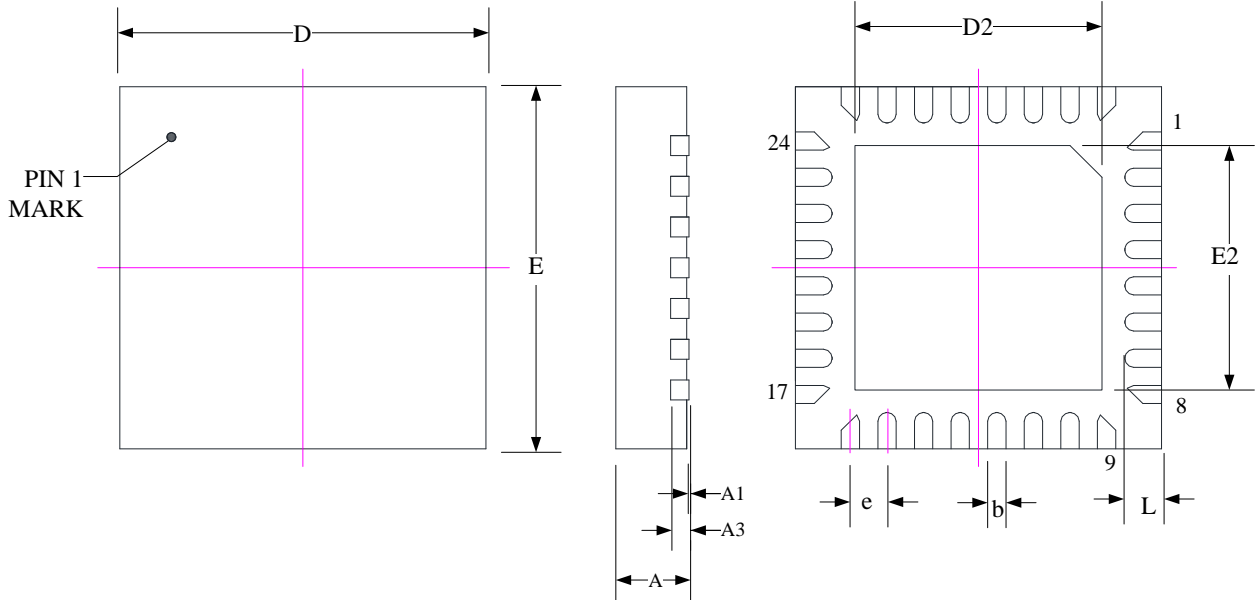
Note:

1. All dimensions refer to JEDEC OUTLINE MS-026.
2. Do not include Mold Flash or Protrusions.
3. Unit : mm



## 8.2 QFN32(NS32)

### 8.2.1 Package Dimensions



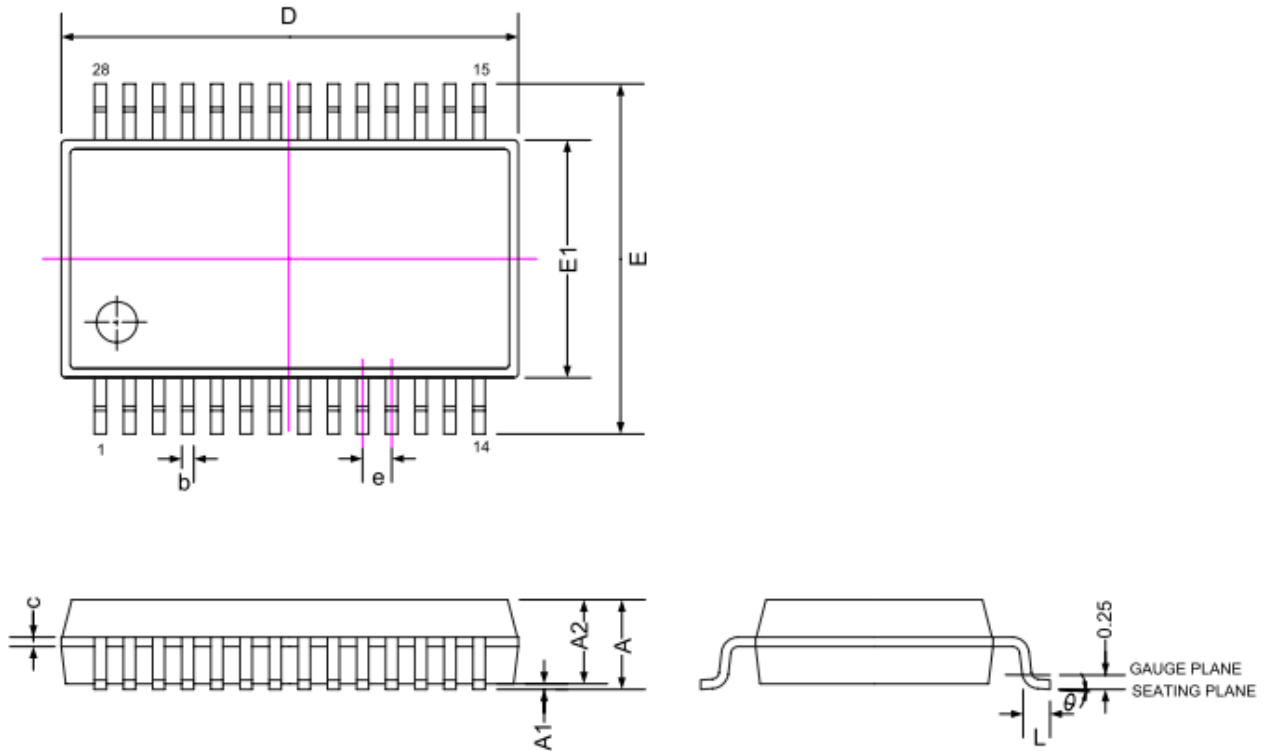
SYMBOLS	MIN	NOM	MAX
A	0.50	0.55	0.60
A1	0.00	0.02	0.05
A3	0.15 REF.		
b	0.15	0.20	0.25
D	3.90	4.00	4.10
E	3.90	4.00	4.10
D2	2.65	2.70	2.75
E2	2.65	2.70	2.75
L	0.25	0.30	0.35
e	0.40 BASIC		

Note:

1. All dimensions refer to JEDEC OUTLINE MO-220.
2. Unit : mm
3. <http://www.hycontek.com/attachments/MSP/OJT1-HM-2013-002.pdf>

## 8.3 SSOP28(E028, 209mil)

### 8.3.1 Package Dimensions



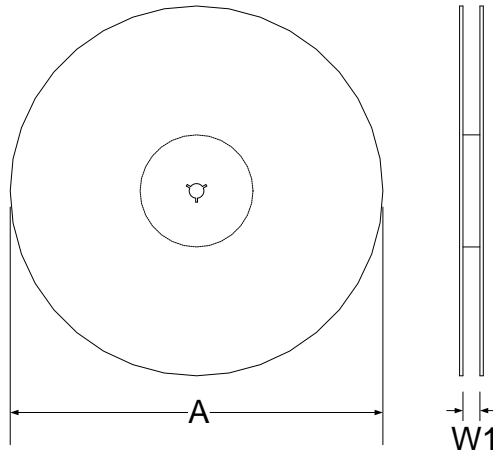
SYMBOLS	MIN	NOM	MAX
A	-	-	2.00
A1	0.05	-	-
A2	1.65	1.75	1.85
b	0.22	-	0.38
c	0.09	-	0.25
D	10.05	10.20	10.50
E1	5.00	5.30	5.60
E	7.65	7.80	7.90
L	0.55	0.75	0.95
e	0.65 BASIC		
$\theta^\circ$	0	4	8

Note:

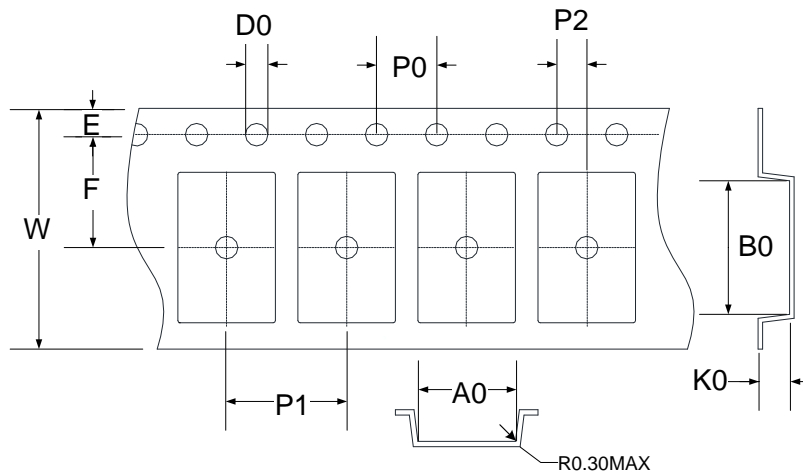
1. All dimensions refer to JEDEC OUTLINE MO-150.
2. Do not include Mold Flash or Protrusions.
3. Unit : mm

### 8.3.2 Tape & Reel Informations

### 8.3.2.1 Reel Dimensions



### 8.3.2.2 Carrier Tape Dimension

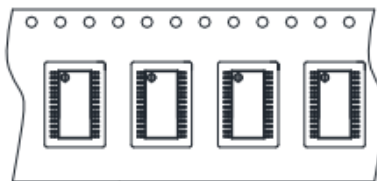


SYMBOLS	Reel Dimensions		Carrier Tape Dimensions									
	A	W1	A0	B0	K0	P0	P1	P2	E	F	D0	W
Spec.	330	24.5	8.40	10.65	2.40	4.00	12.00	2.00	1.75	11.50	1.50	24.00
Tolerance	+6/-3	+1.5/-0	±0.10	±0.10	±0.10	±0.10	±0.10	±0.10	±0.10	±0.10	+0.1/-0	±0.30

Unit: mm

Note: 10 Sprocket hole pitch cumulative tolerance is  $\pm 0.20$ mm.

### 8.3.2.3 Pin1 Direction



## 9. Revision History

Major differences are stated thereafter:

Version	Page	Revision Summary
V04	ALL	First edition
V07		With reference to documentation: DS-HY11P23-V07_TC
	4	Features revision
	5~8	Chapter 2 Pin Definition revision
	9~11	Chapter 3 Application Circuit revision
	13~14	Chapter 5 Register List revision
	22~23	Chapter 6.6 Power System revision
	24	Chapter 6.7 Low Noise OPAMP revision
	25~27	Chapter 6.8.2 SD18, Performance II revision
V08	13	Chapter 5 Register List revision
V10	4	Features revision
	5	Delete P-DIP32 package type, add in QFN32 package type
	7	Chapter 2 Pin Definition revision
	22~23	Chapter 6.6 Power System revision
	29	Delete HY11P23-P032 ordering information, add in QFN32 ordering information
	31	Delete HY11P23-P032 package information, add in QFN32 package information
V11	4	Revised features content
	5	Add in Note 3 description
	9~11	Revised application circuit, add in RC circuit of RST
	12	Revised Internal Block Diagram
V15	5	Features revision
	13	Revised 4.2 Development Tool Related Operating Instruction serial numbers
	14	Add 4.3 SD18 Network
	17	Chapter 6 Electrical Characteristics revision
	24	Chapter 6.6 Power System revision
	25	Revised the background color of diagrams
	31~32	Add 6.8.4 SD18 Noise Performance
	33	Chapter 7 Ordering information revision
	35	Revised QFN32 (N032) package type
V16	7	Added in QFN32 Pinout I/O Description (LQFP32/QFN32)
	15	Added in 4.4 Low Noise OPAMP Network
V17	6	Added in Comparison Sheet
	8	Added in SSOP28 Pin Definition
	9	Chapter 2.4 LQFP32/QFN32 pins name revision.
	12~14	Added in SSOP28 Pinout I/O Description

# HY11P23

Embedded 18-Bit  $\Sigma\Delta$ ADC

## 8-Bit RISC-Like Mixed Signal Microcontroller

---



	39	Chapter 7 Ordering Information revision
	42	Added in SSOP28(E028) package type
V18	24	Revise HAO specification
V19	ALL	Remove QFN32(N032) package type, added QFN32(NS32) package type
	39	Update Green (RoHS & no Cl/Br)
	43	Added SSOP28(E028) Tape & Reel Information