



# ***HY16F3981***

## **Datasheet**

**High Precision Mixed-Signal Controller**  
**4x32 ~ 6x30 LCD Driver**  
**32-Bit Low Power MCU**  
**21-bit ENOB  $\Sigma\Delta$ ADC**  
**64KB Flash**

## Table of Contents

<b>1. FEATURES</b> .....	<b>6</b>
<b>2. PIN DEFINITION</b> .....	<b>8</b>
2.1. HY16F3981 series pin diagram .....	8
2.2. Pin Description .....	10
2.3. Package marking information .....	19
<b>3. APPLICATION CIRCUIT</b> .....	<b>20</b>
3.1. IR Measurement Application Circuit(LQFP64 support LCD).....	20
3.2. IR Measurement Application Circuit(SSOP28 non-support LCD).....	21
3.3. Blood Pressure Sensor(LQFP64 support LCD).....	22
3.4. Blood Pressure Sensor(SSOP28 non-support LCD).....	23
<b>4. FUNCTION OUTLINE</b> .....	<b>24</b>
4.1. Internal Block Diagram.....	24
4.2. Building Block Diagram.....	25
4.3. Related Description and Supporting Document.....	25
4.4. Clock System Network.....	26
4.5. Power System Network.....	27
4.6. 24-bit ΣΔADC Network.....	28
4.7. IA(Instrumentation Amplifier) Network .....	29
4.8. Rail-to-rail operation amplifier Network.....	29
4.9. 12-bit Resistance Ladder Network.....	30
4.10. Low voltage Comparator Network.....	31
4.11. Watch Dog Timer Network .....	32

4.12.	Timer A Network.....	33
4.13.	Timer B Network.....	34
4.14.	Timer C Network .....	35
4.15.	Timer B2 Network.....	36
4.16.	32-bit SPI Diagram.....	37
4.17.	UART Block Diagram .....	38
4.18.	I2C Block Diagram .....	39
4.19.	Hardware RTC Block Diagram.....	39
4.20.	LCD Function Configuration.....	40
<b>5.</b>	<b>ELECTRICAL CHARACTERISTICS .....</b>	<b>41</b>
5.1.	Recommended Operating Conditions.....	41
5.2.	Clock System .....	43
5.3.	Power Management System.....	46
5.4.	Reset Management System.....	48
5.5.	GPIO Port.....	49
5.6.	ΣΔADC ENOB and RMS Noise .....	50
5.7.	ADC Management System .....	53
5.8.	Internal Temperature Sensor.....	54
5.9.	12-Bit Resistance Ladders.....	55
5.10.	Rail to Rail OPA Management System .....	56
5.11.	LVD Comparator Management System .....	57
5.12.	LCD System.....	58
<b>6.</b>	<b>ORDERING INFORMATION.....</b>	<b>60</b>

**HY16F3981 Datasheet**  
**21-bit ENOB ΣΔADC, 32-bit MCU & 64KB Flash**  
**4X32~6X30 LCD Driver**



---

6.1.	HY16F3981 Series Device No. Selection .....	60
<b>7.</b>	<b>PACKAGE INFORMATION.....</b>	<b>61</b>
7.1.	LQFP 7*7 64L(L064) Dimensions .....	61
7.2.	SSOP28 (209mil) Dimensions .....	62
<b>8.</b>	<b>REVISION RECORD.....</b>	<b>64</b>

**Attention:**

- 1、HYCON Technology Corp. reserves the right to change the content of this datasheet without further notice. For most up-to-date information, please constantly visit our website: <http://www.hycontek.com>.
- 2、HYCON Technology Corp. is not responsible for problems caused by figures or application circuits narrated herein whose related industrial properties belong to third parties.
- 3、Specifications of any HYCON Technology Corp. products detailed or contained herein stipulate the performance, characteristics, and functions of the specified products in the independent state. We does not guarantee of the performance, characteristics, and functions of the specified products as placed in the customer's products or equipment. Constant and sufficient verification and evaluation is highly advised.
- 4、Please note the operating conditions of input voltage, output voltage and load current and ensure the IC internal power consumption does not exceed that of package tolerance. HYCON Technology Corp. assumes no responsibility for equipment failures that resulted from using products at values that exceed, even momentarily, rated values listed in products specifications of HYCON products specified herein.
- 5、Notwithstanding this product has built-in ESD protection circuit, please do not exert excessive static electricity to protection circuit.
- 6、Products specified or contained herein cannot be employed in applications which require extremely high levels of reliability, such as device or equipment affecting the human body, health/medical equipments, security systems, or any apparatus installed in aircrafts and other vehicles.
- 7、Despite the fact that HYCON Technology Corp. endeavors to enhance product quality as well as reliability in every possible way, failure or malfunction of semiconductor products may happen. Hence, users are strongly recommended to comply with safety design including redundancy and fire-precaution equipments to prevent any accidents and fires that may follow.
- 8、Use of the information described herein for other purposes and/or reproduction or copying without the permission of HYCON Technology Corp. is strictly prohibited.

## 1. Features

### Digital Circuit

- 32-bit MCU 1T Andes Core E801
- Supports C development environment instruction set
- 2.2V to 3.6V operational voltage.
- -40 to 85°C operational environment
- Low power operation:
  - Normal Mode:0.6mA@CPU\_CK:2MHz/2
  - Idle Mode:5uA@LSRC=35KHz
  - Sleep Mode:Typ.2.5uA
- 64K Byte Flash ROM
  - Write/Erase cycle times: 20,000 cycles
  - Write/Read/Erase operating voltage: 2.7V~3.6V
- 8K Byte SRAM
- 16-bit Timer A, Timer B(x2), Timer C
- 16-bit PWM controller & capture function
- SPI/ UART(x2)/I2C communication Hardware IP
- RTC Hardware IP
- 4x32 ~ 6x30 LCD Driver
  - Support 1/3, 1/4, 1/5, 1/6 duty @ 1/3 bias mode
  - R-type, External VLCD Application
  - Built-in 4-segment VLCD bias
  - 3.3V, 3.0V, 2.8V, or 2.6V internal charge pump VLCD, and 5-stage VLCD voltage can be provided through a calibration VLCD trim function.
- Programmable Multiplexed I/O:
  - General purpose digital output port
  - Optional LCD port or digital output port

### Analog Circuit

- Operation voltage 2.4V to 3.6V
- An ultra low noise 24-bit  $\Sigma$  ADC
  - ADC support x1 ~ x8 signal amplification, built-in instrumentation amplifier (IA)
  - x4 ~ x32 signal amplification, the maximum input magnification up to 256
  - The input reference signal can be resolved to 1.1 uVrms (Gain = 256)
  - Highest conversion rate of up to 15Ksps
- External High Speed Oscillator Max 16MHz
- External Low Speed Oscillator Mode 32768Hz
- Internal High Speed Oscillator Max 16MHz
- Internal Low Speed Oscillator 35KHz
- Power management
  - Build-in selectable VDDA voltage LDO
  - 1.2V Band gap reference output
- A rail-to-rail operation amplifier
  - CMOS input, 1MHz bandwidth
  - Can use as comparator
- A resistor ladders can be used as 12-bit Resistance Ladder
  - Programmable potentiometer
  - Monotonic guarantee
  - With OPAMP can be designed for 12-BIT DAC
- Low voltage comparator
  - Low Voltage Detection
  - Supports external voltage input comparison

**HY16F3981 Datasheet**  
**21-bit ENOB ΣΔADC, 32-bit MCU & 64KB Flash**  
**4X32~6X30 LCD Driver**

Part No.	24-bit ΣΔADC	Flash (byte)	SRAM (byte)	R2R OPAMP	DAC	Temp. Sensor	RTC	I/O	PWM	Serial Interface	LCD	ISP Mode	Pin
HY16F3981-L064	(7+2)-CH	64K	8K	1	12bits	Y	1	16+36	4-CH	2*UART 32bits SPI I2C	4x32 6x30	Y	LQFP64
HY16F3981-E028	(7+2)-CH	64K	8K	1	12bits	Y	1	17	4-CH	2*UART 32bits SPI I2C	-	Y	SSOP28

## 2. Pin Definition

### 2.1. HY16F3981 series pin diagram

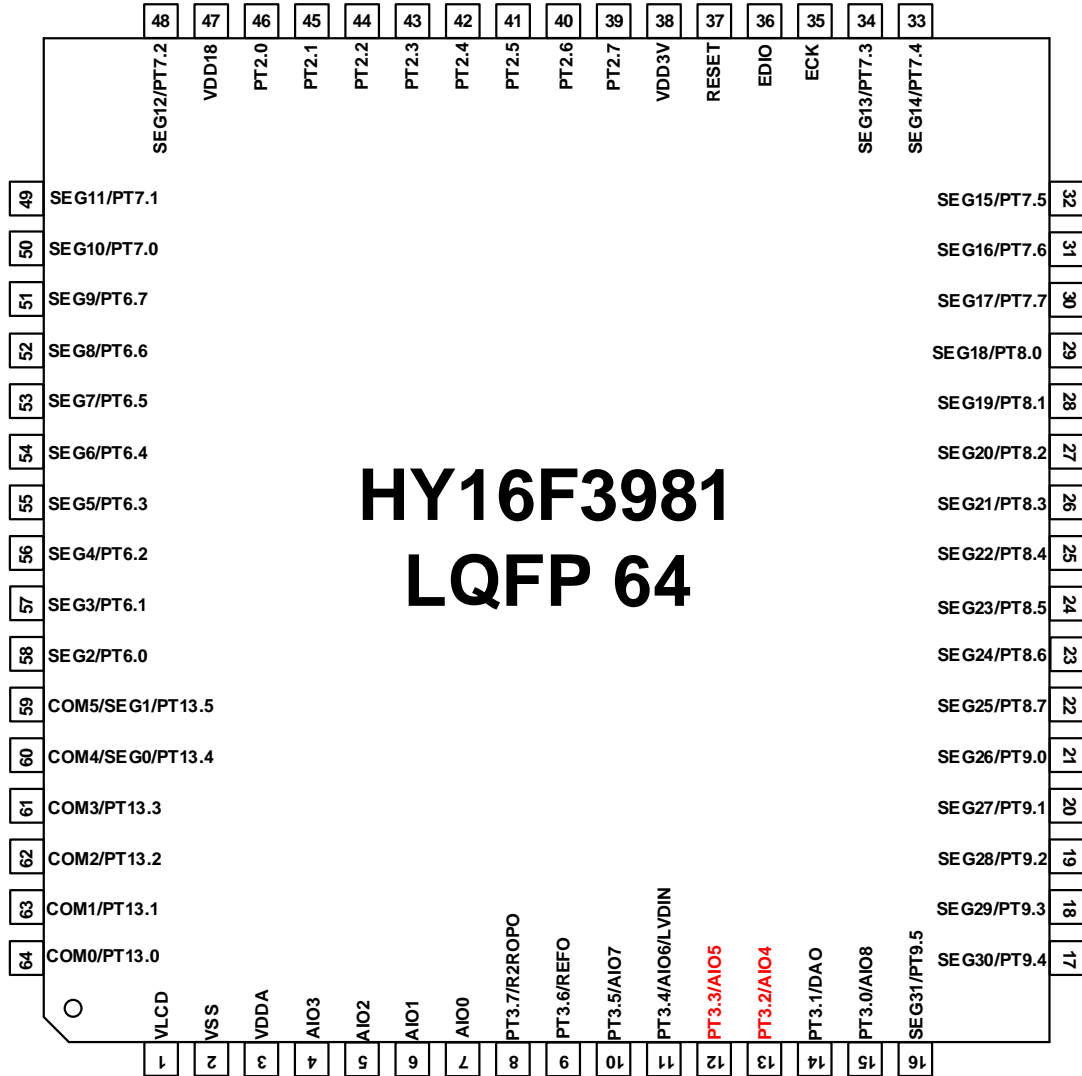


Figure 2-1-1 HY16F3981 LQFP64 Pin Diagram



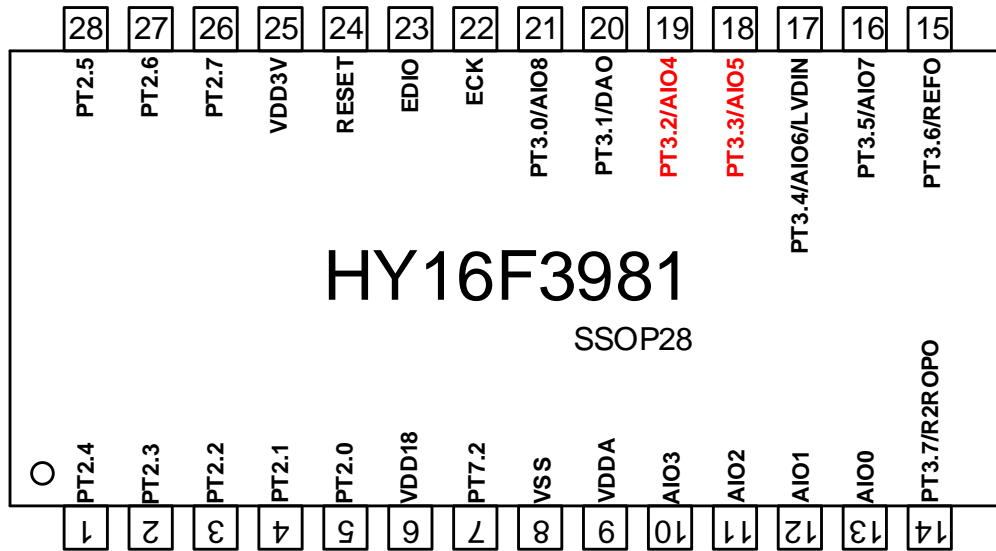


Figure 2-1-2 HY16F3981 SSOP28 Diagram

## 2.2. Pin Description

### 2.2.1. HY16F3981 Pin definition

TYPE Definition : I = Digital Input. O = Digital Output. OD = Open-drain Output.

AI = Analog Input. AO = Analog Output. P = Power Connection.

Name	HY16F3981-L064	HY16F3981-E028	Type	Pin Name	Description
VLCD	1	-	PIO	VLCD	LCD Power Supply Output, or Power Supply Input, 10uF Cap to VSS.
VSS	2	8	PI	VSS	System Power Ground
VDDA	3	9	PIO	VDDA	Analog Power Supply, LDO Output, or Analog Power Input , 1uF~10uF Cap to VSS.
AIO3	4	10	AI	AIO3	ADC Analog Input Signal Port AIO3
AIO2	5	11	AI	AIO2	ADC Analog Input Signal Port AIO2
AIO1	6	12	AI	AIO1	ADC Analog Input Signal Port AIO1
AIO0	7	13	AI	AIO0	ADC Analog Input Signal Port AIO0
PT3.7	8	14	IO	PT3.7	Digital Input/ Output Pin
			AO	R2ROPO	Rail-to-rail OPAMP Analog Output Pin R2ROPO
			I	INT3.7	External interrupt INT3.7 input pin
PT3.6	9	15	IO	PT3.6	Digital Input/ Output Pin
			PIO	REFO	Reference Voltage output 1.2V, 0.1 uF Cap to VSS.
			I	INT3.6	External interrupt INT3.6 input pin
PT3.5	10	16	IO	PT3.5	Digital Input/ Output Pin
			AI	AIO7	ADC Analog Input Signal Port AIO7
			I	INT3.5	External interrupt INT3.5 input pin
PT3.4	11	17	IO	PT3.4	Digital Input/ Output Pin
			AI	AIO6	ADC Analog Input Signal Port AIO6
			I	INT3.4	External interrupt INT3.4 input pin
			AI	LVDIN	LVDIN Low Voltage Comparator External Input Pin LVDIN
PT3.3	12	18	IO	PT3.3	Digital Input/ Output Pin
			AI	AIO5	ADC Analog Input Signal Port AIO5
			I	INT3.3	External interrupt INT3.3 input pin
PT3.2	13	19	IO	PT3.2	Digital Input/ Output Pin
			AI	AIO4	ADC Analog Input Signal Port AIO4
			I	INT3.2	External interrupt INT3.3 input pin

**HY16F3981 Datasheet**  
**21-bit ENOB ΣΔADC, 32-bit MCU & 64KB Flash**  
**4X32~6X30 LCD Driver**



Name	HY16F3981-L064	HY16F3981-E028	Type	Pin Name	Description
<b>PT3.1</b>	14	20	IO	PT3.1	Digital Input/ Output Pin
			DO	OPO2	OPAMP Digital Output Pin OPO2
			AO	DAO	12-BIT Resistance Ladders Output Pin
			I	INT3.1	External interrupt INT3.1 input pin
<b>PT3.0</b>	15	21	IO	PT3.0	Digital Input/ Output Pin
			DO	OPO1	OPAMP Digital Output Pin OPO1
			AI	AIO8	ADC Analog Input Signal Port AIO8
			I	INT3.0	External interrupt INT3.0 input pin
<b>SEG31</b>	16	-	IO	PT9.5	Digital Input/ Output Pin
			AO	SEG31	LCD Segment Output
			O	PWM1_8	TimerB, PWM1_8 Output Pin
			I	RX_8	EUART Interface RX_8
<b>SEG30</b>	17	-	IO	PT9.4	Digital Input/ Output Pin
			AO	SEG30	LCD Segment Output
			O	PWM0_8	TimerB, PWM0_8 Output Pin
			O	TX_8	EUART Interface TX_8
<b>SEG29</b>	18	-	IO	PT9.3	Digital Input/ Output Pin
			AO	SEG29	LCD Segment Output
			O	PWM3_7	TimerB2, PWM3_7 Output Pin
			O	MOSI_7	SPI Interface MOSI_7(Master output, Slave input)
			I	RX2_7	EUART2 Interface RX2_7
<b>SEG28</b>	19	-	IO	PT9.2	Digital Input/ Output Pin
			AO	SEG28	LCD Segment Output
			O	PWM2_7	TimerB2, PWM2_7 Output Pin
			O	MISO_7	SPI Interface MISO_7(Master input, Slave output)
			O	TX2_7	EUART2 Interface TX2_7
<b>SEG27</b>	20	-	IO	PT9.1	Digital Input/ Output Pin
			AO	SEG27	LCD Segment Output
			O	PWM1_7	TimerB, PWM1_7 Output Pin
			O	CK_7	SPI Communication clock pin CK_7
			I	RX_7	EUART Communication receive pin RX_7
<b>SEG26</b>	21	-	IO	PT9.0	Digital Input/ Output Pin
			AO	SEG26	LCD Segment Output
			O	PWM0_7	TimerB, PWM0_7 Output Pin
			O	CS_7	SPI Communication enable Pin CS_7
			O	TX_7	EUART Communication transmission pin TX_7

**HY16F3981 Datasheet**  
**21-bit ENOB ΣΔADC, 32-bit MCU & 64KB Flash**  
**4X32~6X30 LCD Driver**



Name	HY16F3981-L064	HY16F3981-E028	Type	Pin Name	Description
SEG25	22	-	IO	PT8.7	Digital Input/ Output Pin
			AO	SEG25	LCD Segment Output
			O	PWM3_6	TimerB2, PWM3_6 Output Pin
			O	MOSI_6	SPI Communication data Pin MOSI_6
			I	RX2_6	EUART2 Communication receive pin RX2_6
			I	TCI3_8	TimerB2 Clock Trigger PIN TCI3_8
SEG24	23	-	IO	PT8.6	Digital Input/ Output Pin
			AO	SEG24	LCD Segment Output
			O	PWM2_6	TimerB2, PWM2_6 Output Pin
			O	MISO_6	SPI Communication data Pin MISO_6
			O	TX2_6	EUART2 Communication transmission pin TX2_6
SEG23	24	-	IO	PT8.5	Digital Input/ Output Pin
			AO	SEG23	LCD Segment Output
			O	PWM1_6	TimerB, PWM1_6 Output Pin
			O	CK_6	SPI Communication clock pin CK_6
			I	RX_6	EUART Communication receive pin RX_6
			I	TCI3_7	TimerB2 Clock Trigger pin TCI3_7
SEG22	25	-	IO	PT8.4	Digital Input/ Output Pin
			AO	SEG22	LCD Segment Output
			O	PWM0_6	TimerB, PWM0_6 Output Pin
			O	CS_6	SPI Communication enable Pin CS_6
			O	TX_6	EUART Communication transmission pin TX_6
SEG21	26	-	IO	PT8.3	Digital Input/ Output Pin
			AO	SEG21	LCD Segment Output
			O	PWM3_5	TimerB2, PWM3_5 Output Pin
			O	MOSI_5	SPI Communication data Pin MOSI_5
			I	RX2_5	EUART2 Communication receive pin RX2_5
			I	TCI3_6	TimerB2 Clock Trigger pin TCI3_6
SEG20	27	-	IO	PT8.2	Digital Input/ Output Pin
			AO	SEG20	LCD Segment Output
			O	PWM2_5	TimerB2, PWM2_5 Output Pin
			O	MISO_5	SPI Communication data Pin MISO_5
			O	TX2_5	EUART2 Communication transmission pin TX2_5

**HY16F3981 Datasheet**  
**21-bit ENOB ΣΔADC, 32-bit MCU & 64KB Flash**  
**4X32~6X30 LCD Driver**



Name	HY16F3981-L064	HY16F3981-E028	Type	Pin Name	Description
SEG19	28		IO	PT8.1	Digital Input/ Output Pin
			AO	SEG19	LCD Segment Output
			O	PWM1_5	TimerB, PWM1_5 Output Pin
			O	CK_5	SPI Communication clock pin CK_5
			I	RX_5	EUART Communication receive pin RX_5
			I	TCI3_5	TimerB2 Clock Trigger pin TCI3_5
SEG18	29		IO	PT8.0	Digital Input/ Output Pin
			AO	SEG18	LCD Segment Output
			O	PWM0_5	TimerB, PWM0_5 Output Pin
			O	CS_5	SPI Communication enable pin CS_5
			O	TX_5	EUART Communication transmission pin TX_5
SEG17	30		IO	PT7.7	Digital Input/ Output Pin
			AO	SEG17	LCD Segment Output
			I	TCI3_4	TimerB2 Clock Trigger pin TCI3_4
SEG16	31		IO	PT7.6	Digital Input/ Output Pin
			AO	SEG16	LCD Segment Output
SEG15	32		IO	PT7.5	Digital Input/ Output Pin
			AO	SEG15	LCD Segment Output
			I	TCI3_3	TimerB2 Clock Trigger pin TCI3_3
SEG14	33		IO	PT7.4	Digital Input/ Output Pin
			AO	SEG14	LCD Segment Output
SEG13	34		IO	PT7.3	Digital Input/ Output Pin
			AO	SEG13	LCD Segment Output
			I	TCI3_2	TimerB2 Clock Trigger pin TCI3_2
ECK	35	22	DIO	ECK	Embedded Debug Module (EDM) Clock Input PIN. 100K Resistance to VSS.
EDIO	36	23	DIO	EDIO	Embedded Debug Module (EDM) Data Input/ Output PIN. 100K Resistance to VSS.
RESET	37	24	DI	RESET	Active Low Reset 100K Resistance to VDD3V, 100nF Cap to VSS.
VDD3V	38	25	PI	VDD3V	Power Input For System, 10uF Cap to VSS.

**HY16F3981 Datasheet**  
**21-bit ENOB ΣΔADC, 32-bit MCU & 64KB Flash**  
**4X32~6X30 LCD Driver**



Name	HY16F3981-L064	HY16F3981-E028	Type	Pin Name	Description
PT2.7	39	26	IO	PT2.7	Digital Input/ Output Pin
			XO	HS_XOUT	High Speed Crystal XOUT ,2~16MHz
			I	INT2.7	Interrupt Source INT 2.7
			O	PWM3_4	TimerB2, PWM3_4 Output Pin
			O	MOSI_4	SPI Interface MOSI_4(Master output, Slave input)
			I	RX2_4	EUART2 Interface RX2_4
			I	TCI2_8	Capture Comparator Input Source Pin TCI2_8
			IO	SDA_8	I2C Interface SDA_8
PT2.6	40	27	IO	PT2.6	Digital Input/ Output Pin
			XI	HS_XIN	High Speed Crystal XIN ,2~16MHz
			I	INT2.6	Interrupt Source INT 2.6
			O	PWM2_4	TimerB2, PWM2_4 Output Pin
			I	MISO_4	SPI Interface MISO_4(Master input, Slave output)
			O	TX2_4	EUART2 Interface TX2_4
			I	TCI1_8	Capture Comparator Input Source Pin TCI1_8
			IO	SCL_8	I2C Interface SCL_8
PT2.5	41	28	IO	PT2.5	Digital Input/ Output Pin
			XI	LS_XIN	Low Speed Crystal XIN 32768Hz
			I	INT2.5	Interrupt Source INT 2.5
			O	PWM1_4	TimerB, PWM1_4 Output Pin
			I	CK_4	SPI Interface CK_4
			I	RX_4	EUART Interface RX_4
			I	TCI2_7	Capture Comparator Input Source Pin TCI2_7
			IO	SDA_7	I2C Interface SDA_7
PT2.4	42	1	IO	PT2.4	Digital Input/ Output Pin
			XO	LS_XOUT	Low Speed Crystal XOUT 32768Hz
			I	INT2.4	Interrupt Source INT 2.4
			O	PWM0_4	TimerB, PWM0_4 Output Pin
			I	CS_4	SPI Interface CS_4
			O	TX_4	EUART Interface TX_4
			I	TCI1_7	Capture Comparator Input Source Pin TCI1_7
			IO	SCL_7	I2C Interface SCL_7

**HY16F3981 Datasheet**  
**21-bit ENOB ΣΔADC, 32-bit MCU & 64KB Flash**  
**4X32~6X30 LCD Driver**



Name	HY16F3981-L064	HY16F3981-E028	Type	Pin Name	Description
<b>PT2.3</b>	43	2	IO	PT2.3	Digital Input/ Output Pin
			I	INT2.3	Interrupt Source INT 2.3
			O	PWM3_3	TimerB2, PWM3_3 Output Pin
			O	MOSI_3	SPI Interface MOSI_3(Master output, Slave input)
			I	RX2_3	EUART2 Interface RX2_3
			I	TCI2_6	Capture Comparator Input Source Pin TCI2_6
			IO	SDA_6	I2C Interface SDA_6
<b>PT2.2</b>	44	3	IO	PT2.2	Digital Input/ Output Pin
			I	INT2.2	Interrupt Source INT INT2.2
			O	PWM2_3	TimerB2, PWM2_3 Output Pin
			I	MISO_3	SPI Interface MISO_3(Master input, Slave output)
			O	TX2_3	EUART2 Interface TX2_3
			I	TCI1_6	Capture Comparator Input Source Pin TCI1_6
			IO	SCL_6	I2C Interface SCL_6
<b>PT2.1</b>	45	4	IO	PT2.1	Digital Input/ Output Pin
			I	INT2.1	Interrupt Source INT 2.1
			O	PWM1_3	TimerB, PWM1_3 Output Pin
			I	CK_3	SPI Interface CK_3
			I	RX_3	EUART Interface RX_3
			I	TCI2_5	Capture Comparator Input Source Pin TCI2_5
			IO	SDA_5	I2C Interface SDA_5
<b>PT2.0</b>	46	5	IO	PT2.0	Digital Input/ Output Pin
			I	INT2.0	Interrupt Source INT 2.0
			O	PWM0_3	TimerB, PWM0_3 Output Pin
			I	CS_3	SPI Interface CS_3
			O	TX_3	EUART Interface TX_3
			I	TCI1_5	Capture Comparator Input Source Pin TCI1_5
			IO	SCL_5	I2C Interface SCL_5
<b>VDD18</b>	47	6	PI	VDD18	Digital Power Supply output 1.8V, 1uF Cap to VSS
<b>SEG12</b>	48	7	IO	PT7.2	Digital Input/ Output Pin
			AO	SEG12	LCD Segment Output
<b>SEG11</b>	49	-	IO	PT7.1	Digital Input/ Output Pin
			AO	SEG11	LCD Segment Output
			I	TCI3_1	Timer B2 Clock Trigger PIN TCI3_1
<b>SEG10</b>	50	-	IO	PT7.0	Digital Input/ Output Pin
			AO	SEG10	LCD Segment Output

**HY16F3981 Datasheet**  
**21-bit ENOB  $\Sigma$ ADC, 32-bit MCU & 64KB Flash**  
**4X32~6X30 LCD Driver**

Name	HY16F3981-L064	HY16F3981-E028	Type	Pin Name	Description
SEG9	51	-	IO	PT6.7	Digital Input/ Output Pin
			AO	SEG9	LCD Segment Output
SEG8	52	-	IO	PT6.6	Digital Input/ Output Pin
			AO	SEG8	LCD Segment Output
SEG7	53	-	IO	PT6.5	Digital Input/ Output Pin
			AO	SEG7	LCD Segment Output
SEG6	54	-	IO	PT6.4	Digital Input/ Output Pin
			AO	SEG6	LCD Segment Output
SEG5	55	-	IO	PT6.3	Digital Input/ Output Pin
			AO	SEG5	LCD Segment Output
SEG4	56	-	IO	PT6.2	Digital Input/ Output Pin
			AO	SEG4	LCD Segment Output
SEG3	57	-	IO	PT6.1	Digital Input/ Output Pin
			AO	SEG3	LCD Segment Output
SEG2	58	-	IO	PT6.0	Digital Input/ Output Pin
			AO	SEG2	LCD Segment Output
SEG1	59	-	IO	PT13.5	Digital Input/ Output Pin
			AO	SEG1	LCD Segment Output
			AO	COM5	LCD Common Output
SEG0	60	-	IO	PT13.4	Digital Input/ Output Pin
			AO	SEG0	LCD Segment Output
			AO	COM4	LCD Common Output
COM3	61	-	IO	PT13.3	Digital Input/ Output Pin
			AO	COM3	LCD Common Output
COM2	62	-	IO	PT13.2	Digital Input/ Output Pin
			AO	COM2	LCD Common Output
COM1	63	-	IO	PT13.1	Digital Input/ Output Pin
			AO	COM1	LCD Common Output
COM0	64	-	IO	PT13.0	Digital Input/ Output Pin
			AO	COM0	LCD Common Output

Table2-1 HY16F3981 Pin definition and description



### 2.2.2. GPIO Port Function Configuration

Function	INT	Timer C Cap- ture	Special Function	SPI	I2C	UART 1/2	AIP	Analog	Timer B/B2 PWM
Output Prior- ity	I/P	I/P	0	1	2	3	4	5	6
PT2.0	INT2.0	TCI1_5		CS_3	SCL_5	Tx_3			PWM0_3
PT2.1	INT2.1	TCI2_5		CK_3	SDA_5	Rx_3			PWM1_3
PT2.2	INT2.2	TCI1_6		MISO_3	SCL_6	Tx2_3			PWM2_3
PT2.3	INT2.3	TCI2_6		MOSI_3	SDA_6	Rx2_3			PWM3_3
PT2.4	INT2.4	TCI1_7	LS_XOUT	CS_4	SCL_7	Tx_4			PWM0_4
PT2.5	INT2.5	TCI2_7	LS_XIN	CK_4	SDA_7	Rx_4			PWM1_4
PT2.6	INT2.6	TCI1_8	HS_XIN	MISO_4	SCL_8	Tx2_4			PWM2_4
PT2.7	INT2.7	TCI2_8	HS_XOUT	MOSI_4	SDA_8	Rx2_4			PWM3_4
PT3.0	INT3.0						OPO1	AIO8	
PT3.1	INT3.1						OPO2	DAO	
PT3.2	INT3.2							AIO4	
PT3.3	INT3.3							AIO5	
PT3.4	INT3.4							AIO6/LVDIN	
PT3.5	INT3.5							AIO7	
PT3.6	INT3.6							REFO	
PT3.7	INT3.7							R2ROPO	
RESET	RESET								
AIO0								AIO0	
AIO1								AIO1	
AIO2								AIO2	
AIO3								AIO3	
PT13.0			COM 0						
PT13.1			COM 1						
PT13.2			COM 2						
PT13.3			COM 3						
PT13.4			COM 4/SEG 0						
PT13.5			COM 5/SEG 1						
PT6.0			SEG 2						
PT6.1			SEG 3						

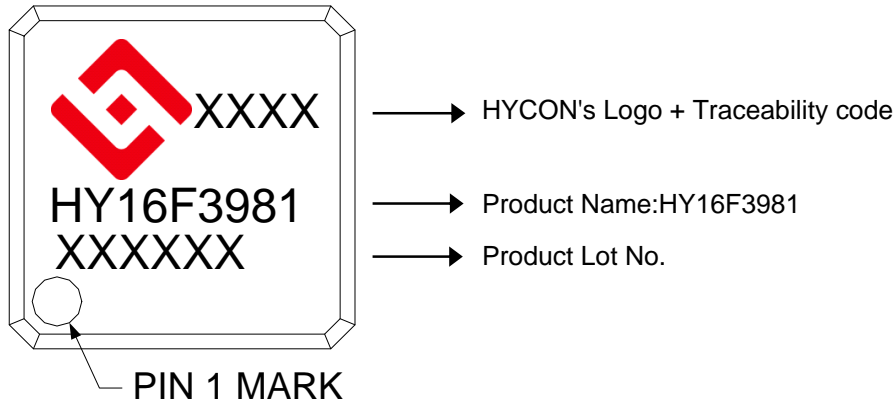
**HY16F3981 Datasheet**  
**21-bit ENOB ΣΔADC, 32-bit MCU & 64KB Flash**  
**4X32~6X30 LCD Driver**



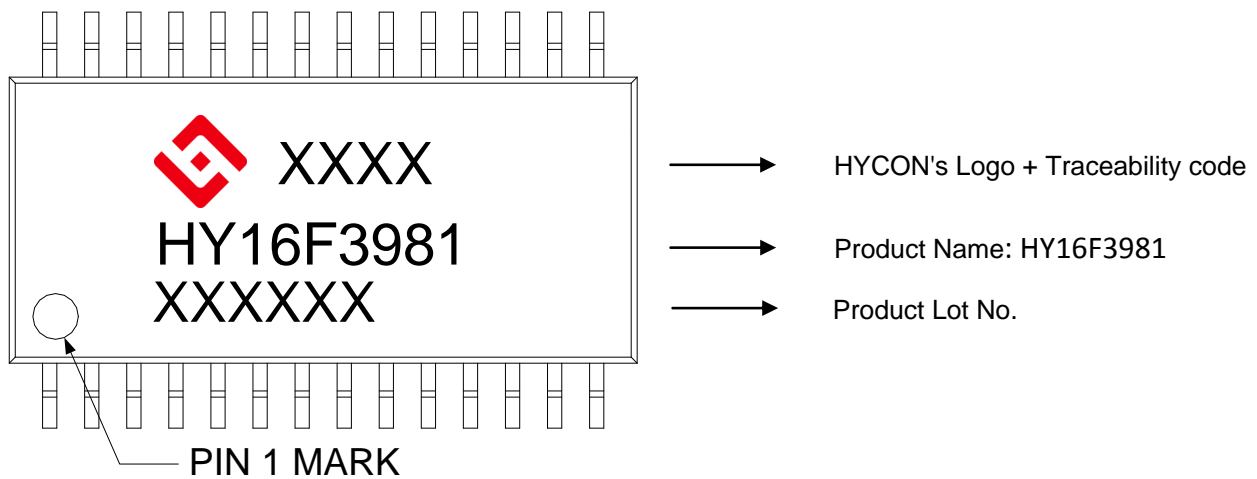
PT6.2			SEG 4					
PT6.3			SEG 5					
PT6.4			SEG 6					
PT6.5			SEG 7					
PT6.6			SEG 8					
PT6.7			SEG 9					
PT7.0			SEG 10					
PT7.1		TCI3_1	SEG 11					
PT7.2			SEG 12					
PT7.3		TCI3_2	SEG 13					
PT7.4			SEG 14					
PT7.5		TCI3_3	SEG 15					
PT7.6			SEG 16					
PT7.7		TCI3_4	SEG 17					
PT8.0			SEG 18	CS_5		Tx_5		PWM0_5
PT8.1		TCI3_5	SEG 19	CK_5		Rx_5		PWM1_5
PT8.2			SEG 20	MISO_5		Tx2_5		PWM2_5
PT8.3		TCI3_6	SEG 21	MOSI_5		Rx2_5		PWM3_5
PT8.4			SEG 22	CS_6		Tx_6		PWM0_6
PT8.5		TCI3_7	SEG 23	CK_6		Rx_6		PWM1_6
PT8.6			SEG 24	MISO_6		Tx2_6		PWM2_6
PT8.7		TCI3_8	SEG 25	MOSI_6		Rx2_6		PWM3_6
PT9.0			SEG 26	CS_7		Tx_7		PWM0_7
PT9.1			SEG 27	CK_7		Rx_7		PWM1_7
PT9.2			SEG 28	MISO_7		Tx2_7		PWM2_7
PT9.3			SEG 29	MOSI_7		Rx2_7		PWM3_7
PT9.4			SEG 30			Tx_8		PWM0_8
PT9.5			SEG 31			Rx_8		PWM1_8

### 2.3. Package marking information

#### 2.3.1. HY16F3981 LQFP64 Package marking information



#### 2.3.2. HY16F3981 SSOP28 Package marking information



### 3. Application Circuit

#### 3.1. IR Measurement Application Circuit(LQFP64 support LCD)

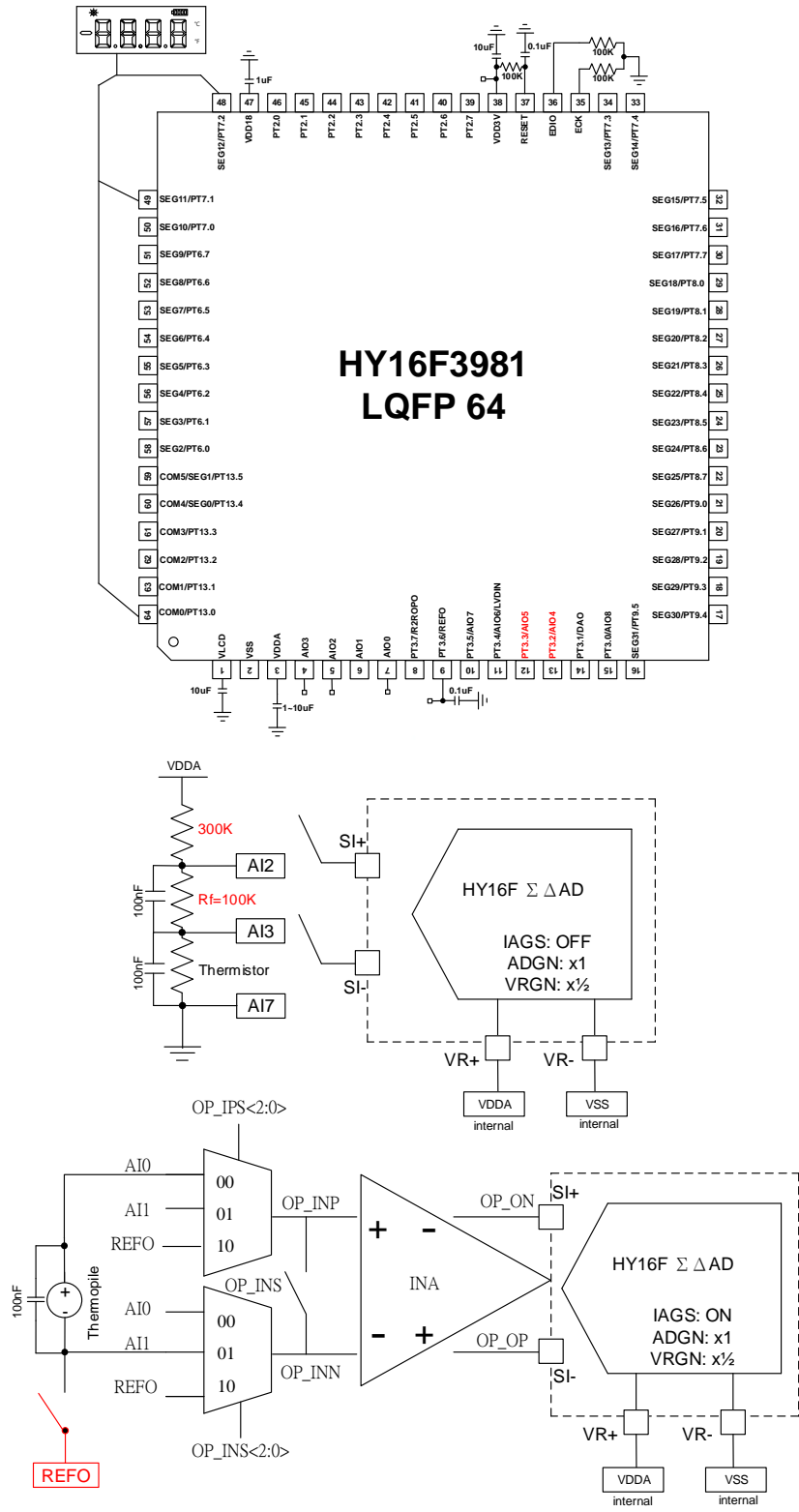


Figure 3-1 IR Measurement Application Circuit(LQFP64 support LCD)

**3.2. IR Measurement Application Circuit(SSOP28 non-support LCD)**

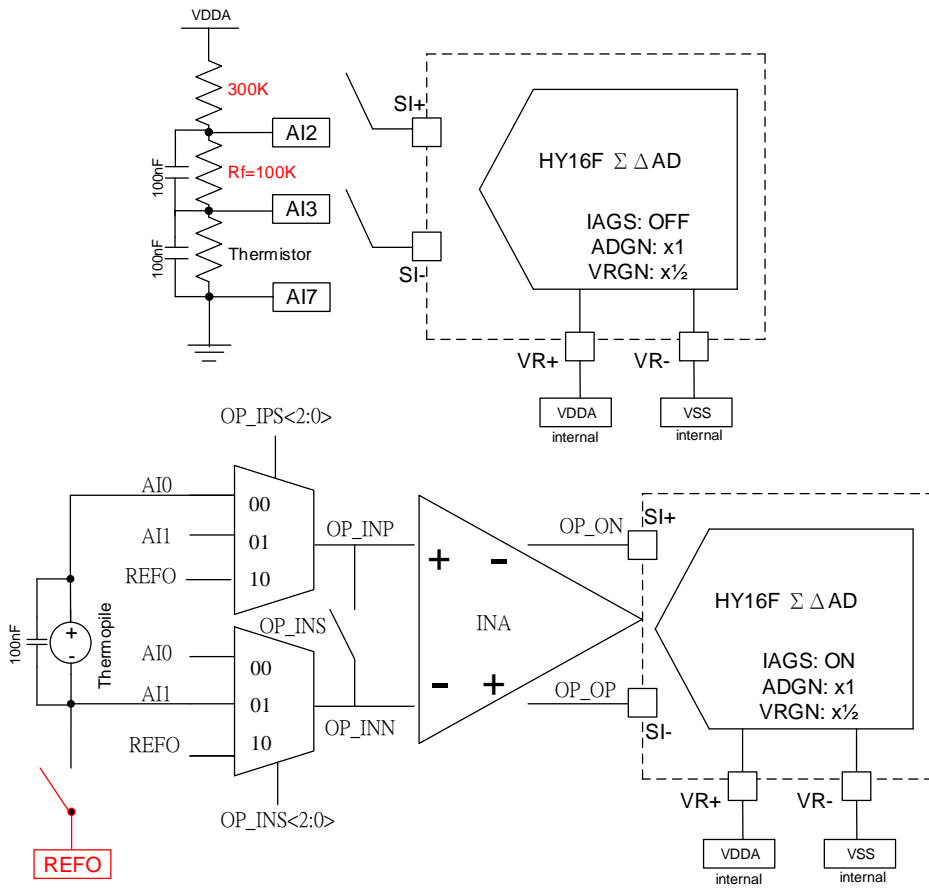
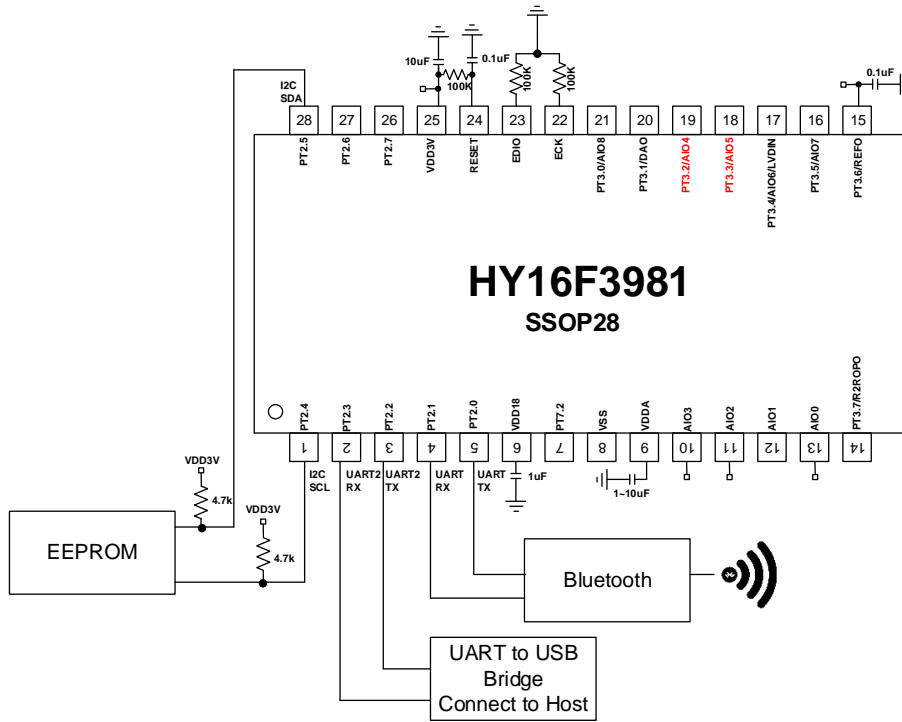


Figure 3-2 IR Measurement Application Circuit(SSOP28 non-support LCD)

**3.3. Blood Pressure Sensor(LQFP64 support LCD)**

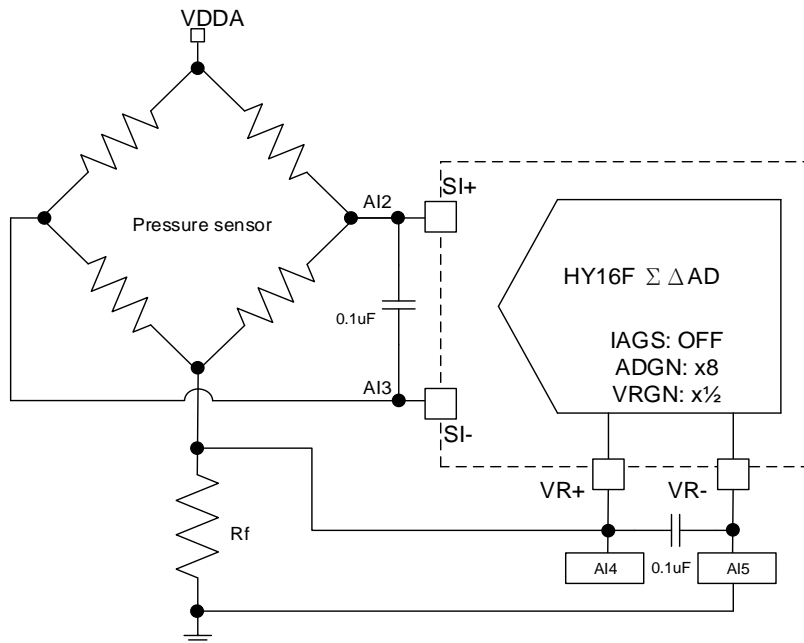
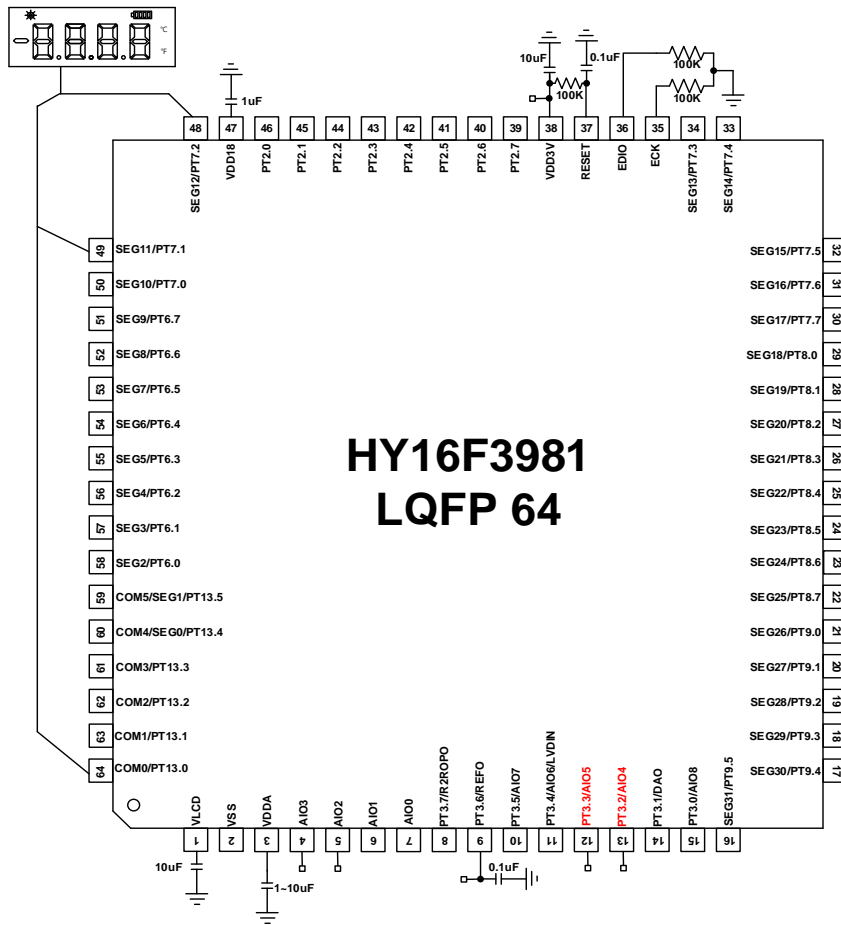


Figure 3-3 Blood Pressure Sensor Circuit(LQFP64 support LCD)

**3.4. Blood Pressure Sensor(SSOP28 non-support LCD)**

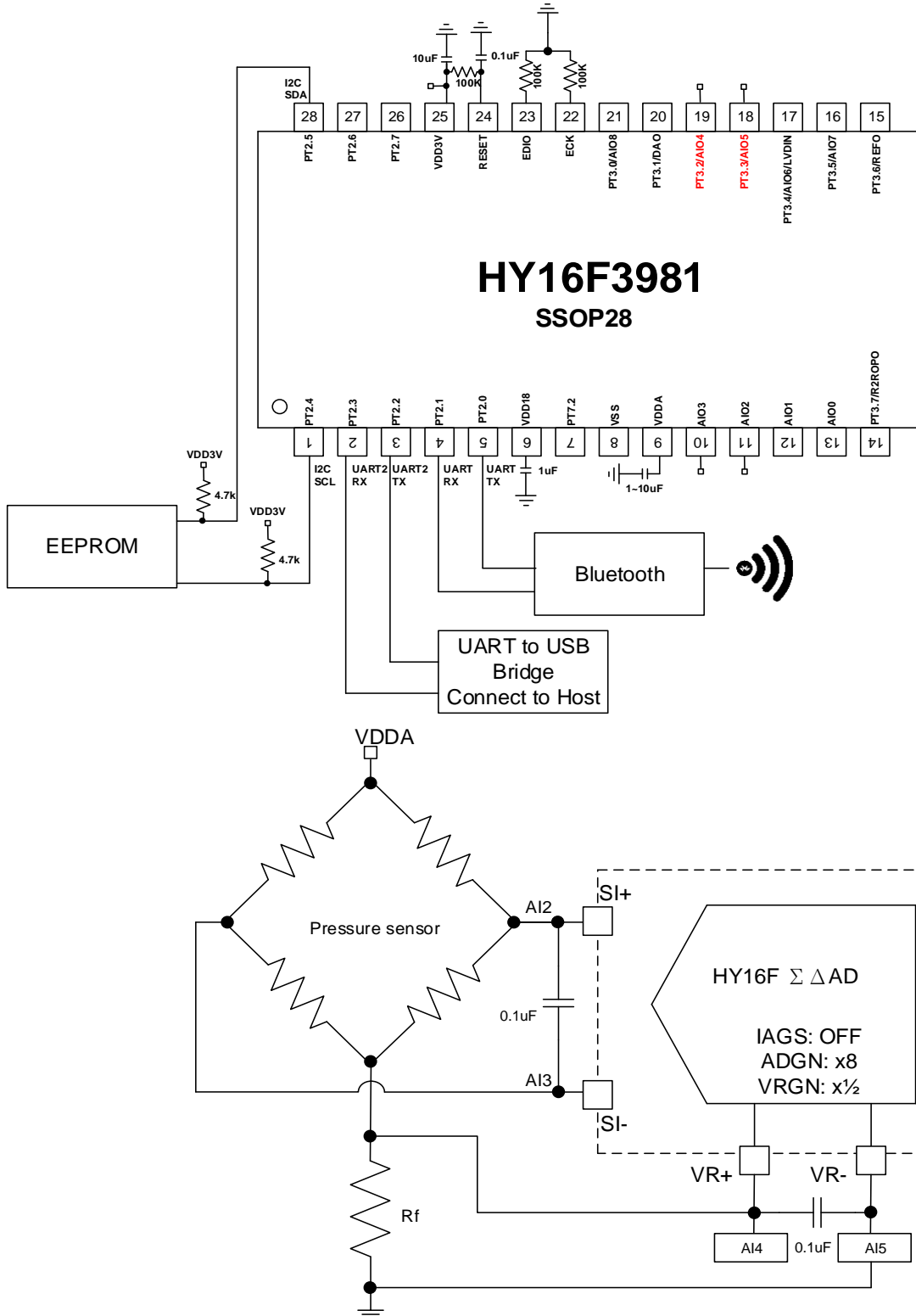


Figure 3-4 Blood Pressure Sensor Circuit(SSOP28 non-support LCD)

**4. Function Outline**

**4.1. Internal Block Diagram**

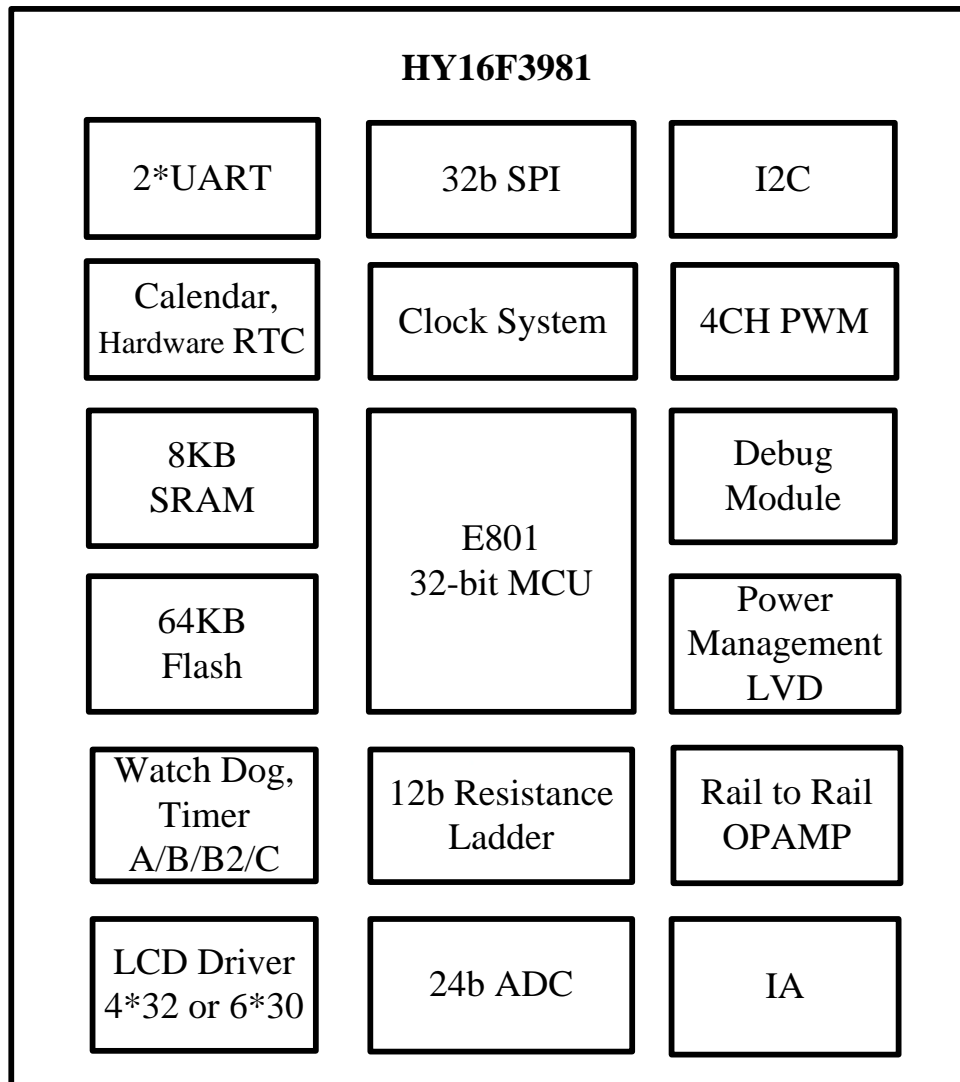


Figure 4-1 HY16F3981 Internal Block Diagram



**4.2. Building Block Diagram**

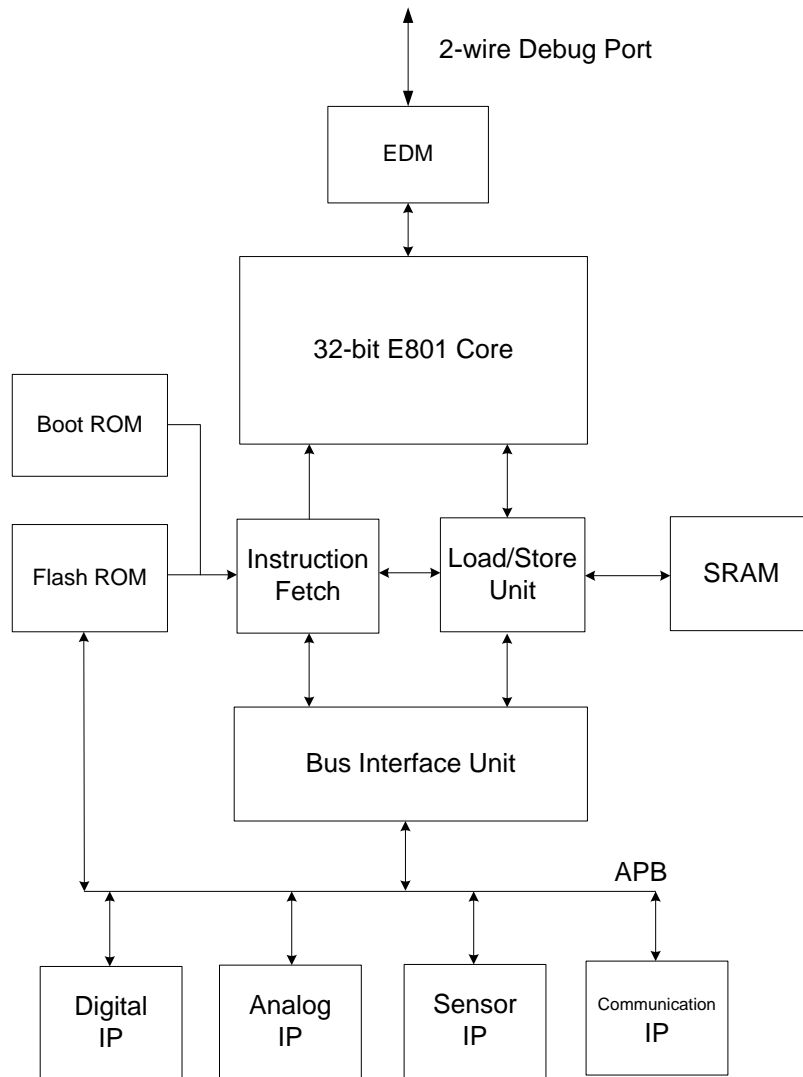
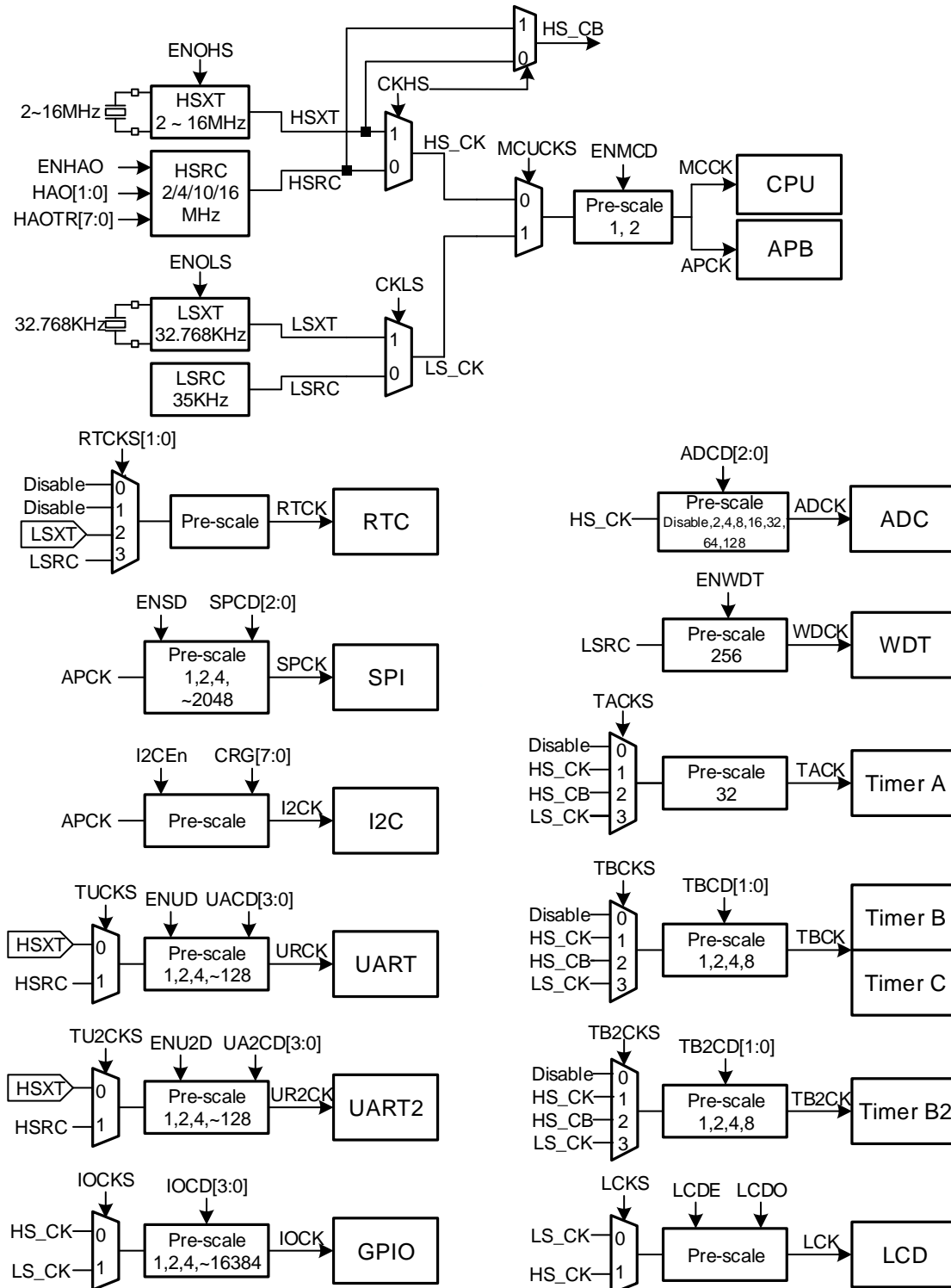


Figure 4-2 Building Block Diagram

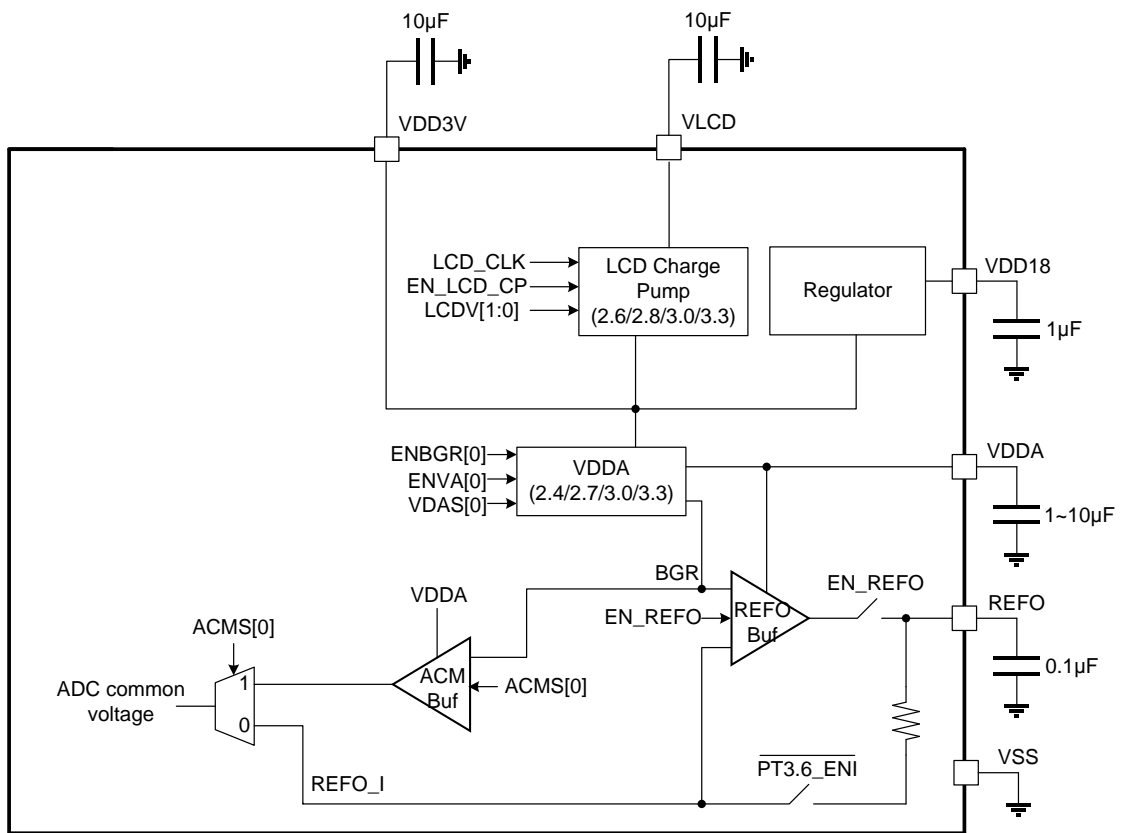
**4.3. Related Description and Supporting Document**

File Name	Description
UG-HY16F3981	HY16F3981 User's Guide
APD-HY16IDE022	HY16F3981 C Library Manual
APD-HY16IDE023	HY16F3981 IP User's Manual
APD-HY16IDE001	HY16F Series IDE Software User's Manual / HY16F Series Device Installer
APD-HY16IDE009	HY16F Series IDE Hardware User's Manual
APD-HY16IDE006	HY16F Series Writer kit User's Manual

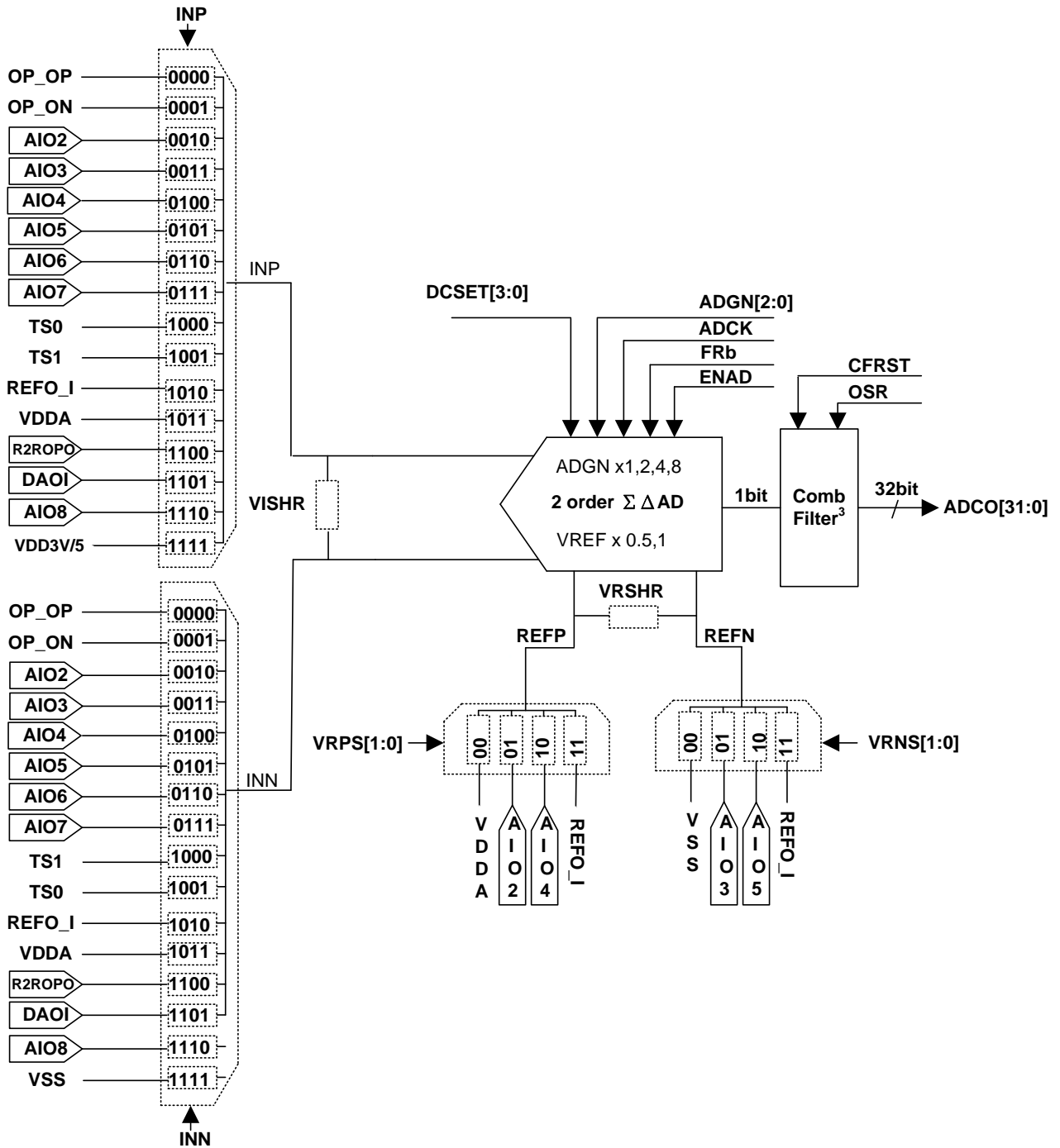
### 4.4. Clock System Network



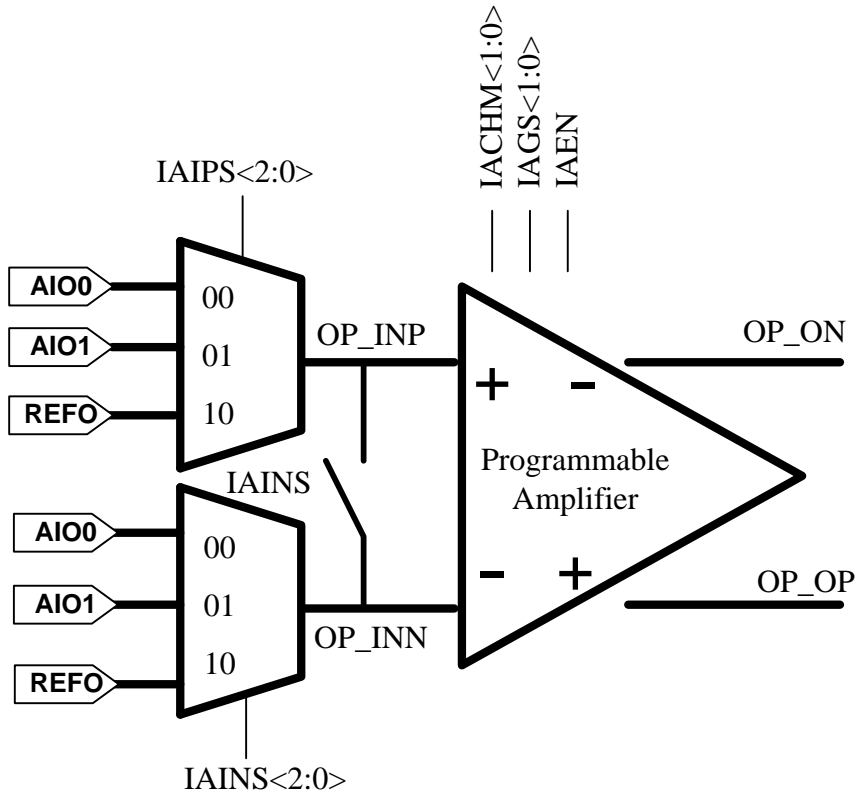
**4.5. Power System Network**



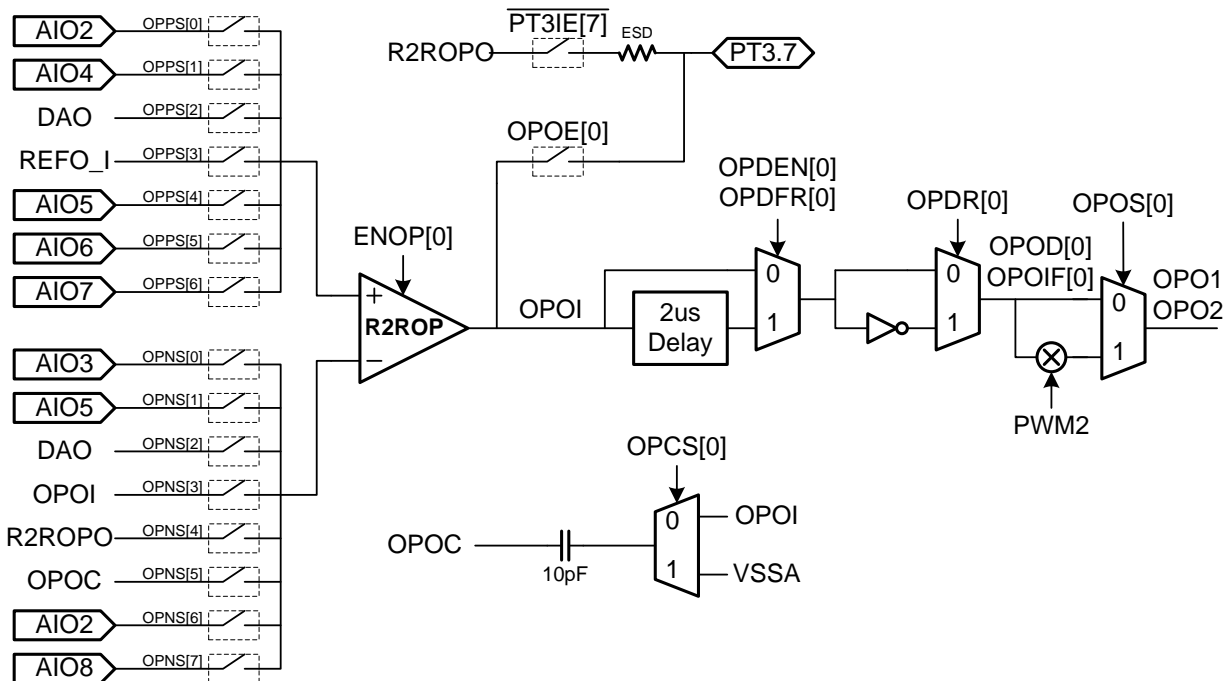
**4.6. 24-bit  $\Sigma\Delta$ ADC Network**



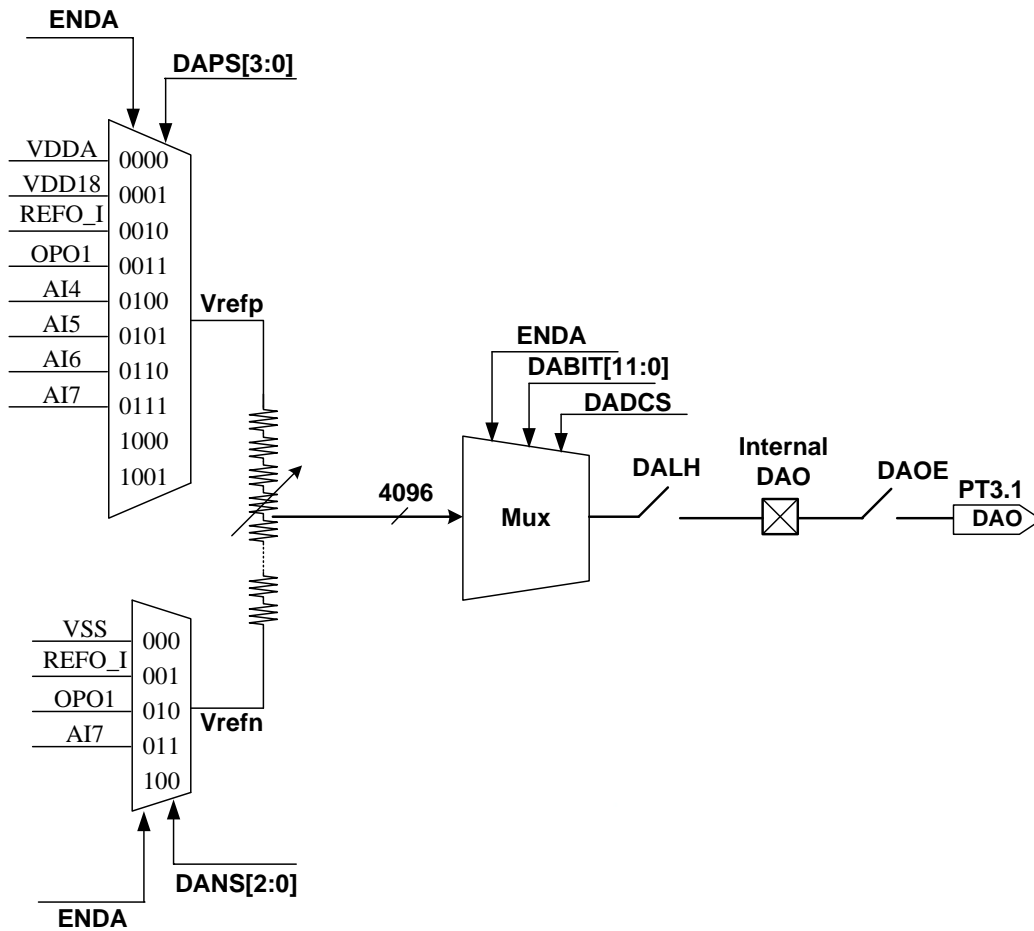
**4.7. IA(Instrumentation Amplifier) Network**



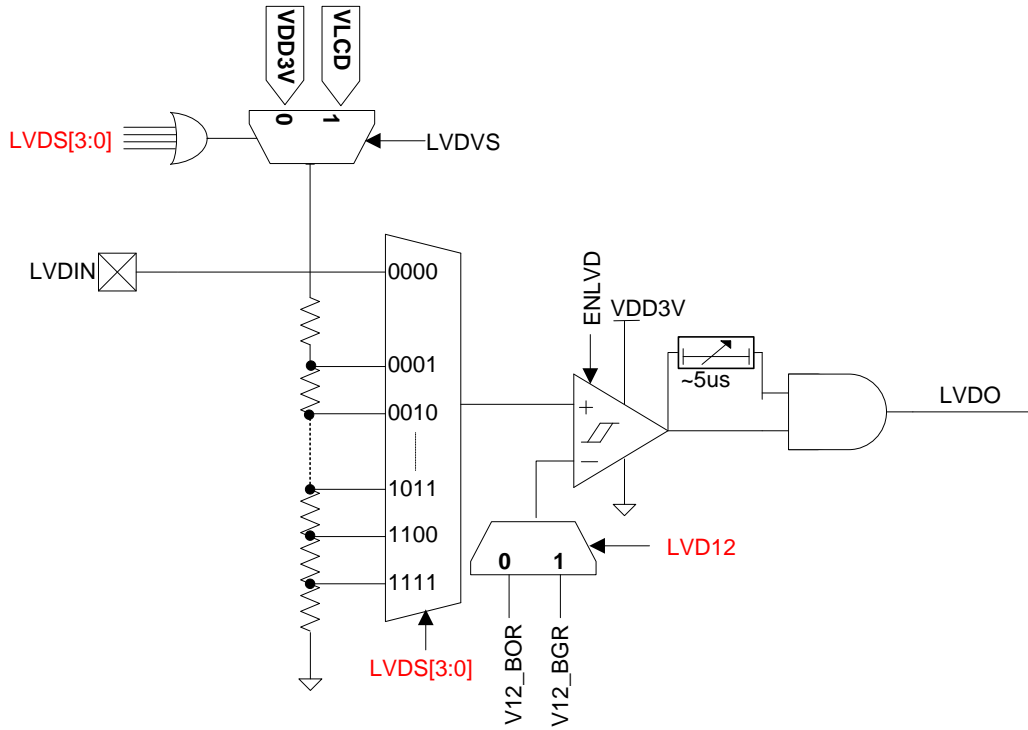
**4.8. Rail-to-rail operation amplifier Network**



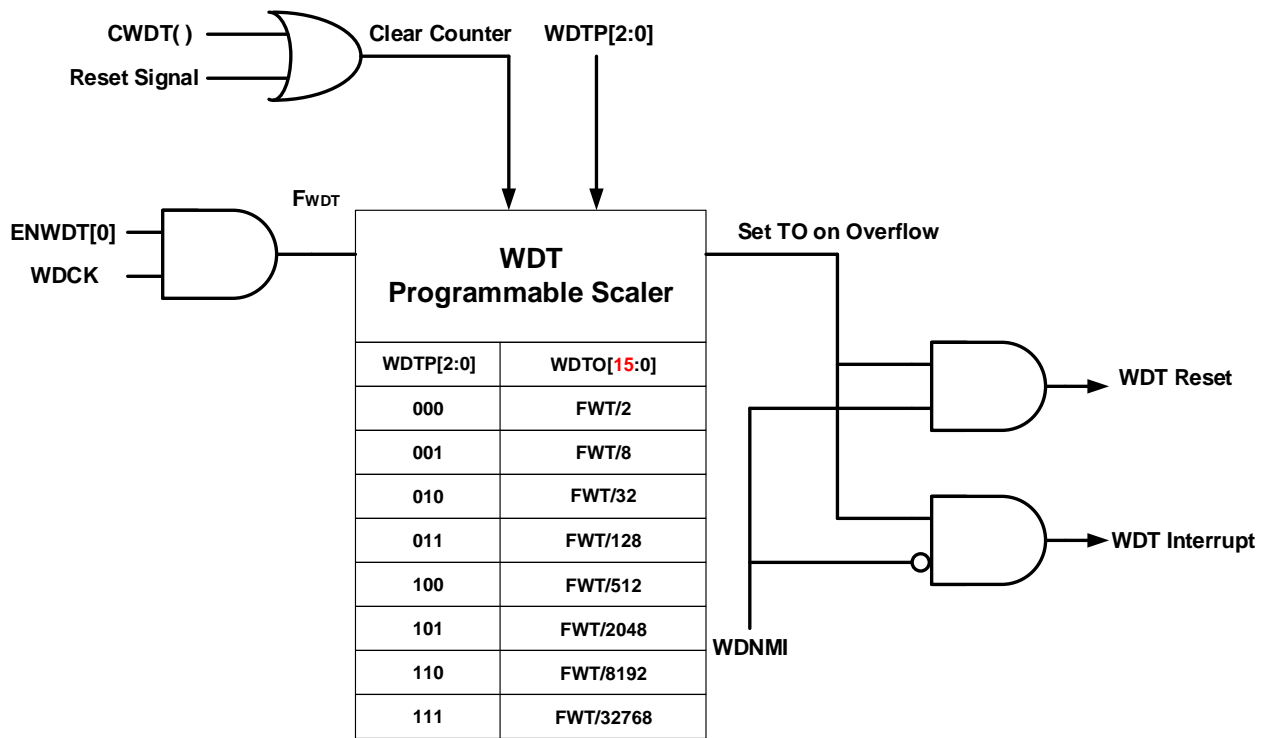
**4.9. 12-bit Resistance Ladder Network**



### 4.10. Low voltage Comparator Network

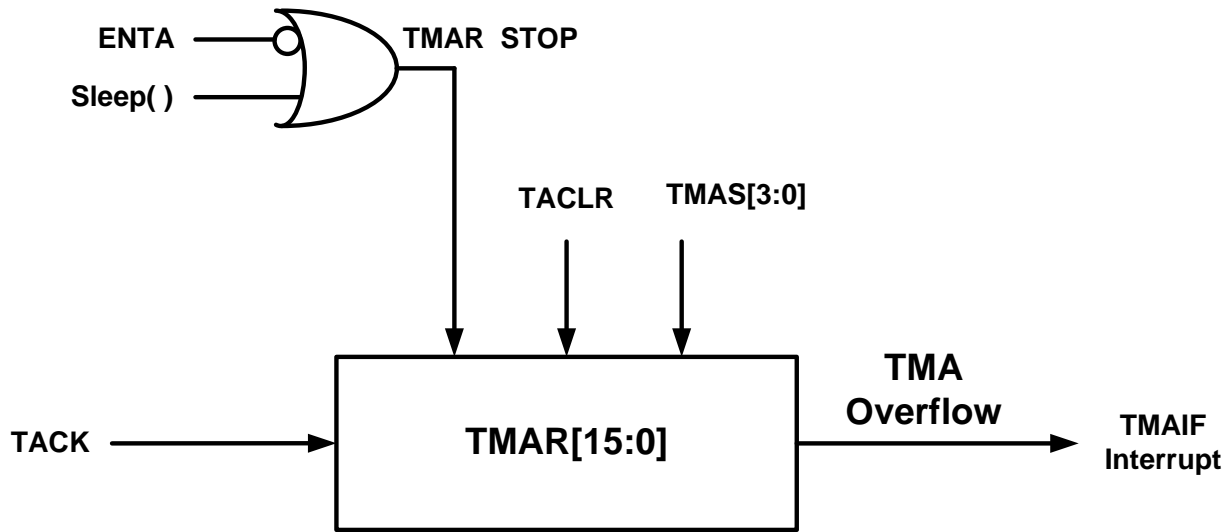


### 4.11. Watch Dog Timer Network



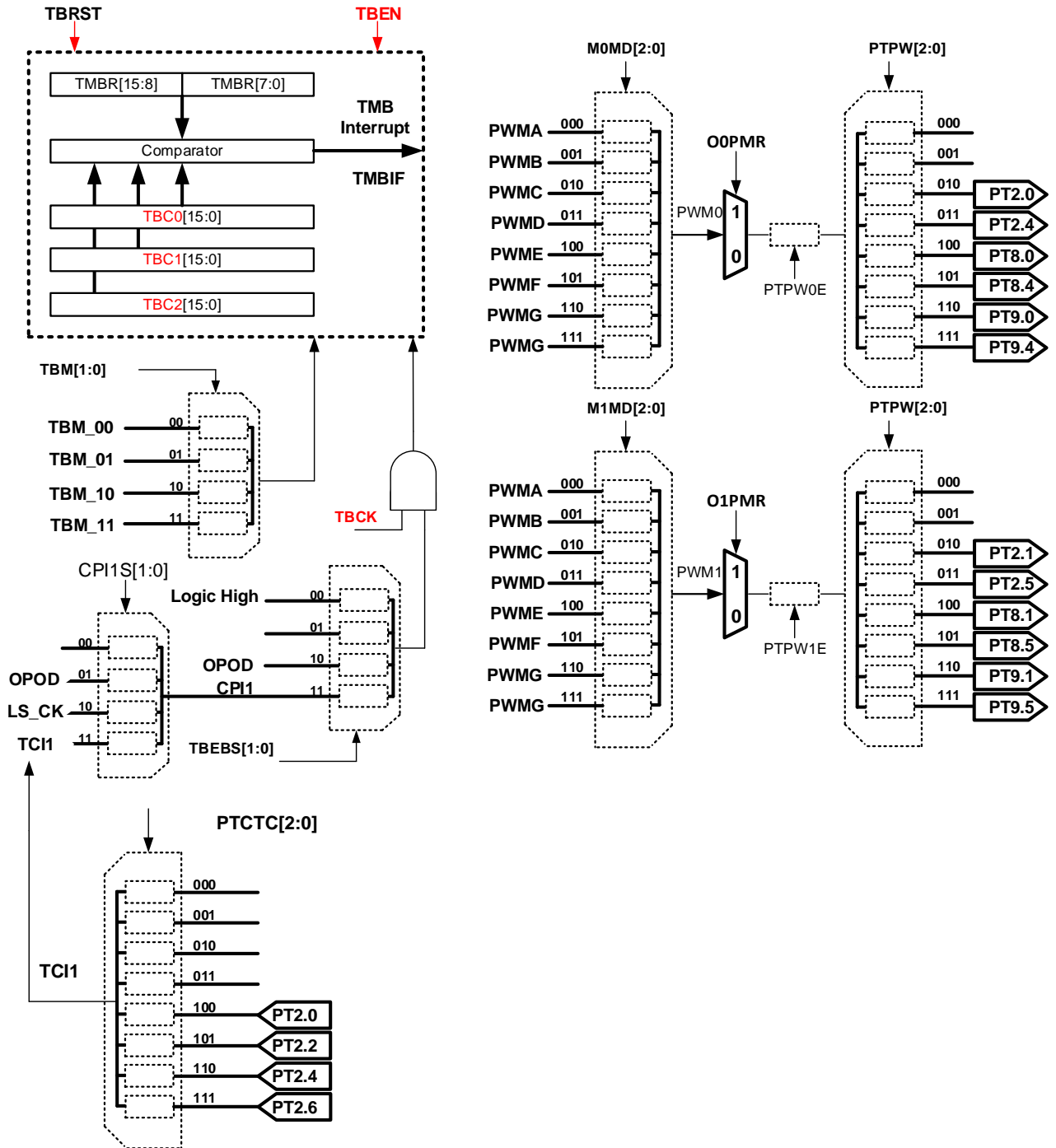


**4.12. Timer A Network**

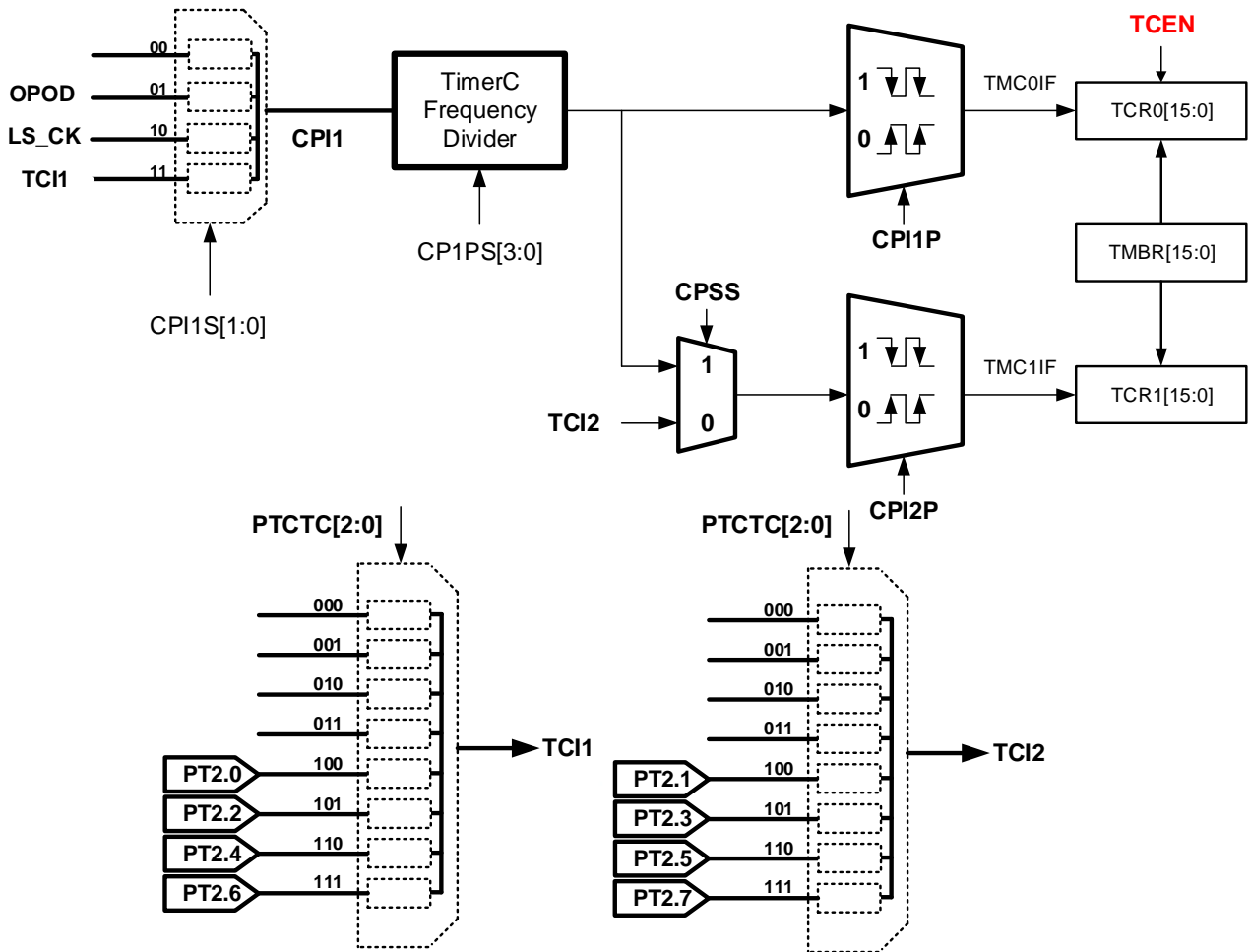


TMAS[3:0]	TMAR[15:0]	TMAS[3:0]	TMAR[15:0]
0000	TACK/2	1000	TACK/512
0001	TACK/4	1001	TACK/1024
0010	TACK/8	1010	TACK/2048
0011	TACK/16	1011	TACK/4096
0100	TACK/32	1100	TACK/8192
0101	TACK/64	1101	TACK/16384
0110	TACK/128	1110	TACK/32768
0111	TACK/256	1111	TACK/65536

**4.13. Timer B Network**

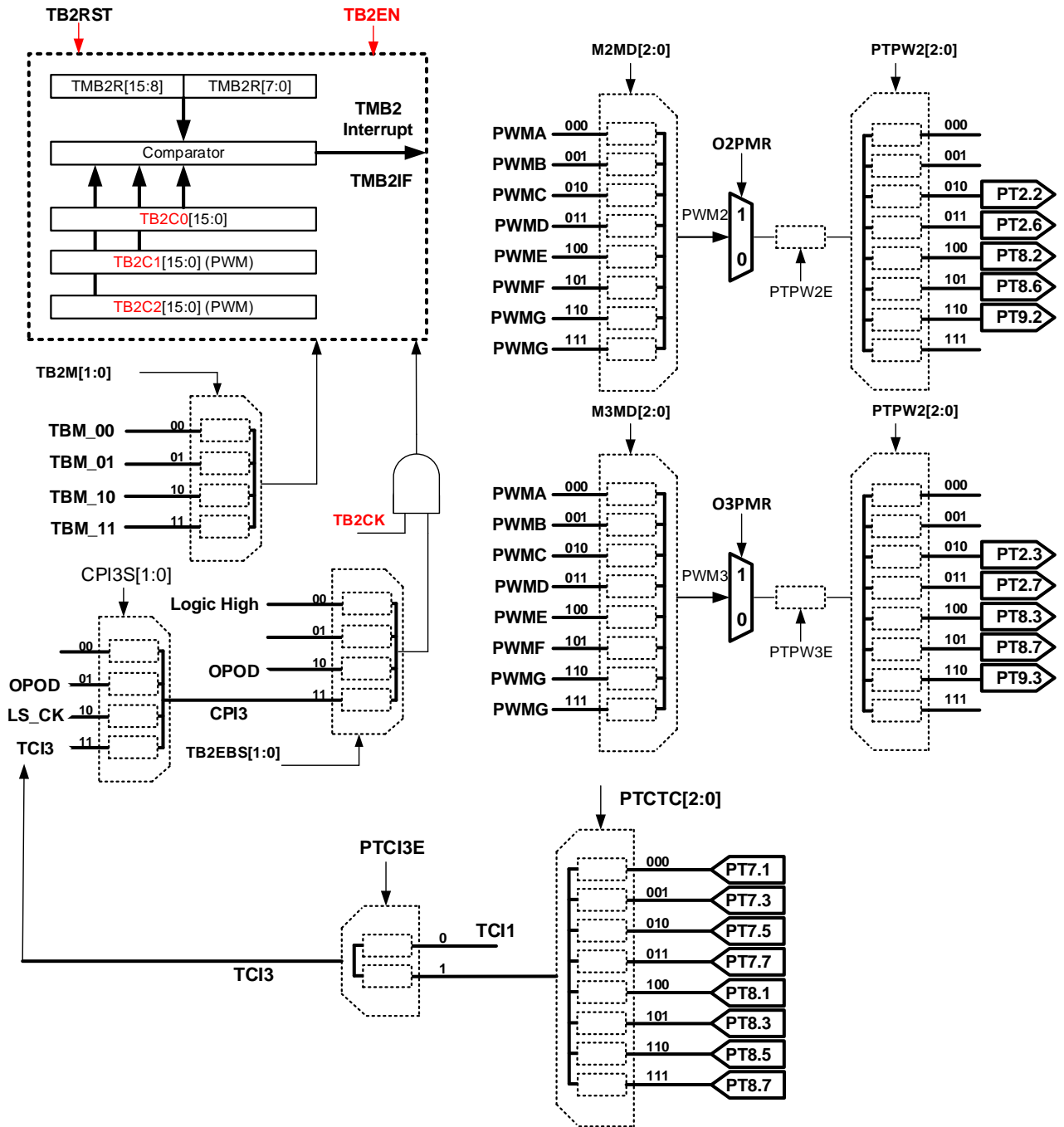


**4.14. Timer C Network**

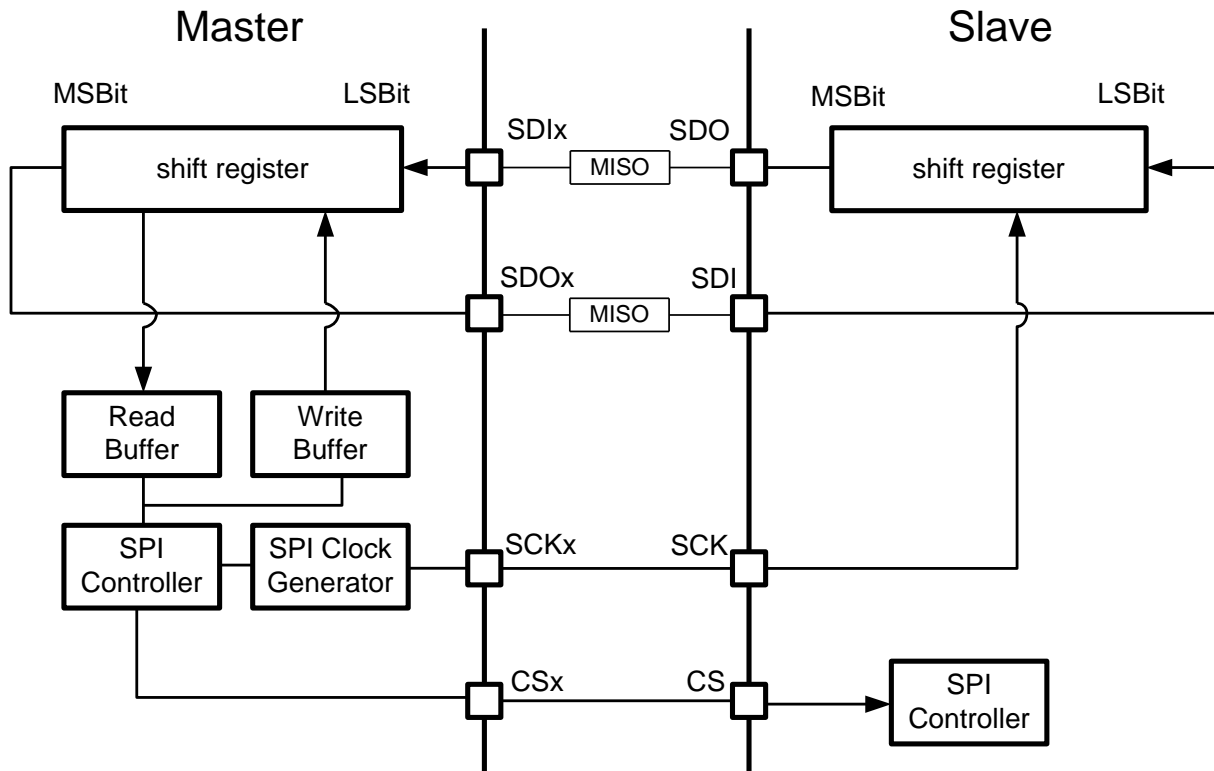


CP1PS[3:0]	CPI1 Divider	CP1PS[3:0]	CPI1 Divider
0000	CPI1/1	1000	CPI1/256
0001	CPI1/2	1001	CPI1/512
0010	CPI1/4	1010	CPI1/1024
0011	CPI1/8	1011	CPI1/2048
0100	CPI1/16	1100	CPI1/4096
0101	CPI1/32	1101	CPI1/8192
0110	CPI1/64	1110	CPI1/16384
0111	CPI1/128	1111	CPI1/32768

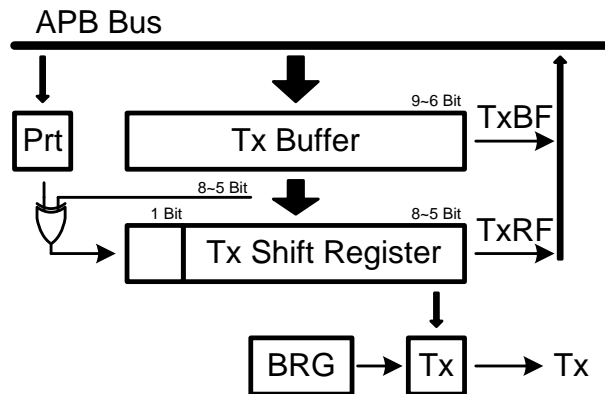
**4.15. Timer B2 Network**



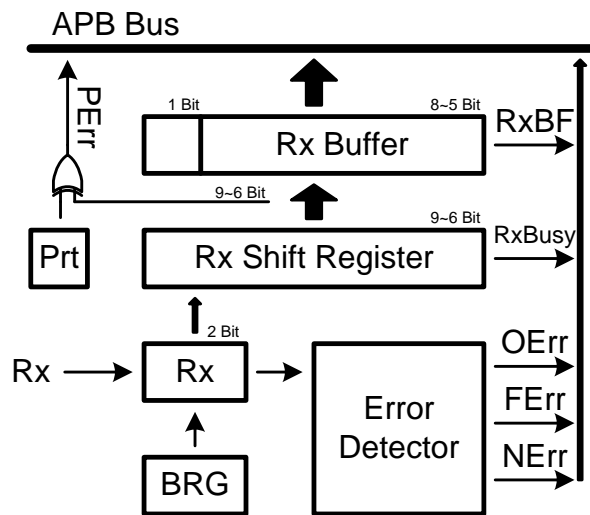
**4.16. 32-bit SPI Diagram**



**4.17. UART Block Diagram**

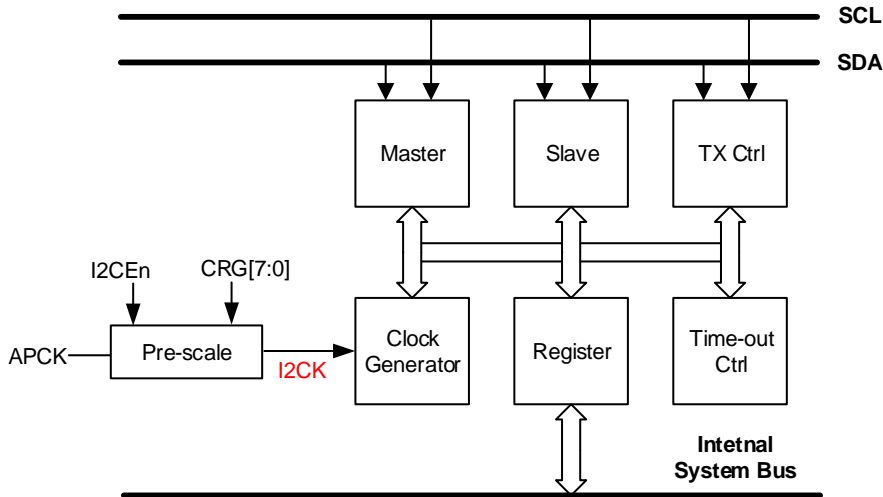


**UART Transmit Block Diagram**

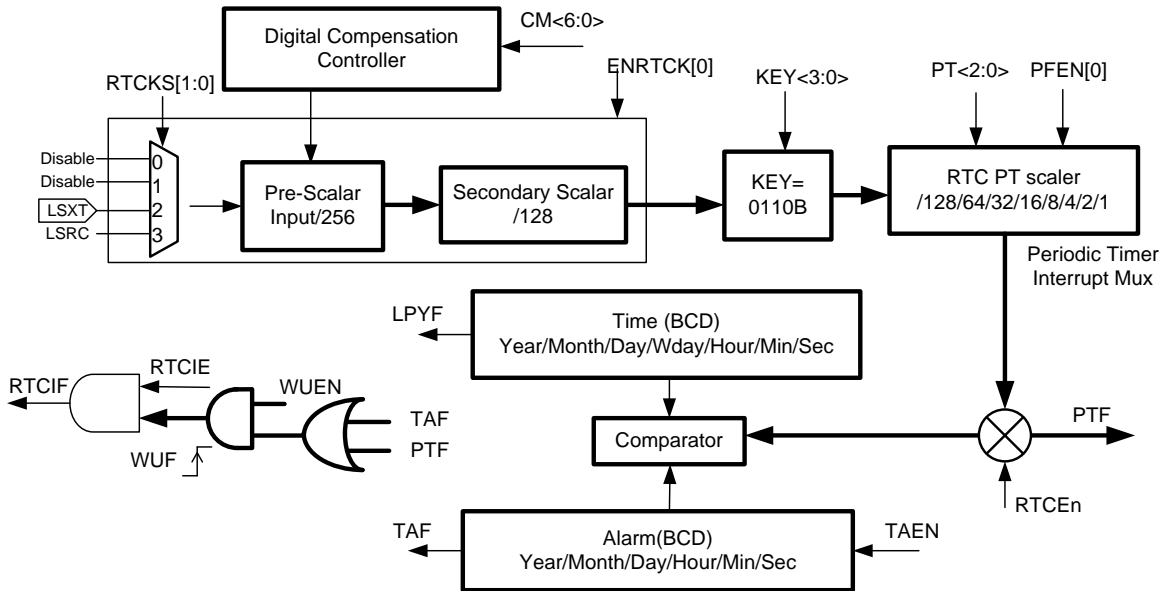


**UART Receive Block Diagram**

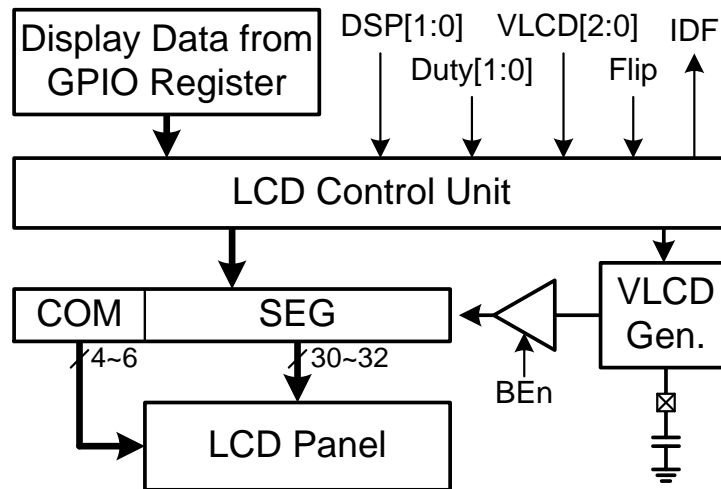
**4.18. I2C Block Diagram**



**4.19. Hardware RTC Block Diagram**



#### 4.20. LCD Function Configuration







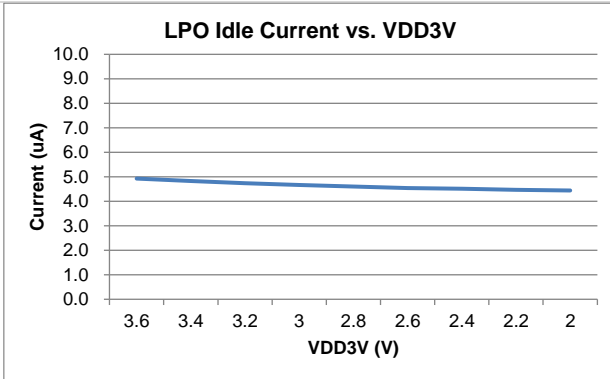


Figure5.1-3 LPO Idle Current vs. VDD3V

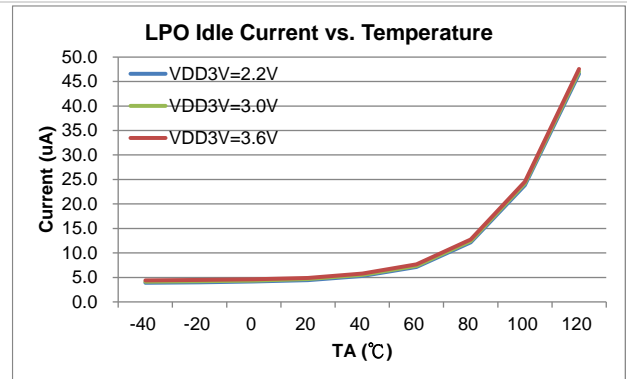


Figure5.1-4 LPO Idle Current vs. Temperature

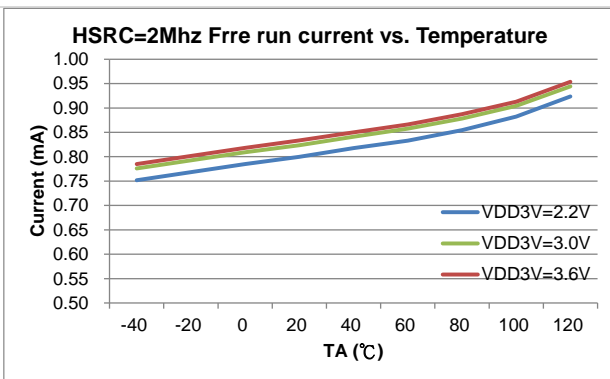


Figure5.1-5 2MHz Free run current vs. Temperature

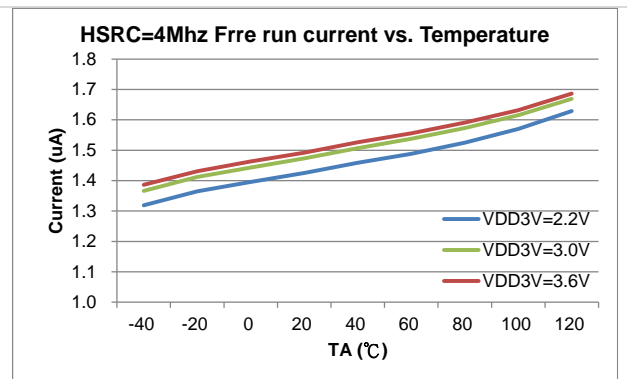


Figure5.1-6 4MHz Free run current vs. Temperature

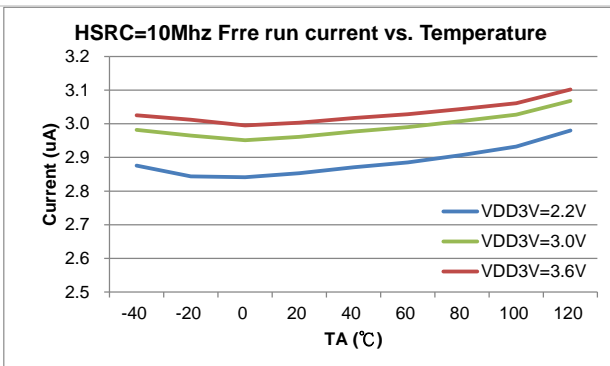


Figure5.1-7 10MHz Free run current vs. Temperature

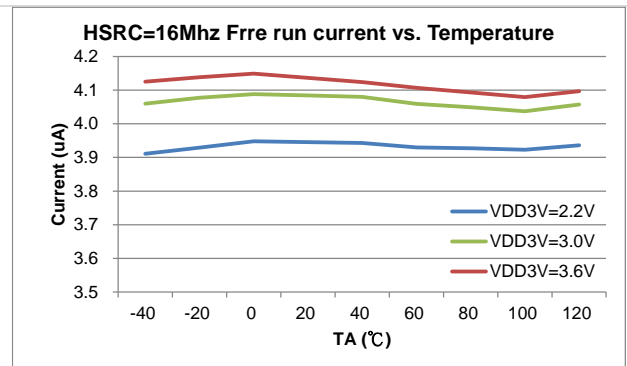


Figure5.1-8 16MHz Free run current vs. Temperature

## 5.2. Clock System

Typical values are at T<sub>A</sub>=25°C and VDD3V = 3.0V. Unless otherwise noted.

Sym.	Parameter	Test Conditions	Min.	Typ.	Max.	Unit
<b>External High Speed Oscillator</b>						
VDD3V	Operation voltage		2.2		3.6	V
F <sub>XHS</sub>	High speed oscillator frequency	VDD3V = 2.2V ~ 3.6V OHS_HS = 1b			10	MHz
		VDD3V = 2.6V ~ 3.6V OHS_HS = 1b			16	MHz
		VDD3V = 2.2V ~ 3.6V OHS_HS = 0b			4	MHz
I <sub>XHS</sub>	High speed oscillator current	F <sub>XHS</sub> = 16MHz, OHS_HS = 1b, (VDD ≥ 2.6V)		125		uA
D <sub>XHS</sub>	Duty of high oscillator		40		60	%
<b>External Low Speed Oscillator</b>						
F <sub>XLS</sub>	Low speed oscillator frequency	VDD3V = 2.2V ~ 3.6V		32.768		KHz
I <sub>XLS</sub>	Low speed oscillator current			4		uA
D <sub>XLS</sub>	Duty of low speed oscillator		40		60	%
RTC	Normal Mode	VDD3V=3.0V @Flash Run		22		uA
<b>Internal High Speed Oscillator</b>						
F <sub>HAO</sub>	Internal high speed oscillator frequency	F <sub>HAO</sub> = 2MHz, F <sub>HAO</sub> = 2MHz, after trim <sup>Note1</sup>	-10% -2%	2 1.843	+10% +2%	MHz
		F <sub>HAO</sub> = 4MHz, F <sub>HAO</sub> = 4MHz, after trim <sup>Note1</sup>	-10% -2%	4 4.147	+10% +2%	MHz
		F <sub>HAO</sub> = 10MHz, F <sub>HAO</sub> = 10MHz, after trim <sup>Note1</sup>	-10% -2%	10 9.216	+10% +2%	MHz
		F <sub>HAO</sub> = 16MHz, F <sub>HAO</sub> = 16MHz, after trim <sup>Note1</sup>	-10% -2%	16 15.667	+10% +2%	MHz
	Voltage coefficient	VDD3V = 2.2V ~ 3.6V	-1.5		+1.5	%
T <sub>HAO</sub>	Temperature coefficient	-40~85°C	-2.5		+2.5	%
I <sub>HAO</sub>	Internal high speed oscillator current	F <sub>HAO</sub> = 2MHz		20		uA
		F <sub>HAO</sub> = 16MHz (VDD ≥ 2.6V)		105		uA
D <sub>HAO</sub>	Duty of oscillator		40		60	%
WT <sub>HAO</sub>	Wake up time	F <sub>HAO</sub> = 2MHz		30		us
<b>Internal Low Speed Oscillator</b>						
F <sub>LPO</sub>	Internal low speed oscillator frequency	VDD3V = 3.0V	-20%	35	+20%	KHz
	Voltage coefficient	VDD3V = 2.2V ~ 3.6V	-1.5		+1.5	%
T <sub>LPO</sub>	Temperature coefficient	-40~85°C	-5		5	%
I <sub>LPO</sub>	Internal low speed oscillator current			2.5		uA
D <sub>LPO</sub>	Duty of low speed oscillator		40		60	%

Note1 :

After Trim: According to the factory calibration parameters of HAO to calibrate HAO, and need to corresponding to the selected HAO frequency. Configure the register 0x40304[7:0]. Please refer to the chapter 6.1.2 of “UG-HY16F3981\_EN” to know how to use that in detail.

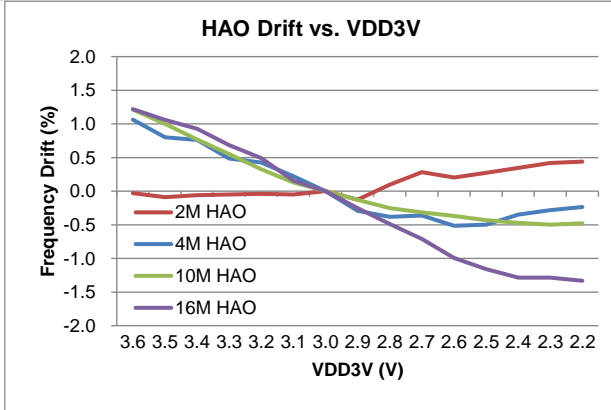


Figure5.2-1 HAO Drift vs. VDD3V

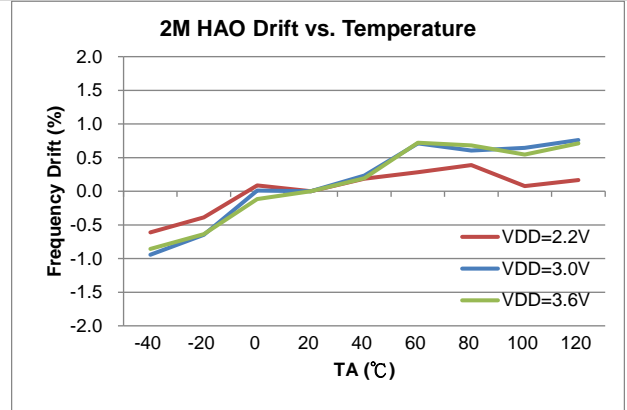


Figure5.2-2 2MHz HAO Drift vs. Temperature

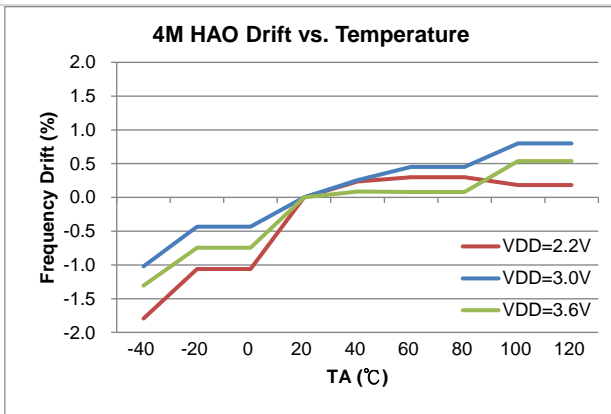


Figure5.2-3 4MHz HAO Drift vs. Temperature

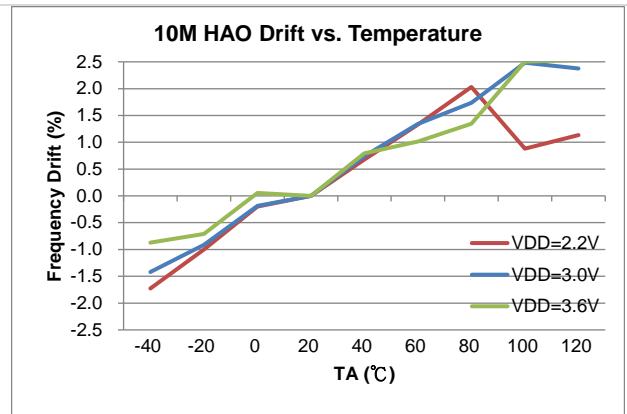


Figure5.2-4 10MHz HAO Drift vs. Temperature

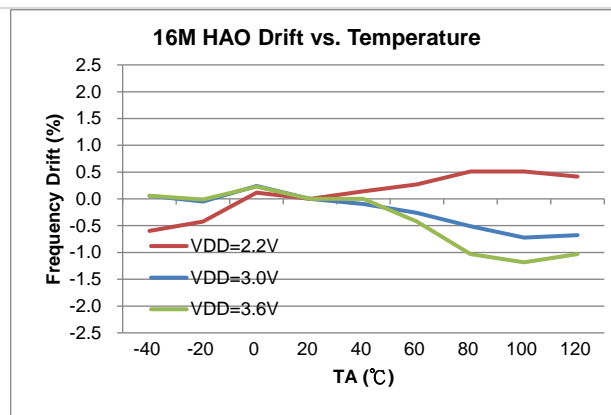


Figure5.2-5 16MHz HAO Drift vs. Temperature

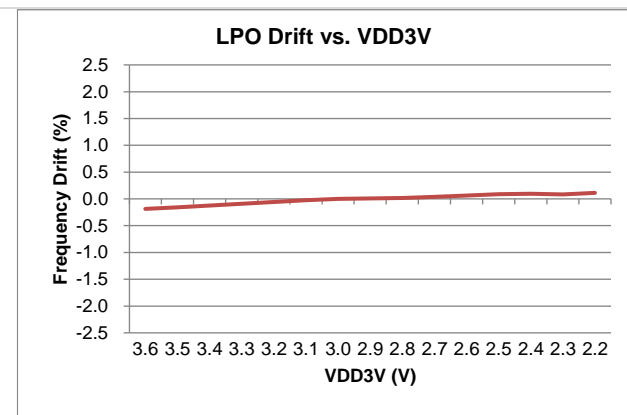


Figure5.2-5 LPO Drift vs. VDD3V

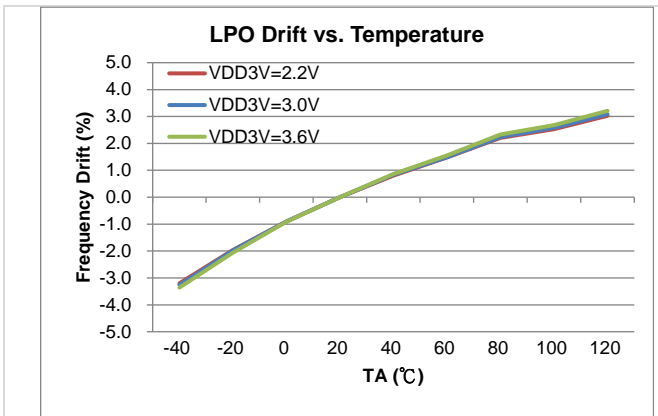


Figure5.2-5 LPO Drift vs. Temperature

### 5.3. Power Management System

Typical values are at  $T_A=25^{\circ}\text{C}$  and  $V_{DD3V} = 3.0\text{V}$ . Unless otherwise noted.

Sym.	Parameter	Test Conditions	Min.	Typ.	Max.	Unit
<b>VDDA LDO</b>						
	Output voltage error		-5		5	%
	Capacitor loading		0.1	1	10	$\mu\text{F}$
	Settling time	Capacitor loading = 0.1 $\mu\text{F}$ , 99% of VDDA		100		$\mu\text{s}$
	Operation current	Bias + Band gap + VDDA LDO		35	50	$\mu\text{A}$
	Dropout voltage	$I_L=10\text{mA}$		0.2		V
	Voltage coefficient	$V_{DD3V} = 2.5 \sim 3.6\text{V}$		0.1		%/V
	VDDA voltage 1 0x40400[19:18]=00b	$I_L = 0.1\text{mA}$	2.3	2.4		V
	VDDA voltage 2 0x40400[19:18]=01b	$I_L = 0.1\text{mA}$		2.6		V
	VDDA voltage 3 0x40400[19:18]=10b	$I_L = 0.1\text{mA}$		2.9		V
	VDDA voltage 4 0x40400[19:18]=11b	$I_L = 0.1\text{mA}$		3.2		V
	Temperature coefficient	By using BRG $V_{DDA}=3.0\text{V}$		100		$\text{ppm}/^{\circ}\text{C}$
<b>VDD18 LDO</b>						
	Output voltage		1.7	1.8	1.9	V
	Capacitor loading		100	1000	2200	nF
	Voltage coefficient	$V_{DD3V}= 2.2 \sim 3.6\text{V}$		1		%/V
	Temperature coefficient			50		$\text{ppm}/^{\circ}\text{C}$
	Load regulation	Load = 0.1~1mA		0.1		V/A
	Dropout voltage	Load = 1mA		0.2		V
<b>REFO Buffer</b>						
	Output voltage		1.1	1.2	1.3	V
	Capacitor loading		22	100	1000	nF
	Operation current			20		$\mu\text{A}$
	Output current	1% change voltage	-1		1	$\text{mA}$
	Temperature coefficient	$V_{DDA}=2.9\text{V}$		80		$\text{ppm}/^{\circ}\text{C}$
	Voltage coefficient	$V_{DDA} = 2.4\text{V} \sim 3.6\text{V}$		0.1		%/V

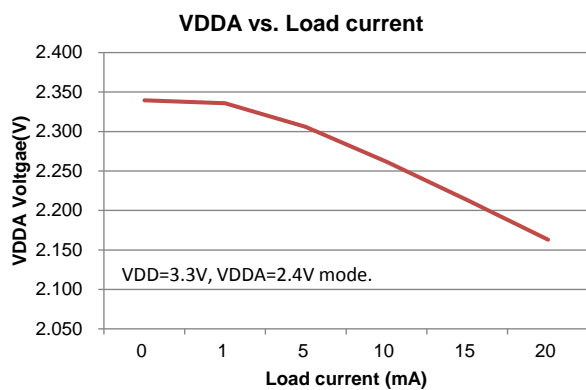


Figure5.3-1 VDDA=2.4V vs. IL

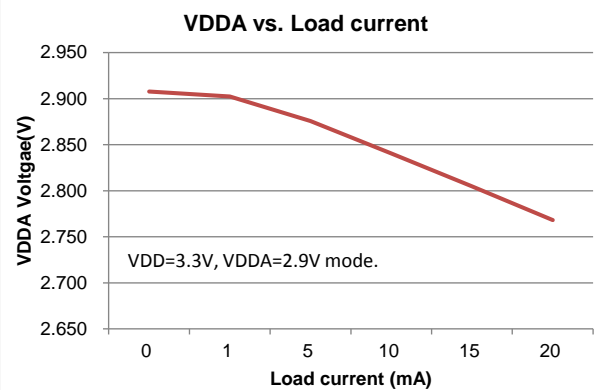


Figure5.3-2 VDDA=2.9V vs. IL

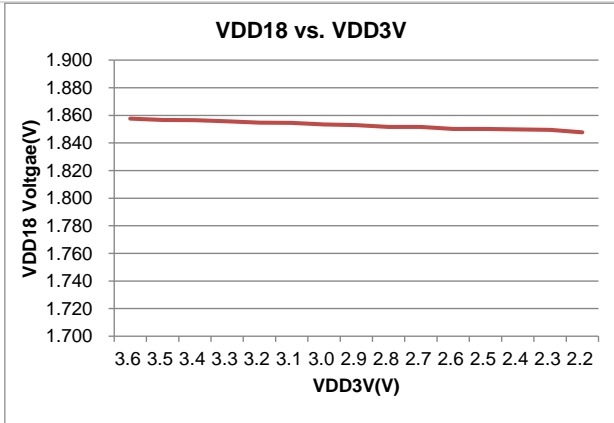


Figure5.3-3 VDD18 vs. VDD3V

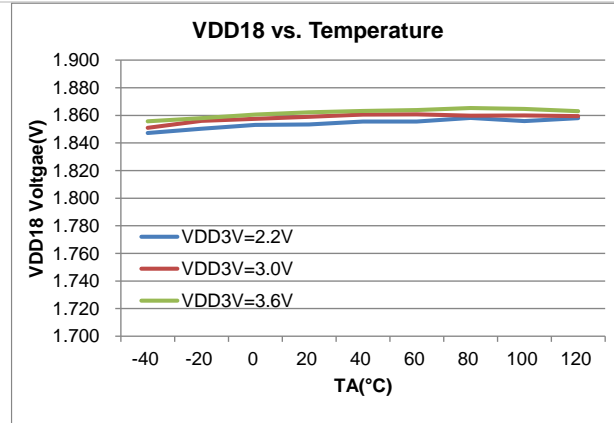


Figure5.3-4 VDD18 vs. Temperature

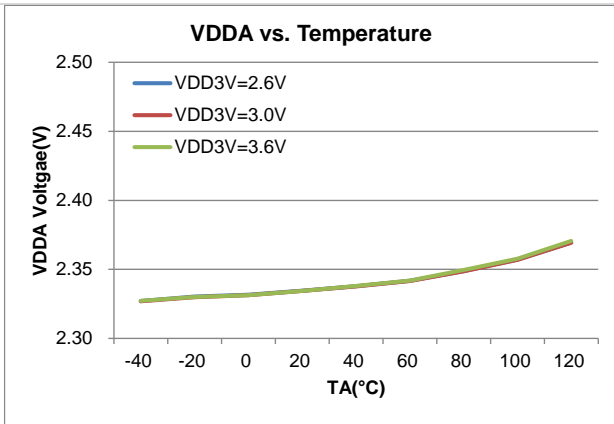


Figure5.3-5 VDDA=2.4V vs. Temperature

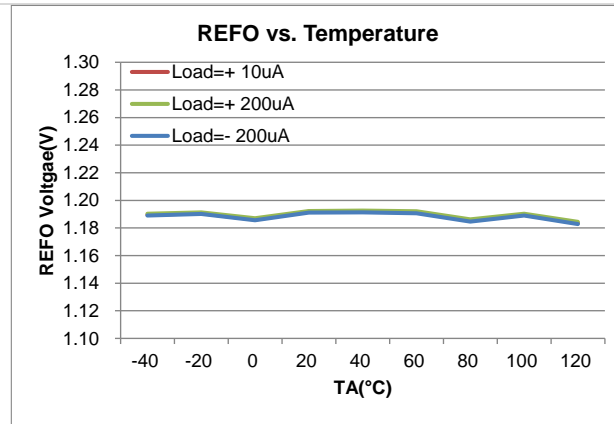


Figure5.3-6 REFO vs. Temperature

### 5.4. Reset Management System

Typical values are at  $T_A=25^\circ\text{C}$  and  $V_{DD3V} = 3.0\text{V}$ . Unless otherwise noted.

Sym.	Parameter	Min.	Typ.	Max.	Unit
BOR	Pulse length needed to accepted reset internally, $t_{d-LVR}$	2			us
	VDD Start Voltage to accepted reset internally (L→H), $V_{LVR}$	1.8	1.95	2.1	V
	VDD Start Voltage to accepted reset internally (H→L), $V_{HYS}$	1.7	1.87	2.05	V
	Temperature drift, $T_A=-40^\circ\text{C}\sim 85^\circ\text{C}$	-50		+50	mV
	Hysteresis, $V_{HYS-LVR}$		80		mV
POR	Operation Slew Rate			0.1	V/us
	Start Voltage to accepted reset	0.6			V

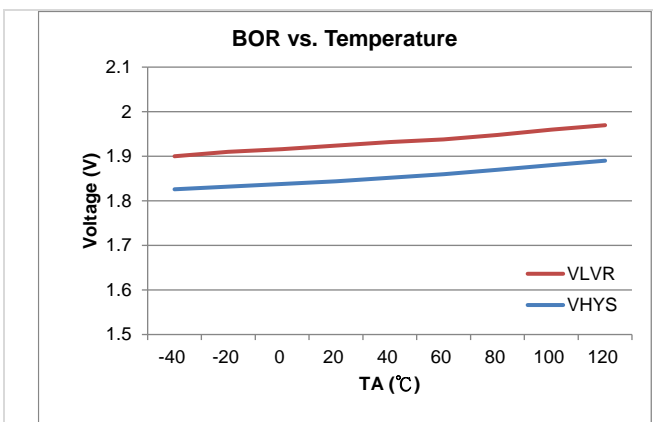


Figure5.4 VLVR and VHYS vs. Temperature



**5.5. GPIO Port**

Typical values are at  $T_A=25^{\circ}\text{C}$  and  $V_{DD3V} = 3.3\text{V}$ . Unless otherwise noted.

Sym.	Parameter	Test Conditions	Min.	Typ.	Max.	Unit
<b>PT 2.0 ~ 3.7 GPIO Port</b>						
$R_{PU}$	Internal pull high resistor		65	85	105	k $\Omega$
$V_{IH}$	Input high voltage		$0.7 \cdot V_{DD3V}$			V
$V_{IL}$	Input low voltage				$0.3 \cdot V_{DD3V}$	V
$I_{OH}$	Source current			10		mA
$I_{OL}$	Sink current			10		mA
<b>PT 6.0 ~ 9.5 GPIO Port</b>						
$V_{IH}$	Input high voltage		$0.6 \cdot V_{DD3V}$			V
$V_{IL}$	Input low voltage				$0.3 \cdot V_{DD3V}$	V
$I_{OH}$	Source current	$V_{DD3V}-0.3\text{V}$		10		mA
$I_{OL}$	Sink current	$V_{SS}+0.3\text{V}$		10		mA

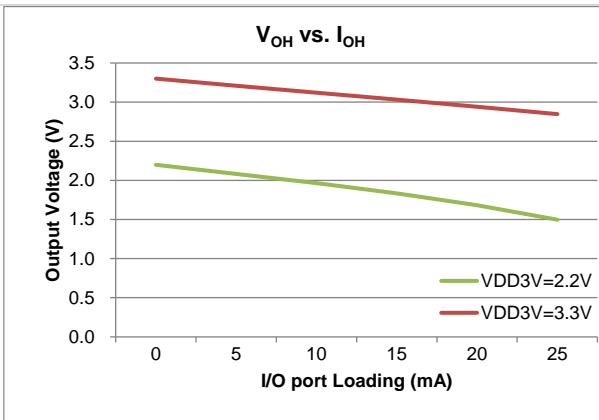


Figure5.5-1 VOH vs. IOH

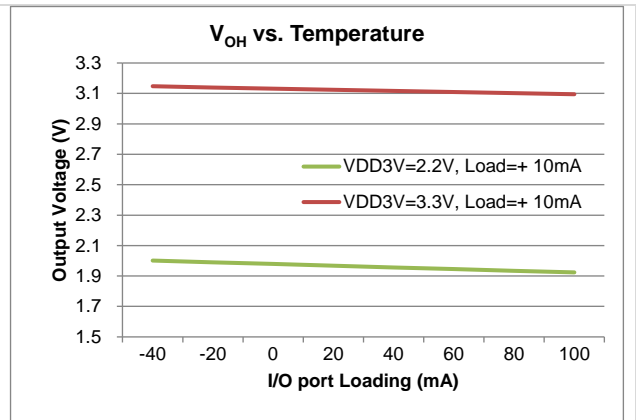


Figure5.5-2 VOH vs. Temperature

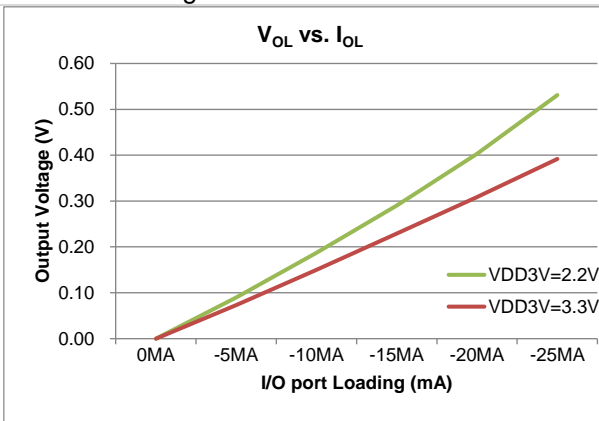


Figure5.5-3 VOL vs. IOL

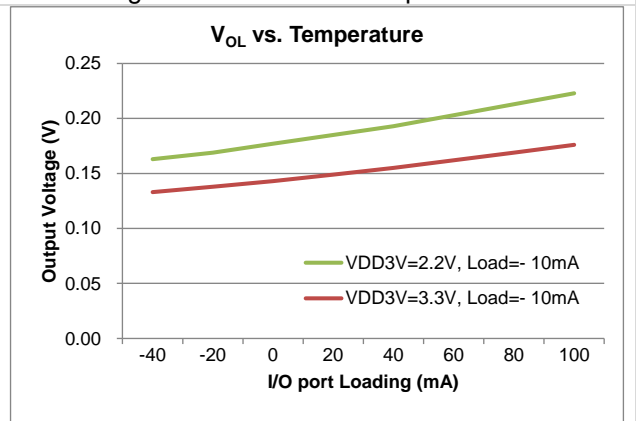


Figure5.5-4 VOL vs. Temperature

**5.6. ΣΔADC ENOB and RMS Noise**

Typical values are at TA=25°C and VDD3V = 3.3V, VDDA=2.4V and HS\_CK=4MHz unless otherwise noted. HY16F3981 provides important input noise specification that aims at ΣΔADC. Table 5.6-1 and Table 5.6-2 lists out the relations of typical noise specification, Gain, Output rate, and maximum input voltage of single end. Test condition configuration and external input signal short, voltage reference: 1.2V and 1024 records were sampled. IA Chopper On means register IACHM=11b.

<b>ENOB(RMS) with OSR/GAIN at A/D Clock=1Mhz, VDDA=2.4V, VREF=1.2V, IA Chopper On</b>															
Max. Vin(mV) =0.9*VREF <sup>(1)</sup>	OSR					64	128	256	512	1024	2048	4096	8192	16384	32768
	Output rate(HZ)					15625	7813	3906	1953	977	488	244	122	61	31
	Gain	=	IA	x	ADGN										
±1080	1	=	off	x	1	15.3	16.9	17.5	18.0	18.3	18.7	19.5	20.2	20.6	21.0
±540	2	=	off	x	2	15.2	16.7	17.3	17.8	18.2	18.8	19.3	19.8	20.2	20.5
±270	4	=	off	x	4	15.2	16.4	17.1	17.5	18.0	18.6	19.0	19.5	19.8	20.2
±135	8	=	off	x	8	14.9	16.1	16.6	17.2	17.6	18.2	18.5	18.9	19.3	19.6
±270	4	=	4	x	1	15.2	16.6	17.1	17.6	17.9	18.4	18.8	19.6	20.2	20.5
±135	8	=	4	x	2	14.8	15.9	16.5	17.0	17.4	17.9	18.4	19.0	19.4	20.0
±67.5	16	=	4	x	4	14.5	15.1	15.7	16.2	16.6	17.1	17.7	18.2	18.6	19.1
±33.75	32	=	4	x	8	13.7	14.2	14.7	15.2	15.7	16.3	16.8	17.2	17.7	18.1
±135	8	=	8	x	1	15.2	16.5	17.0	17.5	18.0	18.4	19.1	19.6	20.0	20.5
±67.5	16	=	8	x	2	14.8	15.9	16.3	16.8	17.3	17.9	18.3	18.9	19.3	19.7
±33.75	32	=	8	x	4	14.3	15.0	15.4	16.0	16.5	17.0	17.5	18.0	18.4	19.0
±16.875	64	=	8	x	8	13.5	14.0	14.5	15.0	15.5	16.0	16.5	17.0	17.5	17.9
±67.5	16	=	16	x	1	15.0	16.1	16.7	17.1	17.5	18.1	18.7	19.1	19.6	20.1
±33.75	32	=	16	x	2	14.5	15.3	15.8	16.3	16.7	17.3	17.8	18.2	18.7	19.3
±16.875	64	=	16	x	4	13.8	14.3	14.9	15.3	15.8	16.4	16.8	17.4	17.8	18.4
±8.4375	128	=	16	x	8	12.8	13.4	13.9	14.4	14.8	15.4	15.9	16.3	16.9	17.4
±33.75	32	=	32	x	1	14.6	15.3	15.9	16.4	16.9	17.4	17.9	18.4	18.9	19.4
±16.875	64	=	32	x	2	13.8	14.4	14.9	15.4	15.9	16.4	16.9	17.5	17.9	18.4
±8.4375	128	=	32	x	4	12.9	13.4	14.0	14.5	14.9	15.5	16.0	16.4	17.0	17.4
±4.21875	256	=	32	x	8	12.0	12.5	12.9	13.5	13.9	14.5	15.0	15.5	16.0	16.4

(1) Max.Vin (mV) is the max. input voltage of single end to ground (VSS).

Table 5.6-1 ΣΔADC ENOB Table

<i>RMS Noise(<math>\mu</math>V) with OSR/GAIN at A/D Clock=1Mhz, VDDA=2.4V, VREF=1.2V, IA Chopper On</i>															
Max. Vin(mV) =0.9*VREF	OSR				64	128	256	512	1024	2048	4096	8192	16384	32768	
	Output rate(HZ)				15625	7813	3906	1953	977	488	244	122	61	31	
	Gain	=	IA	x											ADGN
±1080	1	=	off	x	1	58.85	19.18	12.49	8.86	7.08	5.33	3.24	1.98	1.46	1.11
±540	2	=	off	x	2	31.64	11.13	7.10	5.13	3.92	2.52	1.75	1.28	1.00	0.79
±270	4	=	off	x	4	15.79	6.77	4.29	3.19	2.19	1.52	1.11	0.79	0.64	0.48
±135	8	=	off	x	8	9.30	4.20	2.91	1.98	1.42	1.00	0.79	0.61	0.45	0.38
±270	4	=	4	x	1	15.10	5.99	4.04	3.01	2.31	1.68	1.32	0.75	0.48	0.39
±135	8	=	4	x	2	9.94	4.69	3.25	2.25	1.73	1.21	0.83	0.57	0.42	0.28
±67.5	16	=	4	x	4	6.38	4.09	2.84	1.90	1.48	1.01	0.70	0.49	0.36	0.25
±33.75	32	=	4	x	8	5.56	3.99	2.74	1.93	1.35	0.91	0.65	0.49	0.33	0.26
±135	8	=	8	x	1	7.99	3.15	2.25	1.54	1.14	0.84	0.52	0.36	0.28	0.19
±67.5	16	=	8	x	2	5.05	2.44	1.81	1.26	0.88	0.60	0.45	0.31	0.22	0.17
±33.75	32	=	8	x	4	3.56	2.28	1.66	1.14	0.79	0.55	0.40	0.29	0.20	0.14
±16.875	64	=	8	x	8	3.21	2.23	1.56	1.13	0.78	0.56	0.38	0.28	0.19	0.15
±67.5	16	=	16	x	1	4.57	2.04	1.38	1.03	0.76	0.53	0.35	0.25	0.19	0.13
±33.75	32	=	16	x	2	3.12	1.83	1.29	0.94	0.70	0.46	0.32	0.25	0.17	0.11
±16.875	64	=	16	x	4	2.57	1.79	1.23	0.89	0.62	0.43	0.32	0.22	0.16	0.11
±8.4375	128	=	16	x	8	2.58	1.74	1.21	0.86	0.62	0.43	0.31	0.23	0.15	0.11
±33.75	32	=	32	x	1	3.02	1.76	1.20	0.85	0.61	0.43	0.29	0.21	0.15	0.10
±16.875	64	=	32	x	2	2.54	1.69	1.16	0.82	0.59	0.41	0.30	0.20	0.15	0.10
±8.4375	128	=	32	x	4	2.35	1.65	1.14	0.79	0.58	0.40	0.28	0.21	0.14	0.10
±4.21875	256	=	32	x	8	2.22	1.56	1.16	0.79	0.59	0.39	0.29	0.20	0.14	0.10

Table 5.6 -2 ΣΔADC RMS Table

Note :

The IA measurement input range :

When VDDA=2.4V, BIAS voltage(REFO)=1.2V, input signal=+ /-1080mV

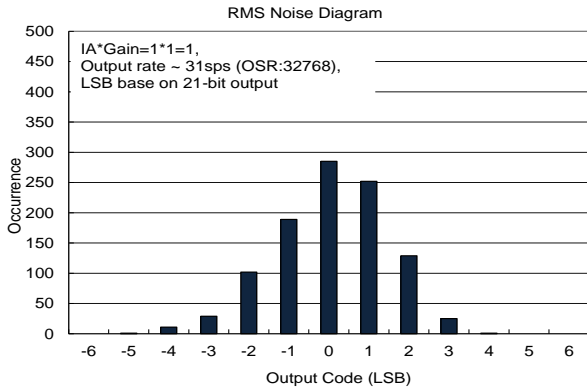


Figure5.6-1(a) RMS Noise Diagram

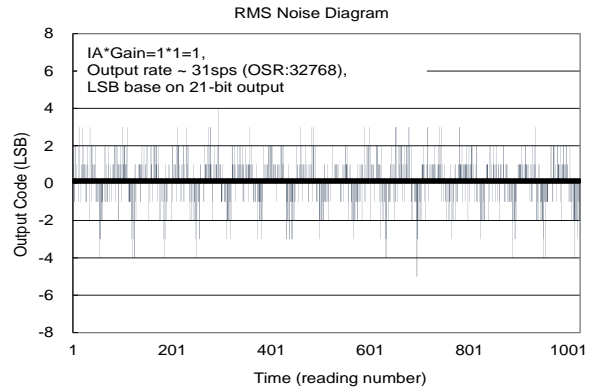


Figure5.6-1(b) Output Code Diagram

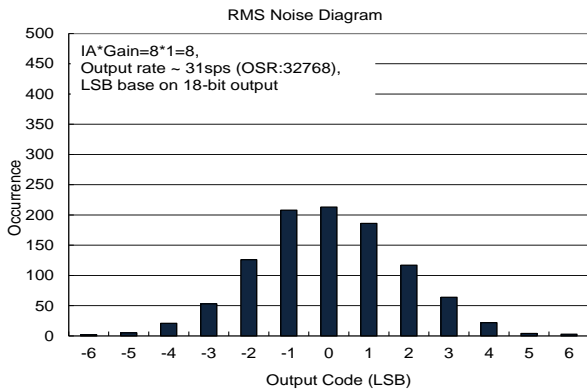


Figure5.6-2(a) RMS Noise Diagram

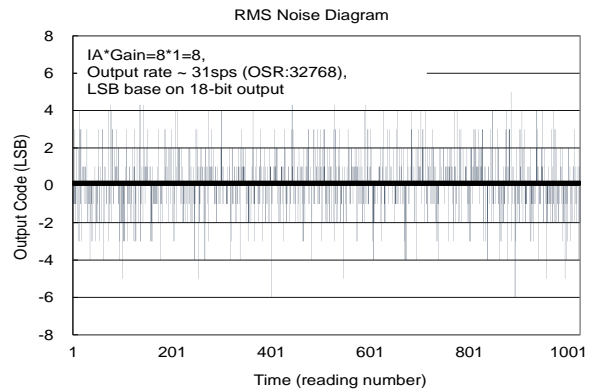


Figure5.6-2(b) Output Code Diagram

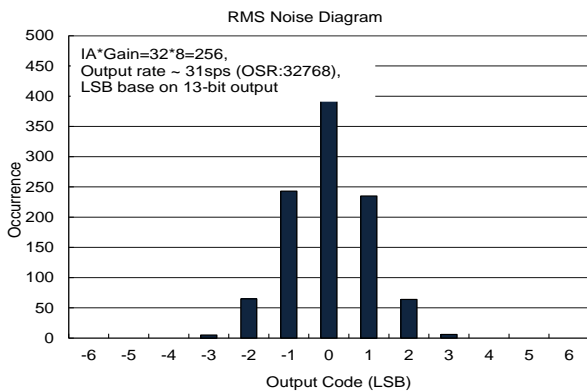


Figure5.6-3(a) RMS Noise Diagram

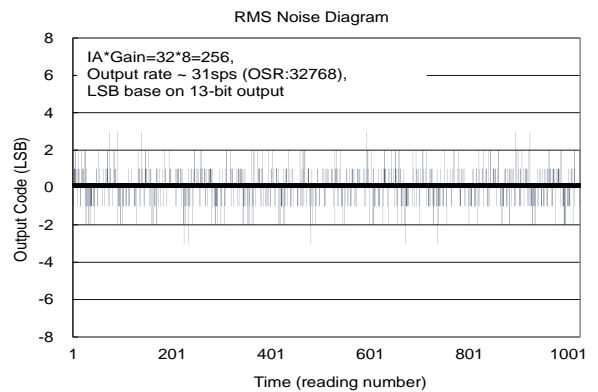


Figure5.6-3(b) Output Code Diagram

### 5.7. ADC Management System

All specifications at  $T_A = -40^\circ\text{C}$  to  $+85^\circ\text{C}$ ,  
 $V_{DDA} = \text{REFP} = 3.0\text{V}$ ,  $\text{REFN} = \text{VSS}$ , Unless otherwise noted.

Sym.	Parameter	Test Conditions	Min.	Typ.	Max.	Unit
<b>Analog Inputs</b>						
	Full-scale input voltage (VINP - VINN) <sup>Note1</sup>	Considering ADC performance matches ADC ENOB table. REFP=VDDA, REFN=VSS VREF be set to 1/2 only	$\pm 0.5 * \text{VREF} / \text{Gain}$			V
		Considering ADC performance matches ADC ENOB table. REFP=REFO_I REFN=VSS VREF be set to 1 only	$\pm \text{VREF} / \text{Gain}$			
	Common-mode input range	Gain = 1, @25°C	VSS-0.2V		VDDA	V
<b>System Performance</b>						
	Resolution	No missing codes		24		Bits
	Data rate			ADC Clock /OSR		SPS
	Digital filter settling time	Full setting		3		Data
	Integral nonlinearity (INL)	Differential input End-point fit, OSR=32768		15		PPM
	ADC Gain drift			2		ppm/ °C
	Normal-mode rejection	$f_{IN} = 60\text{Hz}$ $\pm 1\text{Hz}$ , Output rate = 31 SPS	Internal OSC	70		dB
			External OSC	80		dB
	Common-mode rejection	$\Delta V_{DDA} = 0.1\text{V @ DC}$		80		dB
	Input-referred noise	Output rate= 31 SPS, ADC Gain=1		0.38		uV, rms
	Power-supply rejection	$\Delta V_{DDA} = 0.1\text{V @ DC}$		80		dB
<b>Voltage Reference Input</b>						
	Voltage reference input	$\text{VREF} = \text{REFP} - \text{REFN}$			VDDA	V
	Positive Reference Input	REFP, @25°C	>REFN		VDDA	V
	Negative Reference Input	REFN, @25°C	VSS		<REFP	V
<b>ADC Modulator Current</b>						
ADC	ADC Modulator	$V_{DD3V} = 3.3\text{V}, V_{DDA} = 2.4\text{V}$ , ADC Clock=1Mhz		350		uA
IA	ADC IA	$V_{DD3V} = 3.3\text{V}, V_{DDA} = 2.4\text{V}$		300		uA

Note1 :

When  $\text{REFP} - \text{REFN} (\text{VREF}) = 1 * V_{DDA}$

VINP-VINN, Differential input signal can't more than the  $1/2 * V_{DDA}$ , otherwise occurs the Linearity problem

When  $\text{REFP} - \text{REFN} (\text{VREF}) = 1/2 * V_{DDA}$

VINP-VINN, Differential input signal can't more than the  $0.9 \cdot V_{REF}$ , otherwise occurs the Linearity problem

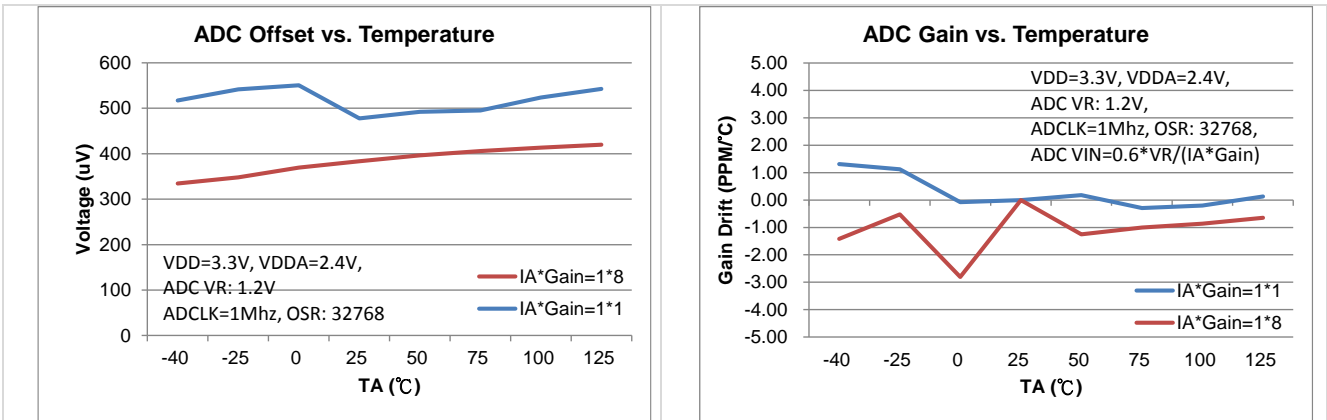


Figure5.7-1 ADC Offset vs. Temperature

Figure5.7-3 ADC Gain Drift vs. Temperature

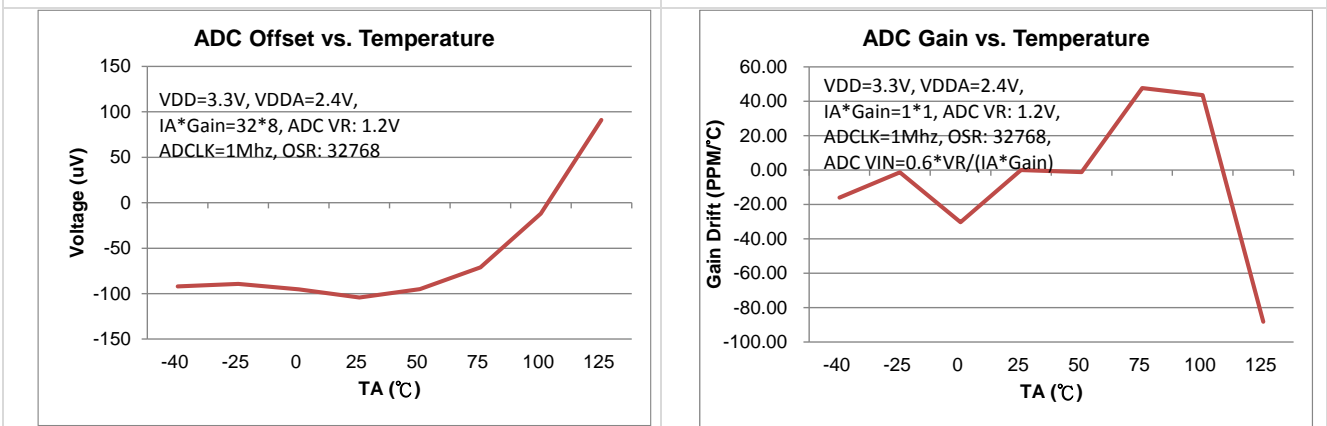


Figure5.7-2 ADC Offset vs. Temperature

Figure5.7-4 ADC Gain Drift vs. Temperature

### 5.8. Internal Temperature Sensor

Typical values are at  $T_A=25^\circ\text{C}$ ,  $V_{DD3V} = 3.0\text{V}$ , and  $V_{DDA}=2.4\text{V}$ . Unless otherwise noted.

Sym.	Parameter	Test Conditions	Min.	Typ.	Max.	Unit
TC <sub>S</sub>	Sensor temperature drift			172		uV/°C
KT	Absolute temperature scale 0°K			-283		°C
TC <sub>ERR</sub>	One point calibrate error temperature	Calibration at 25°C of -40°C~85°C		±2		°C

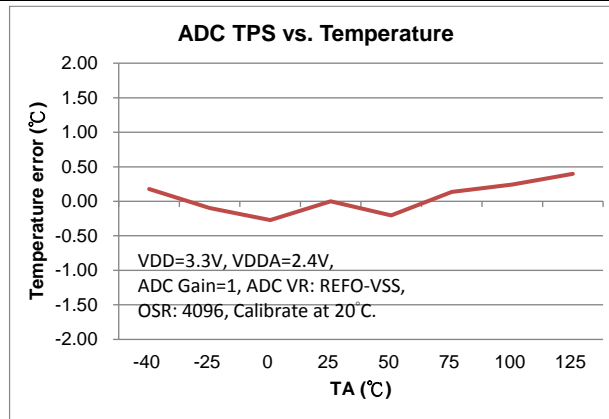


Figure5.8-1 ADC Temperature Sensor Error

**5.9. 12-Bit Resistance Ladders**

Typical values are at  $T_A=25^{\circ}\text{C}$  and  $VDD3V = 3.0\text{V}$ . Unless otherwise noted.

Sym.	Parameter	Test Conditions	Min.	Typ.	Max.	Unit
	Resolution	Monotonic		12		Bit
	Power Supply		2.4		VDDA	V
	Operation current			50		uA
$V_{OUT}$	Output range	DA output is between $V_{R-}$ and $V_{R+}$	0		VDDA	V
$V_{REFP}$	Positive reference voltage range	$V_{REFP} > V_{REFN}$	0		VDDA	V
$V_{REFN}$	Negative reference voltage range		0		VDDA	V
$R_{ON}$	12-Bit Resistance ladders. output switch(DAOE switch resistance)	$VDDA=2.4\text{V}$ $0.5\text{V} < \text{DAO} < VDDA-0.5\text{V}$			200	$\Omega$
		$VDDA=2.4\text{V}$ $0.5\text{V} > \text{DAO}$ , $\text{DAO} > VDDA-0.5\text{V}$		10		$\Omega$
$R_{RSW}$	Reference voltage switch( $V_{refp}$ switch resistance, $V_{refn}$ switch resistance)	$V_{REFP} = 2.2\text{V}$ , $V_{REFN} = 0\text{V}$ , $VDDA = 2.4\text{V}$		15	30	$\Omega$
$R_{LADDER}$	One LSB resistance ladder		170	200	230	$\Omega$
INL	Integral linearity error	$V_{R+} = 2.4\text{V}$ , $V_{R-} = 0\text{V}$		$\pm 3$		LSB
DNL	Differential linearity error	$V_{R+} = 2.4\text{V}$ , $V_{R-} = 0\text{V}$			$\pm 1$	LSB
$E_{OS}$	Offset error	$V_{R+} = 2.4\text{V}$ , $V_{R-} = 0\text{V}$			1	LSB
12-Bit Resistance Ladders.	( $V_{in}$ Floating)	$VDD3V=3.3\text{V}$ , $VDDA=2.4\text{V}$		0.1		uA

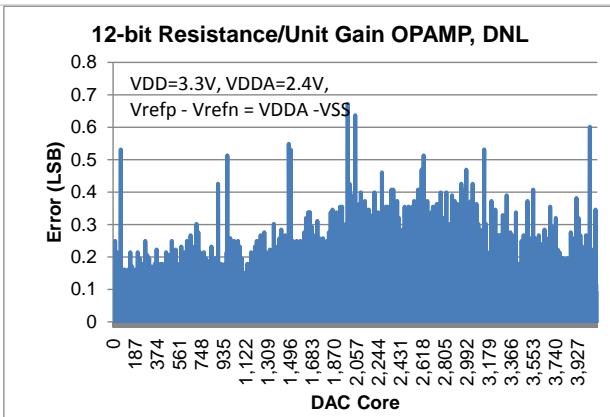


Figure5.9-1 12-Bit Resistance DNL

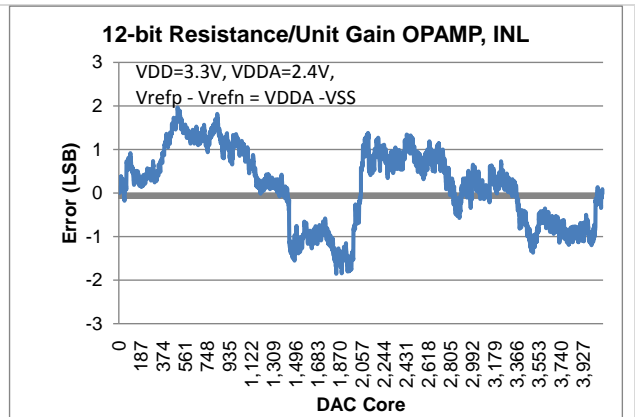


Figure5.9-2 12-Bit Resistance INL

### 5.10. Rail to Rail OPA Management System

Typical values are at  $T_A=25^{\circ}\text{C}$ ,  $V_{DD3V} = 3.0\text{V}$ , and  $C_{VLCD}=10\mu\text{F}$ . Unless otherwise noted.

Sym.	Parameter	Test Conditions	Min.	Typ.	Max.	Unit
VDDA	Power supply		2.4		3.6	V
V <sub>OUT</sub>	Output range		0		VDDA	V
V <sub>IN</sub>	Input common range		0		VDDA	V
I <sub>OPA</sub>	OPAMP current			120		uA
I <sub>OPA_LOAD</sub>	Output current loading (push or pull)	VDDA = 3.0V, 0.3V < Output voltage < VDDA-0.3V			1	mA
		VDDA = 2.4V, 0.3V < Output voltage < VDDA-0.3V			0.5	mA
C <sub>LOAD</sub>	Max output capacitor load				1	nF
SR	Slew rate	Loading R=10K, C=100pF, 0.3V to VDDA-0.3V		0.6		V/us
UGB	Unit gain bandwidth	Loading C=100pF		1000		KHz
V <sub>OS</sub>	Offset error	V <sub>in</sub> = 1.2V	-5		+5	mV
DFD	Digital filter delay	VDDA = 3.0V		2		us
C <sub>SA</sub>	Sample capacitor			10		pF



**5.11. LVD Comparator Management System**

Typical values are at TA=25°C and VDD3V = 3.0V. Unless otherwise noted.

Sym.	Parameter	Test Conditions	Min.	Typ.	Max.	Unit	
LVD	Operation current, I <sub>V12_BOR</sub>			1		uA	
	Operation current, I <sub>V12_BGR</sub>			10		uA	
	V12_BOR Reference Voltage		1.1	1.2	1.3	V	
	V12_BOR Reference Voltage Temperature drift			50		PPM/°C	
	V12_BOR Reference Voltage to VDD3V Voltage drift			±2		%/V	
	V12_BGR Reference Voltage		1.15	1.2	1.25	V	
	V12_BGR Reference Voltage Temperature drift			50		PPM/°C	
	V12_BGR Reference Voltage to VDD3V Voltage drift			±0.2		%/V	
	Compare reference voltage temperature drift, T <sub>A</sub> = -40°C ~ 85 °C				50		ppm/°C
	Detect V <sub>DD3V</sub> voltage rang by user option, V <sub>SVS</sub> VLDS [3:0]=1111b				3.4		V
	Detect V <sub>DD3V</sub> voltage rang by user option, V <sub>SVS</sub> VLDS [3:0]=1110b				3.3		
	Detect V <sub>DD3V</sub> voltage rang by user option, V <sub>SVS</sub> VLDS [3:0]=1101b				3.2		
	Detect V <sub>DD3V</sub> voltage rang by user option, V <sub>SVS</sub> VLDS [3:0]=1100b				3.1		
	Detect V <sub>DD3V</sub> voltage rang by user option, V <sub>SVS</sub> VLDS [3:0]=1011b				3.0		
	Detect V <sub>DD3V</sub> voltage rang by user option, V <sub>SVS</sub> VLDS [3:0]=1010b				2.9		
	Detect V <sub>DD3V</sub> voltage rang by user option, V <sub>SVS</sub> VLDS [3:0]=1001b				2.8		
	Detect V <sub>DD3V</sub> voltage rang by user option, V <sub>SVS</sub> VLDS [3:0]=1000b				2.7		
	Detect V <sub>DD3V</sub> voltage rang by user option, V <sub>SVS</sub> VLDS [3:0]=0111b				2.6		
	Detect V <sub>DD3V</sub> voltage rang by user option, V <sub>SVS</sub> VLDS [3:0]=0110b				2.5		
	Detect V <sub>DD3V</sub> voltage rang by user option, V <sub>SVS</sub> VLDS [3:0]=0101b				2.4		
	Detect V <sub>DD3V</sub> voltage rang by user option, V <sub>SVS</sub> VLDS [3:0]=0100b				2.3		
	Detect V <sub>DD3V</sub> voltage rang by user option, V <sub>SVS</sub> VLDS [3:0]=0011b				2.2		
	Detect V <sub>DD3V</sub> voltage rang by user option, V <sub>SVS</sub> VLDS [3:0]=0010b				2.1		
Detect V <sub>DD3V</sub> voltage rang by user option, V <sub>SVS</sub> VLDS [3:0]=0001b				2.0			
Detect V <sub>DD3V</sub> voltage rang by user option, V <sub>SVS</sub> VLDS [3:0]=0000b				LVDIN			

LVD : Low Voltage Detect

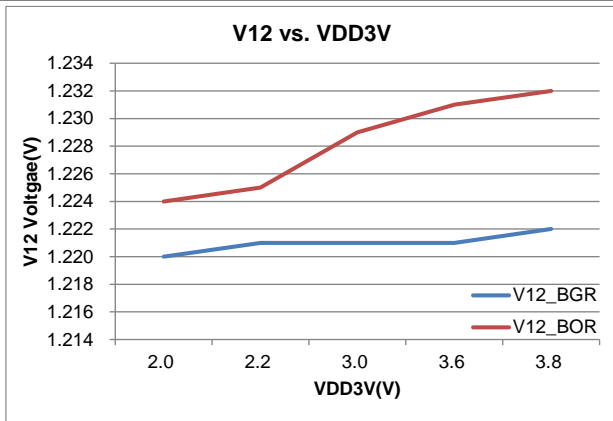


Figure5.11-1 V12 vs. VDD3V

**5.12. LCD System**

Typical values are at TA=25°C, VDD3V = 3.3V, and CVLCD=10uF. Unless otherwise noted.

Sym.	Parameter	Test Conditions		Min.	Typ.	Max.	Unit
I <sub>LCD</sub>	Operation Current Charge Pump Mode		W/O Panel		10		uA
VLCD	Supply Voltage Range	VLCD	With Buffer	2.50		3.80	V
VLCD	Embedded Charge Pump Output Voltage @ VLCD Pin	VDD3V = 2.4V CVLCD = 10uF	Mode1: Da- ta <sup>1</sup> =00_011B (After trim) <sup>Note1</sup>	-5%	3.43	+5%	V
			Mode1: Da- ta <sup>1</sup> =00_011B	-10%	3.30	+10 %	
			Mode2: Data <sup>1</sup> =00_100B (After trim) <sup>Note1</sup>	-5%	3.16	+5%	
			Mode2: Data <sup>1</sup> =00_100B	-10%	3.00	+10 %	
			Mode3: Data <sup>1</sup> =00_101B (After trim) <sup>Note1</sup>	-5%	2.93	+5%	
			Mode3: Data <sup>1</sup> =00_101B	-10%	3.00	+10 %	
			Mode4: Da- ta <sup>1</sup> =11_101B (After trim) <sup>Note1</sup>	-5%	2.73	+5%	
			Mode4: Da- ta <sup>1</sup> =11_101B	-10%	2.80	+10 %	
			Mode5: Da- ta <sup>1</sup> =01_101B (After trim) <sup>Note1</sup>	-5%	2.55	+5%	
			Mode5: Da- ta <sup>1</sup> =01_101B	-10%	2.6	+10 %	
Z <sub>LCD</sub>	Output Impedance With LCD Buffer	F <sub>LCD</sub> = LS_CK/32/9, VLCD = 3.16V			10		KΩ

Data1 Bit: 0X41B10 [EN\_Rshift1, EN\_Rshift0], 0X41B00 [VLCD2, VLCD1, VLCD0]

Note1 :

After Trim : According to the factory calibration parameters of VLCD to calibrate VLCD, and need to corresponding to the selected VLCD voltage. User can refer to the document “UG-HY16F3981\_EN” to know how to use that in detail.

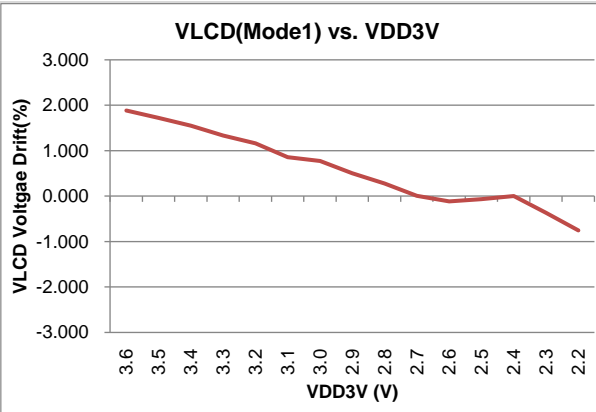


Figure5.12-1 VLCD(Mode1) vs. VDD3V

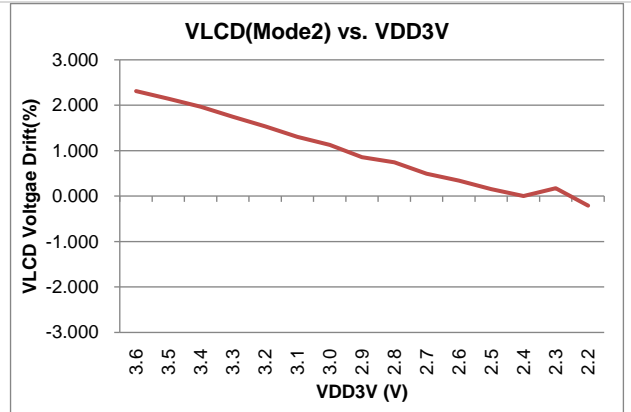


Figure5.12-2 VLCD(Mode2) vs. VDD3V

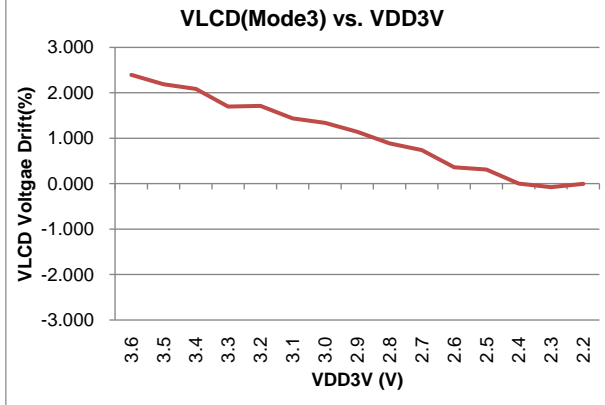


Figure5.12-3 VLCD(Mode3) vs. VDD3V

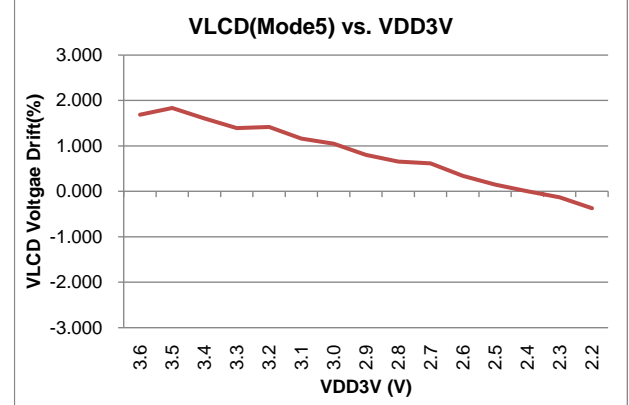


Figure5.12-5 VLCD(Mode5) vs. VDD3V

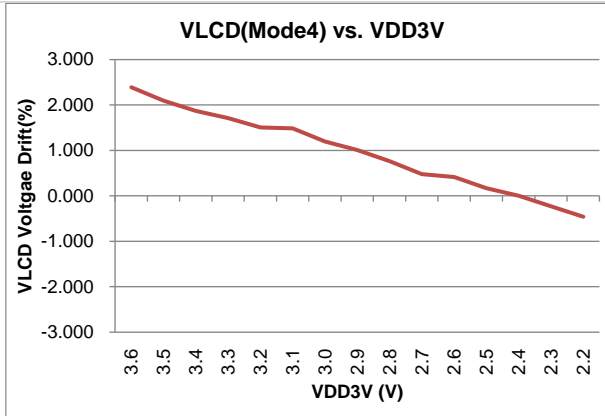


Figure5.12-4 VLCD(Mode4) vs. VDD3V

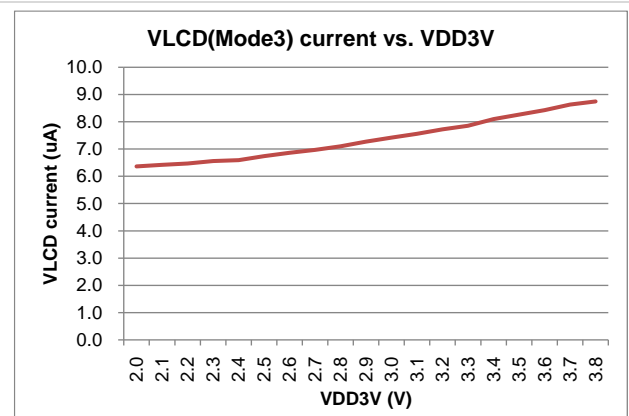


Figure5.12-6 VLCD current vs. VDD3V

## 6. Ordering Information

### 6.1. HY16F3981 Series Device No. Selection

Order Name	Package Type	Pin	PKG Type		Code No. <sup>2</sup>	Shipment Type	Quantity Per Package	Material	MSL <sup>3</sup>
			Description						
HY16F3981-D000	Die	-	D	000	-	-		Green <sup>4</sup>	-
HY16F3981-L064	LQFP	64	L	064	-	Tray	250	Green <sup>4</sup>	MSL-3
HY16F3981-E028	SSOP	28	E	028	000	Tube	48	Green <sup>4</sup>	MSL-3
HY16F3981-E028	SSOP	28	E	028	000	Tape & Reel	2000	Green <sup>4</sup>	MSL-3

<sup>1</sup> Device No.: Model No. – Package Type Description

**HY16F3981-L064**

IC part  
Number                      IC PKG Type

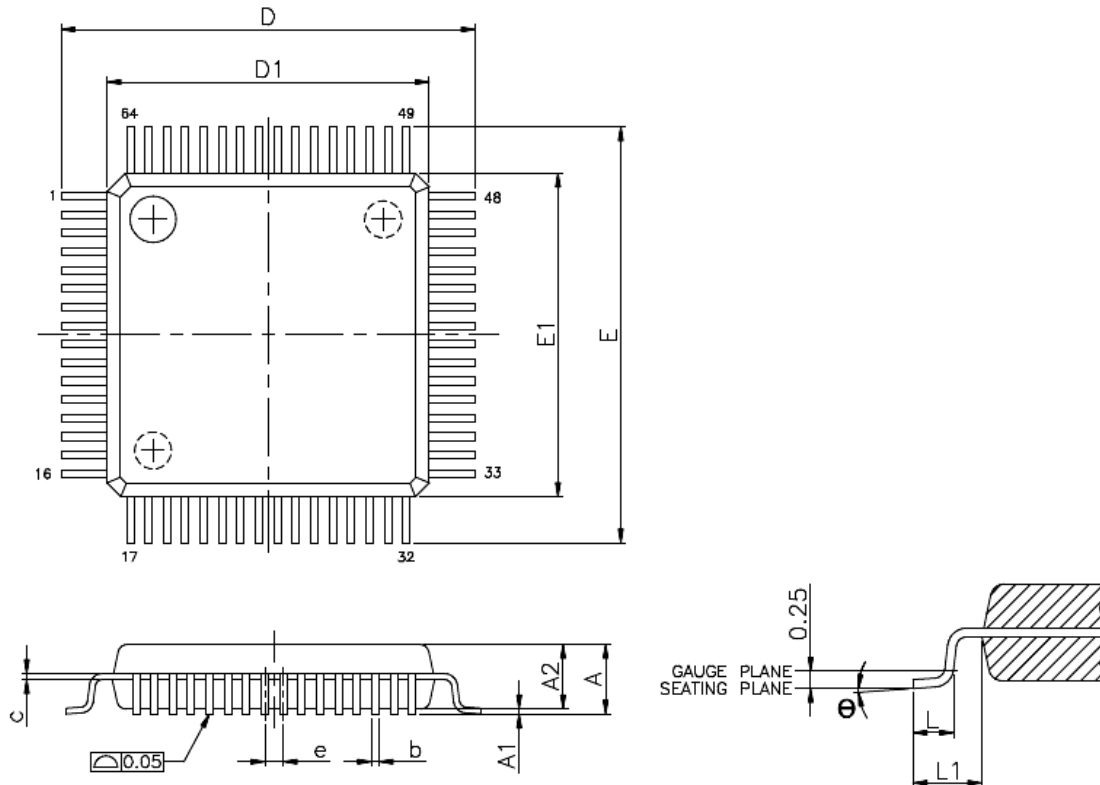
EX : You request in LQFP 64 package.  
 The device No. will be HY16F3981-L064.  
 And please clearly indicate the shipment packing type when placing orders.

<sup>3</sup> MSL:  
 The Moisture Sensitivity Level ranking conforms to IPC/JEDEC J-STD-020 industry standard categorization.  
 The products are processed, packed, transported and used with reference to IPC/JEDEC J-STD-033.

<sup>4</sup> Green (RoHS & no Cl/Br):  
 HYCON products are Green products that compliant with RoHS directive and are Halogen free (Br<900ppm or Cl<900ppm or (Br+Cl)<1500ppm)

## 7. Package Information

### 7.1. LQFP 7\*7 64L(L064) Dimensions



VARIATIONS (ALL DIMENSIONS SHOWN IN MM)

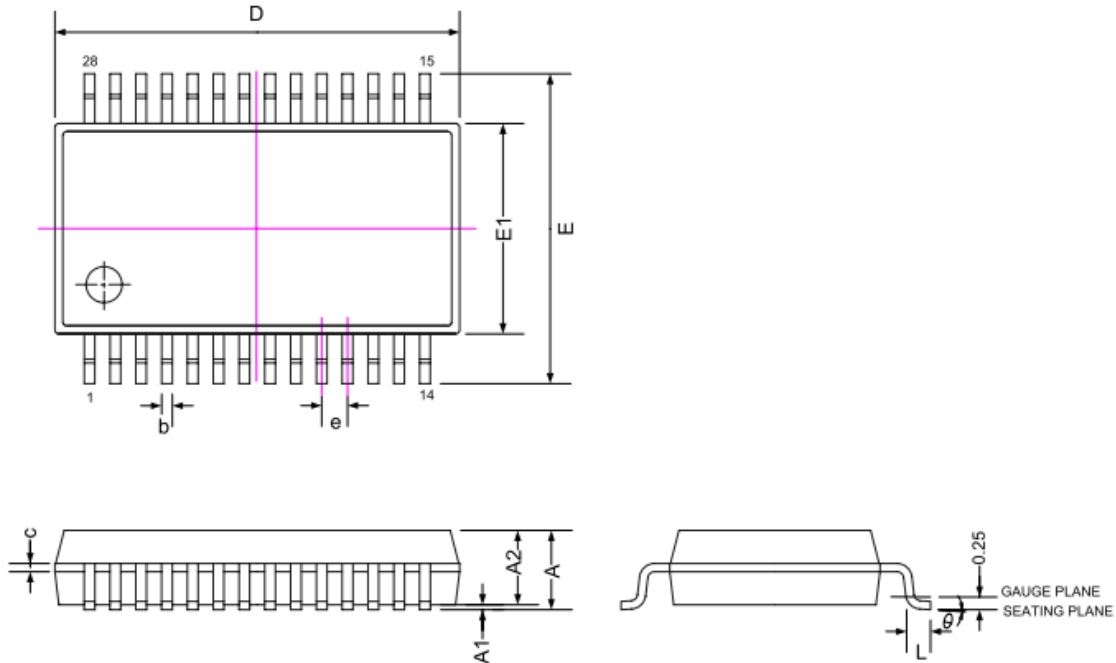
SYMBOLS	MIN.	NOM.	MAX.
A	—	—	1.60
A1	0.05	—	0.15
A2	1.35	1.40	1.45
b	0.13	0.18	0.23
c	0.09	—	0.20
D	9.00 BSC		
D1	7.00 BSC		
e	0.40 BSC		
E	9.00 BSC		
E1	7.00 BSC		
L	0.45	0.60	0.75
L1	1.00 REF		
$\theta$	0°	3.5°	7°

**Note:**

1. All dimensions refer to JEDEC OUTLINE MS-026.
2. Do not include Mold Flash or Protrusions.
3. Unit: mm.

## 7.2. SSOP28 (209mil) Dimensions

### 7.2.1. 7.2.1 Package Dimensions



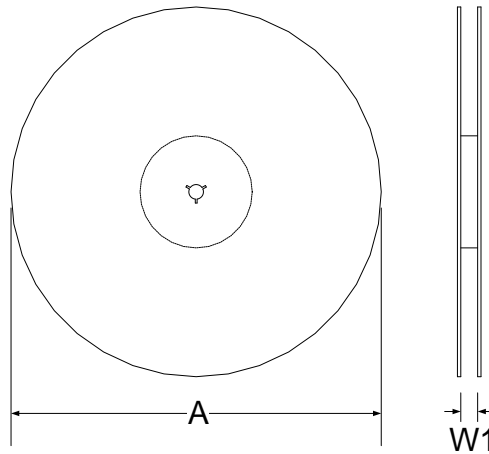
SYMBOLS	MIN	NOM	MAX
A	-	-	2.00
A1	0.05	-	-
A2	1.65	1.75	1.85
b	0.22	-	0.38
c	0.09	-	0.25
D	10.05	10.20	10.50
E1	5.00	5.30	5.60
E	7.65	7.80	7.90
L	0.55	0.75	0.95
e	0.65 BASIC		
$\theta^\circ$	0	4	8

**Note:**

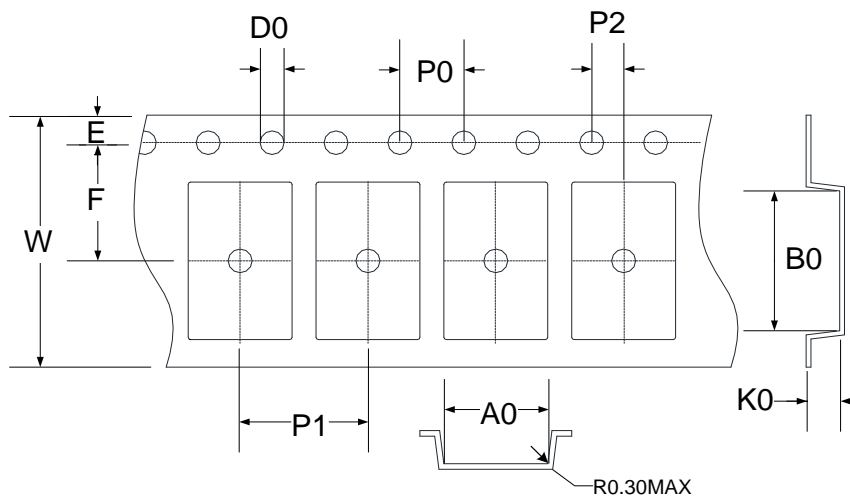
1. All dimensions refer to JEDEC OUTLINE MO-150.
2. Do not include Mold Flash or Protrusions.
3. Unit: mm.

**7.2.2. Tape & Reel Information**

**Reel Dimensions**



**Carrier Tape Dimensions**

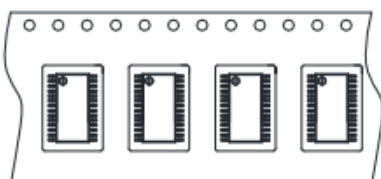


SYMBOLS	Reel Dimensions		Carrier Tape Dimensions									
	A	W1	A0	B0	K0	P0	P1	P2	E	F	D0	W
Spec.	330	24.5	8.40	10.65	2.40	4.00	12.00	2.00	1.75	11.50	1.50	24.00
Tolerance	+6/-3	+1.5/-0	±0.10	±0.10	±0.10	±0.10	±0.10	±0.10	±0.10	±0.10	+0.1/-0	±0.30

Unit: mm

Note: 10 Sprocket hole pitch cumulative tolerance is  $\pm 0.20mm$ .

**7.2.2.3 Pin1 direction**



## 8. Revision Record

Major differences are stated thereafter:

Version	Page	Revision Summary	Date
V04	ALL	Synchronize Chinese version 04	2017/08/14
V05	ALL	<ol style="list-style-type: none"> <li>1. Remove PT3.2 &amp; PT3.3 Multiplexing pin function, only to retain AIO4 &amp; AIO5 analog function.</li> <li>2. Modify 5.5 sections RPU (Internal pull high resistor) Specifications.</li> <li>3. Added 5.9 sections RLADDER (One LSB resistance ladder) Specifications. Increase the upper and lower limits of the RLADDER parameter</li> <li>4. Modify 5.9 sections RON Test Conditions description.</li> <li>5. Modify the 12-bit Resistance Ladder network diagram and added the electrical specifications.</li> <li>6. Modify ADC network diagram</li> <li>7. Modify ADC ENOB(RMS) and RMS noise Table</li> </ol>	2017/10/13
V06	ALL	<ol style="list-style-type: none"> <li>1. Added SSOP28 non-support LCD function application circuit (IR measurement application and blood pressure sensor application)</li> <li>2. Remove HW I2C function.</li> <li>3. Modify positive reference input and Negative reference Input range description</li> <li>4. Added IA measurement input range</li> <li>5. Added VDDA Voltage1~4 register description</li> <li>6. Added Note1, ADC differential input range limitation</li> </ol>	2018/05/25
V07	ALL	<ol style="list-style-type: none"> <li>1. Add HW I2C function.</li> <li>2. Add PT3.2 &amp; PT3.3 Multiplexing pin function.</li> <li>3. Add description on the characterization of the Flash ROM.</li> <li>4. Add description on the VLCD, 5-stage VLCD voltage can be provided through a calibration VLCD trim function.</li> <li>5. Revise block diagram and LVD voltage.</li> <li>6. Revise IR application circuit. (RF resistance change to 100k, Add the switch between REFO and AI1)</li> <li>7. Revise Timer B block diagram (TBCLK correct to TBCK, TMBC0/TMBC1/TMBC2 correct to TBC0/TBC1/TBC2, ENTMB correct to TBEN)</li> <li>8. Revise Timer B2 block diagram (TB2CLK correct to TB2CK, TMB2C0/TMB2C1/TMB2C2 correct to TB2C0/TB2C1/TB2C2, ENTMB2 correct to TB2EN)</li> <li>9. Revise Timer C block diagram (ENTMC correct to TCEN)</li> </ol>	2021/05/12